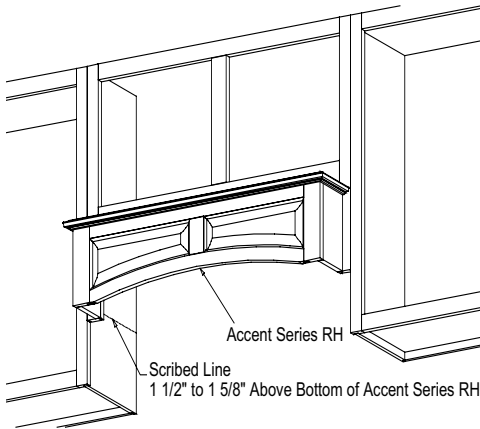


INSTALLATION INSTRUCTIONS FOR OMEGA NATIONAL PRODUCTS ACCENT SERIES RANGE HOOD AND LINER

Before installation may begin, the following components are required:

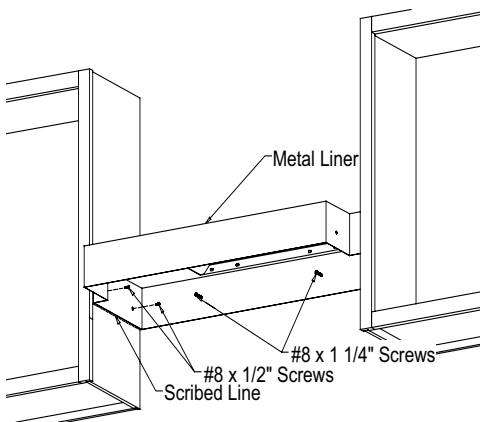
- Power Unit (see section C)
- Ducting System



A. The Range Hood is composed of three separate components:

1. The Decorative Wood Hood Front.
2. T-shaped Metal Liner (Shipped with Rangehood)
3. The ventilation system (power module and ducting system) is not included and must be purchased separately.

B. Installation: Metal Liner – T-Shaped



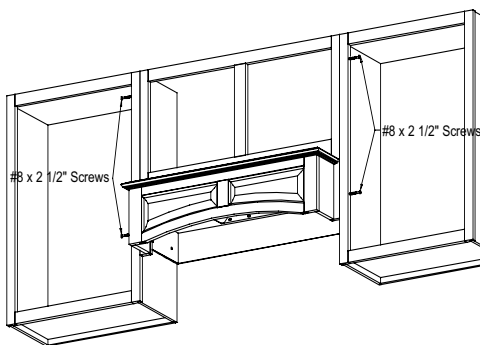
1. Place the Accent Series Range Hood between cabinets at the desired height, make sure the cabinet face frames are parallel and evenly spaced at 30" or 36" depending on Rangehood.
2. Mark the location of the bottom of the Wood Hood on both cabinets and then remove it to install the Metal Liner.
3. Measure up 1 1/2" to 1 5/8" above the marks made earlier and scribe a level line horizontally front to back on the sides of the cabinets.
4. Raise Metal Liner so that bottom edge of liner is level with scribed lines. Use four (4) #8 x 1/2" screws provided to attach liner to adjacent cabinets through pre-drilled holes in liner. (If metal liner is not flush to cabinet sidewalls, it may be necessary to use a filler piece to avoid bowing the liner.) Locate studs and place two #8 x 1 1/4" screws through the rear of liner.

C. Installation Power Units

The following Power Units can be used with the Accent Wood Hood and liner:

RHVBF10SM, RHVB10WH, RHVBB20SM, RHVBB30SS, or RHVBH2 Housing (for use with RHVBHLB11 or RHVB336 Power Modules)

These are sold through Omega National Products and come with installation instructions.



D. Installation of Accent Series Range Hood

1. Slide decorative hood front into position over T-Shaped liner and between adjacent cabinets. Install the hood front by adjoining to adjacent cabinets through the front frames using (4) #8 x 2 1/2" screws (not provided).

Source for all parts listed:

Your local distributor