

\*\*\* CUSTOMER APPROVAL \*\*\*

SIGNED:

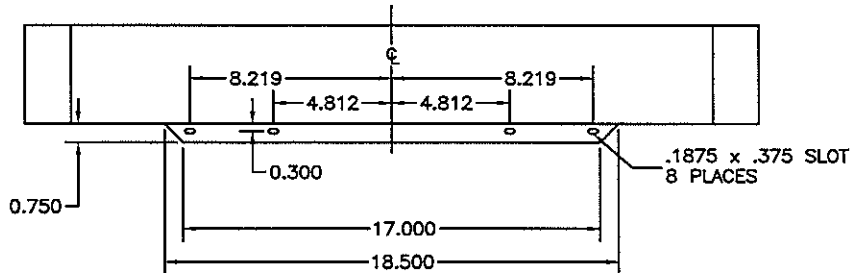
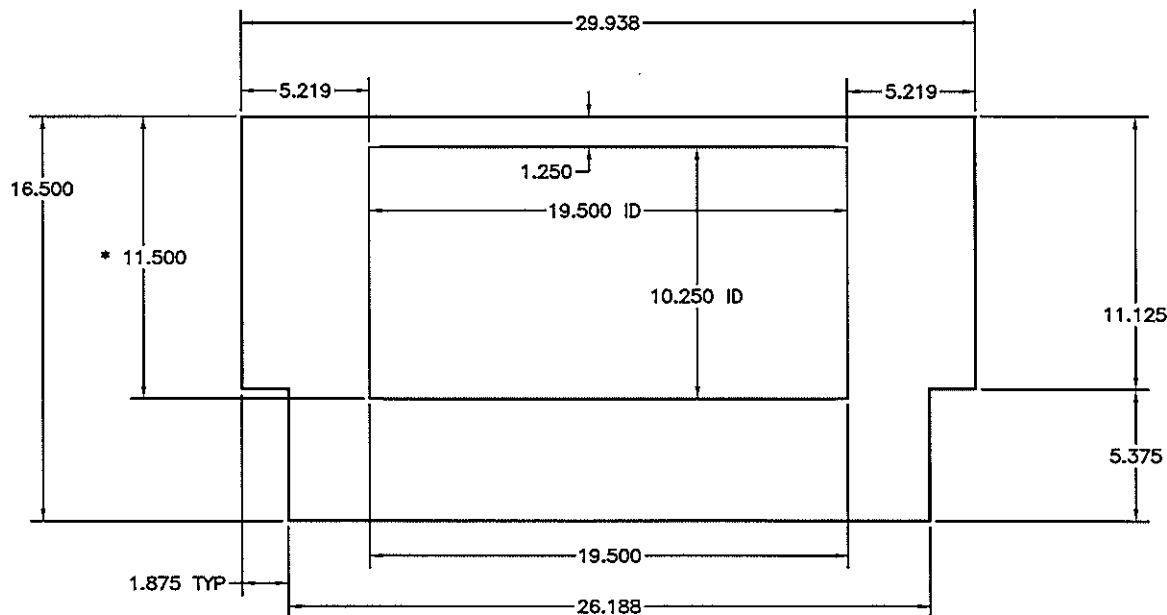
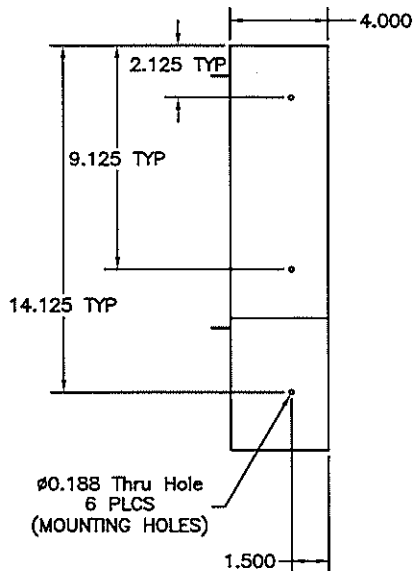
DATE:

NOTES:

16.500 X 30.000 RANGE HOOD LINER

- NOTES:  
 - STARRED(\*) DIMENSION IS TAKEN FROM THE BACK WALL BUT NOT INCLUDING THE MATERIAL THICKNESS  
 - MATERIAL THICKNESS RANGE IS .021-.030" (23 TO 24 GAUGE, BASED ON U.S. STD. SHEET METAL GA.)

(INSIDE VIEW OF LINER)



◆◆kitchensource.com  
 ☎ 1.800.667.8721



**Omega National**  
 PRODUCTS

1010 Rowe Street • Elkhart, Indiana, USA 46516-5589  
 Phone (574)295-5353 • Fax (574)295-5329  
 www.omeganationalproducts.com

SCALE: None	MATERIAL: Stainless, HR or CR Steel	TOL: ±0.062"
THIS MATERIAL IS THE CONFIDENTIAL PROPERTY OF OMEGA NATIONAL PRODUCTS, LLC AND CONTAINS VALUABLE INFORMATION AND DATA THAT MAY NOT BE DUPLICATED, DISCLOSED OR GIVEN IN ANY FORM TO ANYONE WITHOUT PRIOR WRITTEN AUTHORIZATION FROM AN OFFICER OF THE COMPANY. THE INFORMATION AND DATA CONTAINED IN THIS MATERIAL COMPRISE TRADE SECRETS AND ARE PROTECTED UNDER FEDERAL AND STATE LAWS THAT PROVIDE FOR CIVIL AND CRIMINAL PENALTIES. IF YOU HAVE RECEIVED THIS MATERIAL UNINTENTIONALLY, PLEASE TREAT IT AS CONFIDENTIAL AND NOTIFY OMEGA NATIONAL PRODUCTS, LLC IMMEDIATELY BY CALLING 574-295-5353.	DRAWN: MG	APPRVD:
	DATE: 03/22/2007	
NOTES: Customer Part Specifications		
DESC: 30" RH LINER NOTCHED	PART#: 090654----	
DWG: 090654	REV: B	PAGE: 01