

COMING FOR ONP HOOD PROGRAM



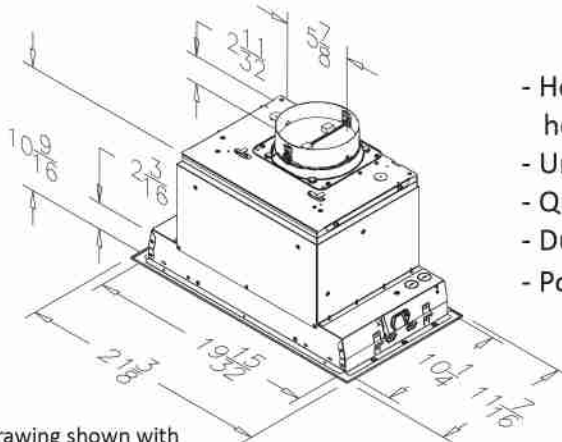
Omega National  
P R O D U C T S

## RHVB400SS Ventilator



- Stainless Steel finish
- Energy Star rated
- 3-speed rotary switch
- Max CFM: 450 (pre-installation)

- HVI certified CFM: 400 on High (3-1/4 x 10 rectangular duct); 390 on High (6" round duct)
- Sones on High: 6 on High speed
- Bright LED Lights (2 modules):  
Wattage: 2.8 W  
CCT (color temp.): 3,000K  
Lumens: > 250  
Rated Life: > 25,000 hrs.
- Heat Sentry automatically turns unit on when excessive heat is detected.
- Unit has Master On-Off switch (to meet future standards)
- Quick-release aluminum mesh filter (dishwasher safe)
- Ducting: Vertical 6" round or 3-1/4" x 10"
- Power requirements: 120 VAC, 60 Hz – 2.3 AMPS



Drawing shown with round adapter