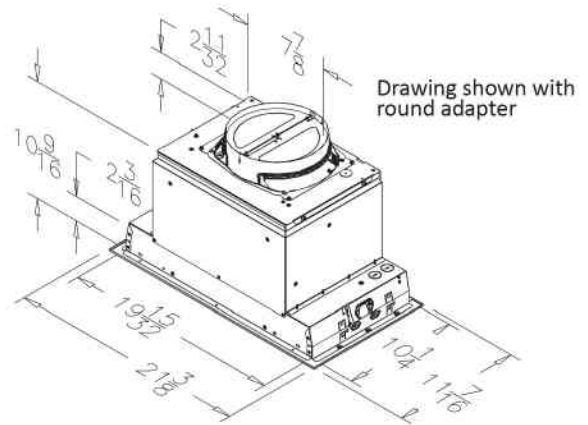




Omega National
PRODUCTS

RHVB600SSV Ventilator



- Stainless Steel finish
- 4-speed Electronic Soft Touch control buttons
- Max CFM: 650 (pre-installation)
- HVI certified CFM: 600 on High (with 8" round duct); 580 on High (3-1/4 x 10" duct)
- Sones: 9.5 on speed 4 (high); 3.3 on speed 3
- Bright LED Lights, 3-Level (2 modules):
 - Wattage: 3W
 - CCT (color temp.): 3,000K
 - Lumens: > 300
 - Rated Life: > 25,000 hrs.
- Baffle-Style quick-release filter – dishwasher safe
- Auto-Sensing feature (when activated) sets CFM to correct level for what is being prepared on cooktop.
- Wifi enabled feature allows for voice control using Alexa/Google, if desired.
- Heat Sentry automatically turns unit on when excessive heat is detected.
- CRT (Code-Ready Technology) allows you to change CFM to 400 or 300 CFM at installation, allowing the ventilator to conform to make-up air code requirements, where applicable.
- Unit has Master On-Off switch (to meet future CSA standards)
- Ducting: 8" round, 6" round or 3-1/4" x 10"
- Power requirements: 120 VAC, 60 Hz - 4.0 AMPS