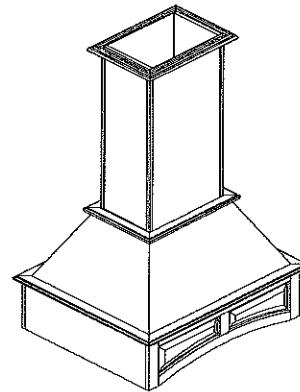
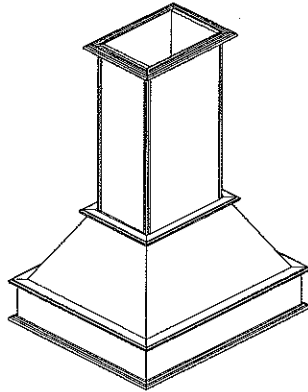




Omega National P R O D U C T S

Island Wood Range Hood

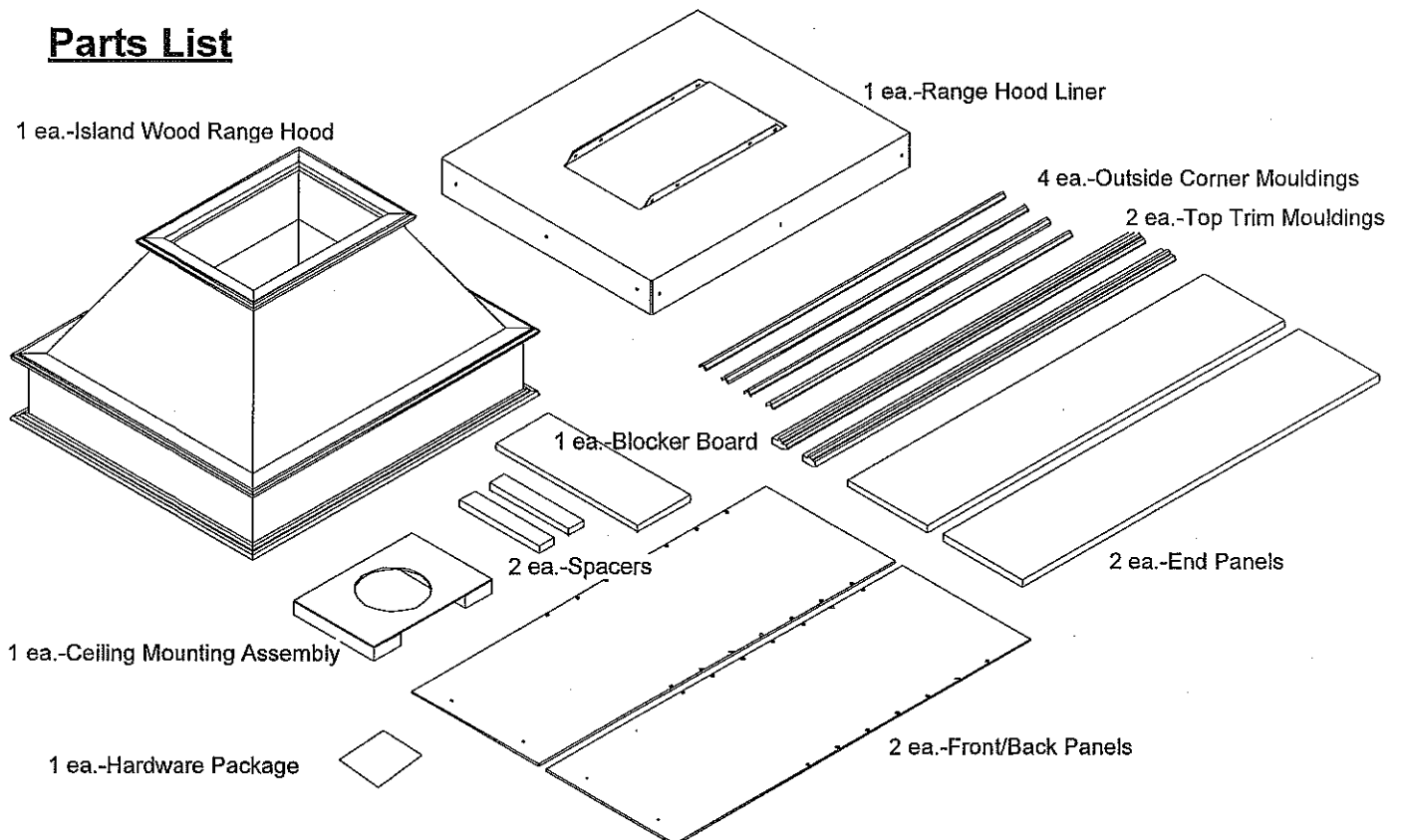


Patent Pending

Important Notes

- Always read the instructions completely and carefully before beginning assembly.
- Remove and check contents for damage and/or missing parts. Keep the original cartons and packing materials, which are required for any authorized adjustment by our dealers.
- These instructions are for reference only. Make sure installation procedures comply with all applicable building codes in your area.
- Installer assumes all responsibility for safe and secure installation. Deviation from these installation instructions negates Omega National Products of all responsibility and liability.

Parts List

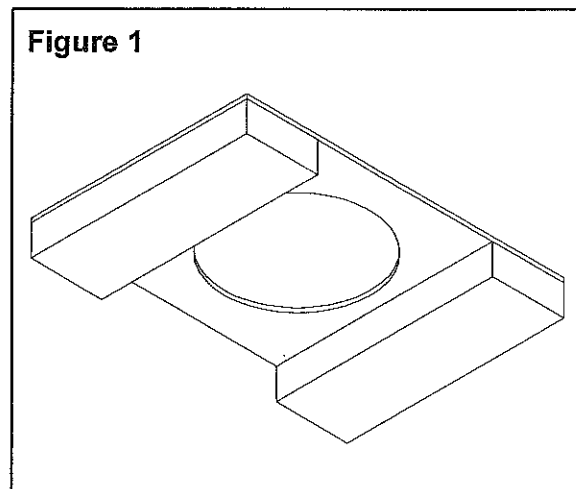


Form OME-062, 10/2010
©Omega National Products

Installation Instructions

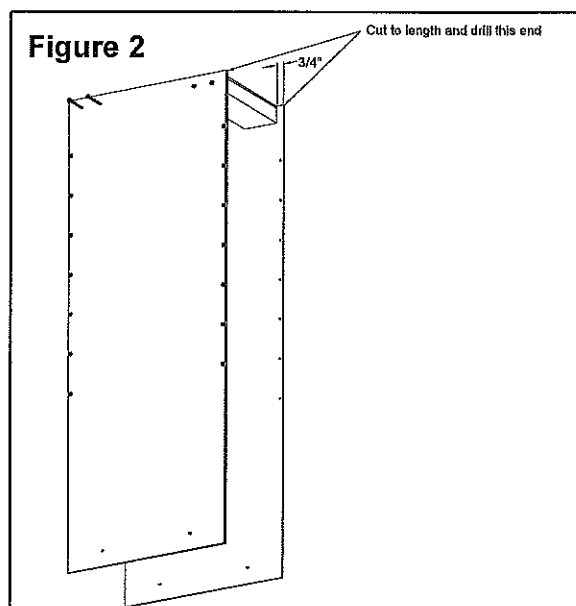
Step 1: ATTACH CEILING MOUNTING ASSEMBLY TO CEILING

Determine the center location of the vent pipe and firmly secure the Ceiling Mounting Assembly to the ceiling. All components of the Island Range Hood rely on the structural integrity of this component firmly mounted to the ceiling. The installer assumes all liability and responsibility for properly securing this component. One suggested practice would be to drill holes thru the 2 x 4's and plywood, and install 3/8" diameter bolts/threaded rod of sufficient length, to cross members located above the ceiling joists. Any method for securing this assembly to the ceiling, must involve going through the 2 x 4's of the Ceiling Mounting Assembly, into a secure frame member(s) in the ceiling. (Note: The plywood backer on this assembly is a spacer only and has no structural strength.)



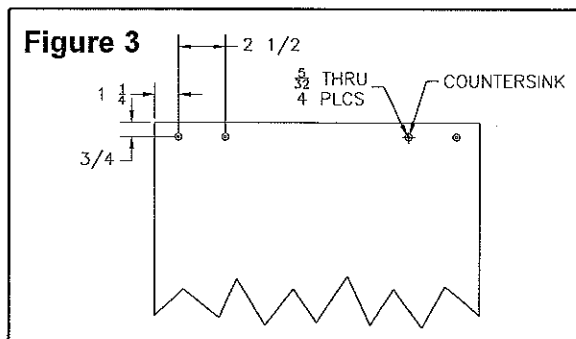
Step 2: CUT FRONT/BACK PANELS

1/4" Thick veneered front and back panels are supplied in 47 3/4" lengths. When used at this length, the total height of the assembled unit is 52 7/8" for the Straight RH, and 54 7/8" for the Arched RH. Depending on the ceiling height, and the desired distance between the cook top surface and the bottom of the Range Hood, the front and back panels may need to be trimmed to length. The panels come with liner mounting holes on the bottom edge. Trim the ends of the panels away from these holes.



Step 3: DRILL FRONT/BACK PANELS

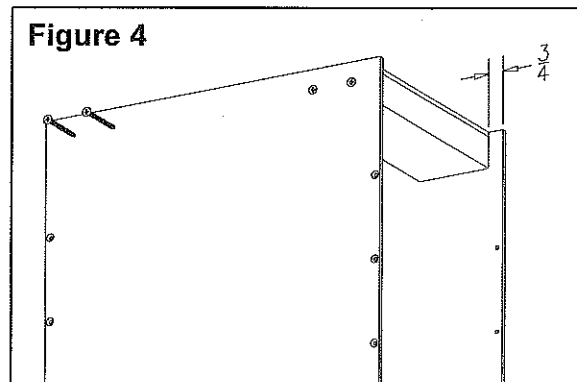
After cutting the panels to the desired length, drill and countersink 4 holes in the top end. Countersink only deep enough for the #8 screw provided to be flush with the surface. (See Fig. 03)



Form OME-062, 10/2010
©Omega National Products

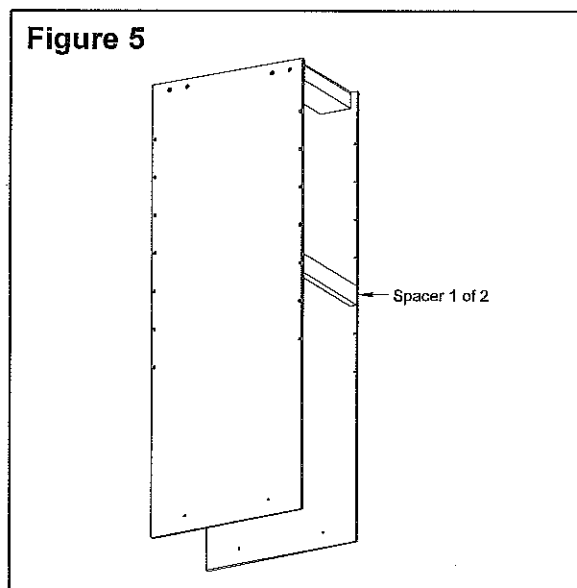
Step 4: ATTACH FRONT/BACK PANELS

Mark a line on the ceiling, 3/4" from the end of the Ceiling Mounting Assembly, on both ends. Align front and back panel edges with the 3/4" marked line on the ceiling and tight to the ceiling. Install the panels with 4 ea., #8 X 1 1/4" flat head screws provided.



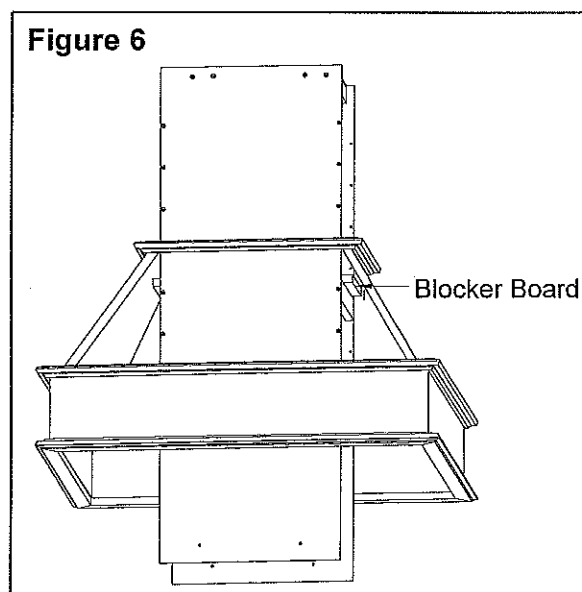
Step 5: ATTACH SPACERS

Use #6 x 1 1/4" flat head screws provided, to temporarily install 10 11/16" long spacers between the front and back panels, in the third set of holes from the bottom.



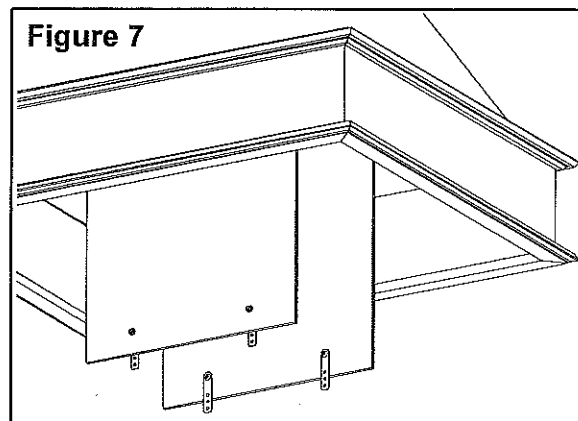
Step 6: TEMPORARY LOCATION OF RANGE HOOD

Using 2 people, carefully slide the Island Wood Range Hood up the chimney, far enough so the 3/4" thick x 19" long (for 36" hood) blocker board can rest on top of the spacers installed in Step 3. Lower the hood, allowing it to rest on the blocker board. This allows room to install the liner and ventilation equipment. Figure 6 shows Range Hood with front removed to see the Blocker Board.



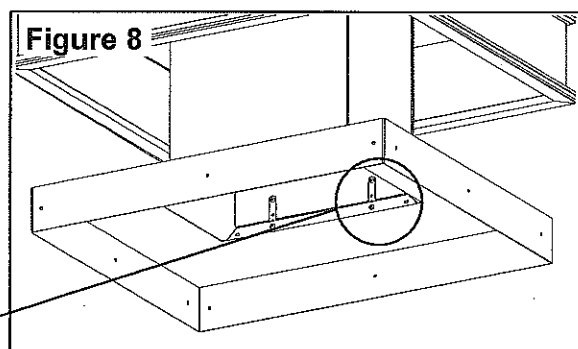
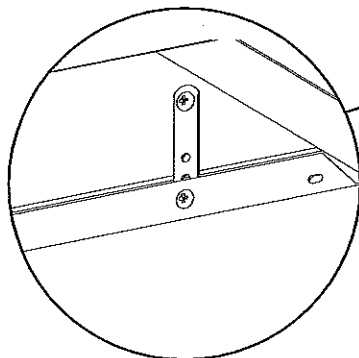
Step 7: INSTALLING PANEL BRACKETS

Install panel brackets with the 10-24 x 3/4" bolts and nuts. Brackets should be located on the inside of the front and back panels, with the bolt heads on the inside. Do not tighten at this time.



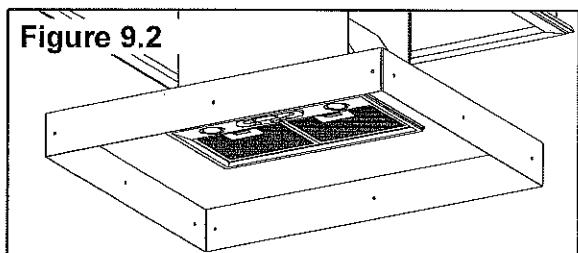
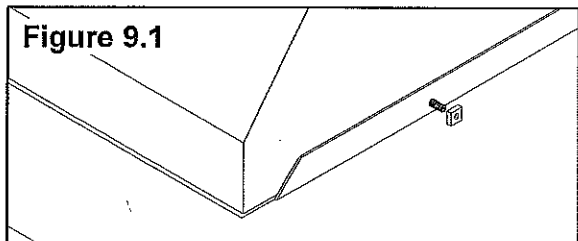
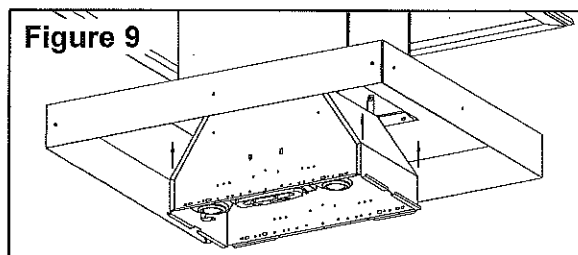
Step 8: INSTALLING RANGE HOOD LINER

Install the Range Hood Liner by aligning sets of holes in the liner flange with the bottom hole of the panel brackets. Locate the panel bracket on the outside of the liner flange. Install the Liner with four, 8-32 x 3/4" Truss Head bolts and square nuts, with the bolt head on the inside of the blower opening. Tighten all nuts and bolts at this time.



Step 9: INSTALLING POWER VENTILATION UNIT

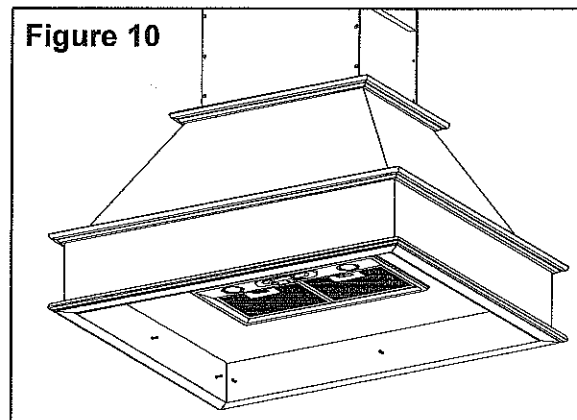
Install power ventilation unit, with 8-32 x 3/4" bolts and nuts. Orient bolts with the heads on the inside of the ventilation unit, through the outer holes of the liner flange. Install ventilation face trim. Exhaust duct work can be attached to ventilation unit now, or after wood hood is lowered into position. Do any pre-wiring that needs to be done now. The Liner is drilled for Omega National Products, Broan Power Ventilation Units.



Form OME-062, 10/2010
©Omega National Products

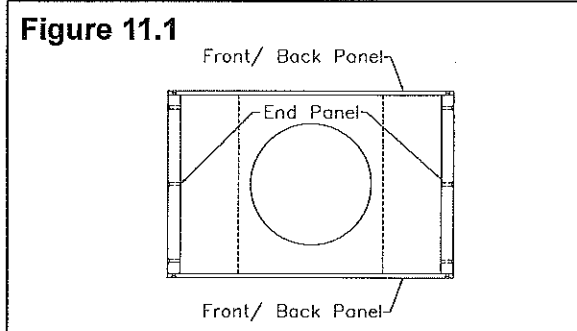
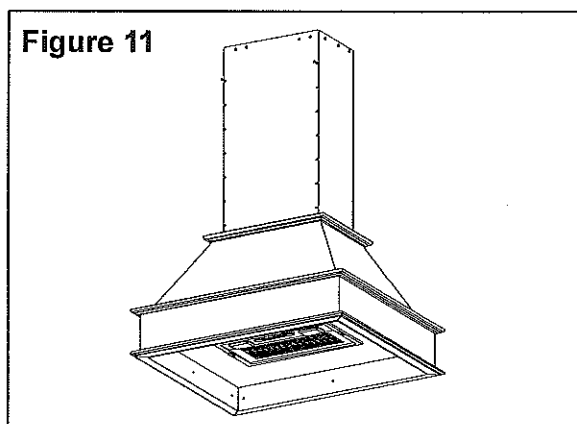
Step 10: LOWERING AND SECURING WOOD RANGE HOOD

With two people, raise Range Hood high enough to remove the blocker board that was temporarily holding the Range Hood in place. Lower the Range Hood over the liner and secure with #8 x 1/2" pan head screws, keeping bottom of liner flush or slightly above bottom edge of the Range Hood.



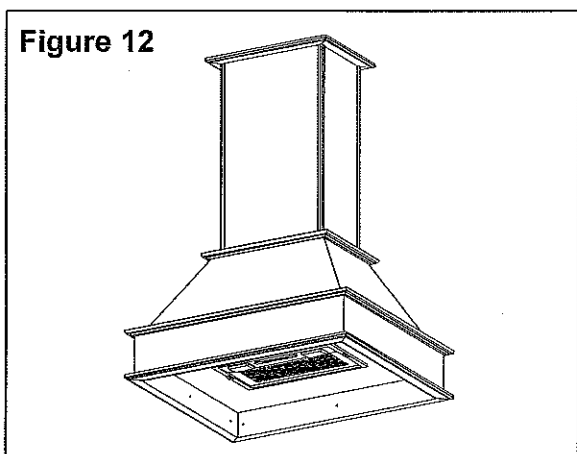
Step 11: INSTALLING END PANELS

Finish installing duct work and electrical requirements to local/national building codes. Test for proper function: electrical and ventilation. Remove spacers installed in Step 05. Close ends of chimney support with two, 3/4" x 10 11/16" wide End Panels. As in Step 02, these panels will need to be trimmed to length to fit the particular installation. Where the panels fasten to the top, drill and counter-sink 3 holes in each panel. Locate the holes 3/4" from the end. Drill a 5/32" diameter hole. Hold tight to ceiling and install through end panel into 2 x 4 with #6 x 1 1/4" flat head screws. Then secure front and back panel to end panel with #6 x 1 1/4" flat head screws. Keep edges of front and back panel flush with face of end panels.



Step 12: INSTALLING TRIM MOULDINGS

Miter to length and install Top Trim Moulding. Trim to length and install Outside Corner moulding.



Form OME-062, 10/2010
©Omega National Products