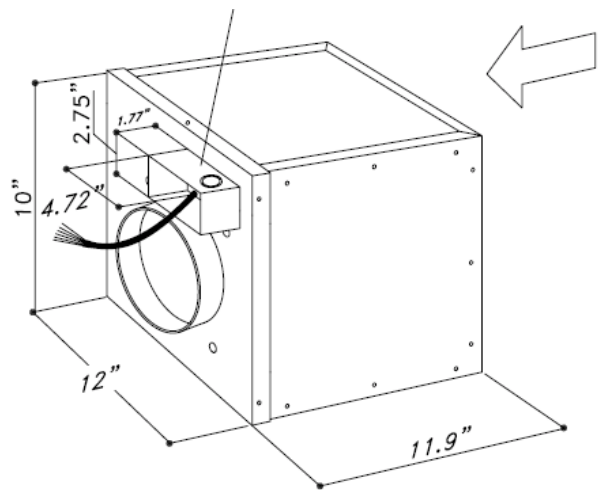
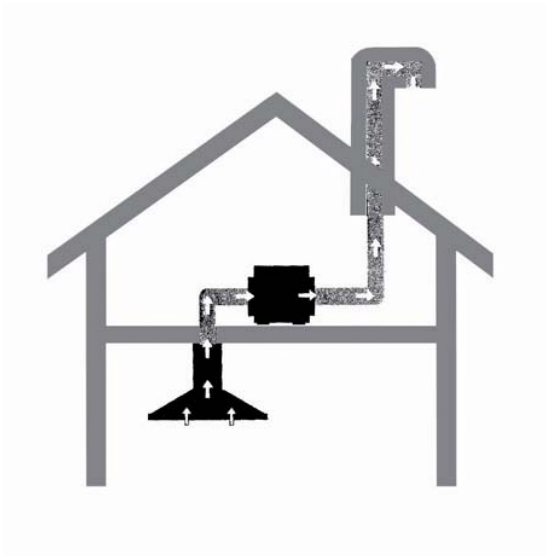




SUM1
SUM1

SEM1

- Motor: **600 cfm**
Aluminium die-cast motor housing
- Pressure: **480 Pa**
- Noise level: **63 dBA/4.9 sones**



Sirius