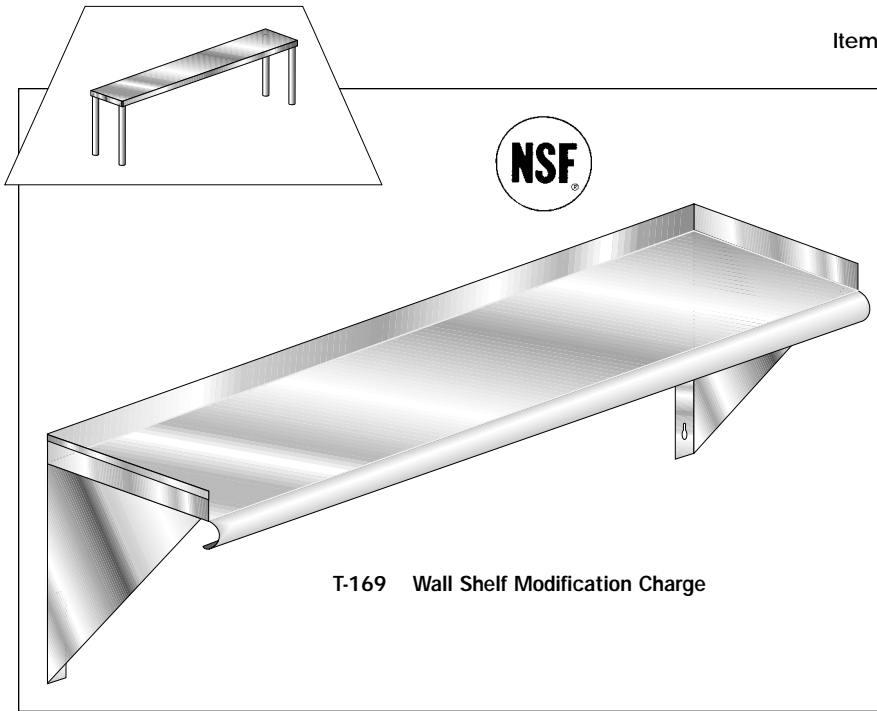




# WALLSHELF

W SERIES Wall Mounted/BW SERIES Budget Wall Mounted



Item# \_\_\_\_\_ Project \_\_\_\_\_

Quantity	ECONOMY 16GA 430 Model #	DELUX 16GA 304 Model #	AEROSPEC 14GA 304 Model #
----------	--------------------------------	------------------------------	---------------------------------

## 10" WIDE

_____	4W-1024	3W-1024	2W-1024
_____	4W-1036	3W-1036	2W-1036
_____	4W-1048	3W-1048	2W-1048
_____	4W-1060	3W-1060	2W-1060
_____	4W-1072	3W-1072	2W-1072
_____	4W-1084	3W-1084	3W-1084
_____	4W-1096	3W-1096	2W-1096
_____	4W-10108	3W-10108	2W-10108
_____	4W-10120	3W-10120	2W-10120
_____	4W-10132	3W-10132	2W-10132
_____	4W-10144	3W-10144	2W-10144

## 12" WIDE

_____	4W-1224	3W-1224	2W-1224
_____	4W-1236	3W-1236	2W-1236
_____	4W-1248	3W-1248	2W-1248
_____	4W-1260	3W-1260	2W-1260
_____	4W-1272	3W-1272	2W-1272
_____	4W-1284	3W-1284	2W-1284
_____	4W-1296	3W-1296	2W-1296
_____	4W-12108	3W-12108	2W-12108
_____	4W-12120	3W-12120	2W-12120
_____	4W-12132	3W-12132	2W-12132
_____	4W-12144	3W-12144	2W-12144

## 15" WIDE

_____	4W-1524	3W-1524	2W-1524
_____	4W-1536	3W-1536	2W-1536
_____	4W-1548	3W-1548	2W-1548
_____	4W-1560	3W-1560	2W-1560
_____	4W-1572	3W-1572	2W-1572
_____	4W-1584	3W-1584	2W-1584
_____	4W-1596	3W-1596	2W-1596
_____	4W-15108	3W-15108	2W-15108
_____	4W-15120	3W-15120	2W-15120
_____	4W-15132	3W-15132	2W-15132
_____	4W-15144	3W-15144	2W-15144

## 18" WIDE

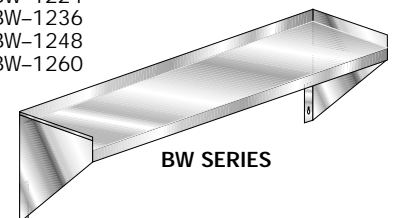
_____	4W-1824	3W-1824	2W-1824
_____	4W-1836	3W-1836	2W-1836
_____	4W-1848	3W-1848	2W-1848
_____	4W-1860	3W-1860	2W-1860
_____	4W-1872	3W-1872	2W-1872
_____	4W-1884	3W-1884	2W-1884
_____	4W-1896	3W-1896	2W-1896
_____	4W-18108	3W-18108	2W-18108
_____	4W-18120	3W-18120	2W-18120
_____	4W-18132	3W-18132	2W-18132
_____	4W-18144	3W-18144	2W-18144

## BW WALL SHELF

Quantity Model #

### BW SERIES

_____	4BW-1224
_____	4BW-1236
_____	4BW-1248
_____	4BW-1260



BW SERIES

### MATERIAL

#### SHELF

- 4W - 16 gauge 430 stainless steel
- 3W - 16 gauge 304 stainless steel
- 2W - 14 gauge 304 stainless steel

### DESIGN FEATURES

- Traditional design.
- Shelf has 1 1/2" lip on 3 sides with a 3/4" radius front roll.
- Stainless steel brackets easily mounted to welded studs.
- K.D. design means UPS shipment for many sizes.

### EXCLUSIVE AERO SAFETY EDGE

- Shelves hemmed to eliminate cuts from rough edges.

### CONSTRUCTION

- Top is polished to a #4 mill finish.
- All wallshelves shipped K.D.
- Wallshelves over 72" in length receive third stainless steel bracket.

### BW SHELF

#### DESIGN FEATURES

- Shelf has 1 1/2" lip on 3 Sides with a 1/2" front edge turn down.
- Stainless steel brackets easily mounted utilizing tab-lock design.
- K.D. design means UPS shipment for many sizes.

### EXCLUSIVE AERO SAFETY EDGE

- Shelves hemmed to eliminate cuts from rough edges.

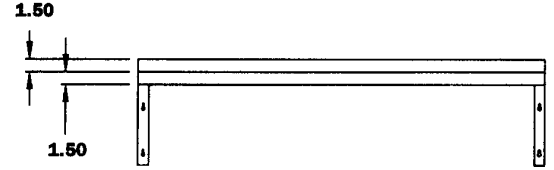
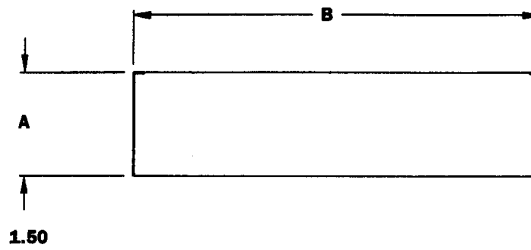
### CONSTRUCTION

- Top is polished to a #4 mill finish.
- All wallshelves shipped K.D.
- Wallshelves over 72" in length receive third stainless steel bracket.

# BUILT TO LAST A LIFETIME

# DIMENSIONAL SPECIFICATIONS

W SERIES Wall Mounted/BW SERIES Budget Wall Mounted

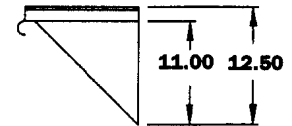


A Width	B Length	ECONOMY 16GA 430 Model #	DELUX 16GA 304 Model #	AEROSPEC 14GA 304 Model #	Ship Weight	Cubic Feet
<b>10" WIDE</b>						
10	24	4W-1024	3W-1024	2W-1024	10	1
10	36	4W-1036	3W-1036	2W-1036	12	1
10	48	4W-1048	3W-1048	2W-1048	14	2
10	60	4W-1060	3W-1060	2W-1060	17	2
10	72	4W-1072	3W-1072	2W-1072	19	3
10	84	4W-1084	3W-1084	3W-1084	22	3
10	96	4W-1096	3W-1096	2W-1096	26	3
10	108	4W-10108	3W-10108	2W-10108	28	4
10	120	4W-10120	3W-10120	2W-10120	31	4
10	132	4W-10132	3W-10132	2W-10132	35	5
10	144	4W-10144	3W-10144	2W-10144	38	5

<b>12" WIDE</b>						
12	24	4W-1224	3W-1224	2W-1224	10	1
12	36	4W-1236	3W-1236	2W-1236	12	2
12	48	4W-1248	3W-1248	2W-1248	14	2
12	60	4W-1260	3W-1260	2W-1260	17	3
12	72	4W-1272	3W-1272	2W-1272	19	3
12	84	4W-1284	3W-1284	2W-1284	22	4
12	96	4W-1296	3W-1296	2W-1296	26	4
12	108	4W-12108	3W-12108	2W-12108	28	5
12	120	4W-12120	3W-12120	2W-12120	31	5
12	132	4W-12132	3W-12132	2W-12132	35	6
12	144	4W-12144	3W-12144	2W-12144	38	6

<b>15" WIDE</b>						
15	24	4W-1524	3W-1524	2W-1524	10	1
15	36	4W-1536	3W-1536	2W-1536	12	2
15	48	4W-1548	3W-1548	2W-1548	14	3
15	60	4W-1560	3W-1560	2W-1560	17	3
15	72	4W-1572	3W-1572	2W-1572	19	4
15	84	4W-1584	3W-1584	2W-1584	22	4
15	96	4W-1596	3W-1596	2W-1596	26	5
15	108	4W-15108	3W-15108	2W-15108	28	6
15	120	4W-15120	3W-15120	2W-15120	31	6
15	132	4W-15132	3W-15132	2W-15132	36	7
15	144	4W-15144	3W-15144	2W-15144	38	8

<b>18" WIDE</b>						
18	24	4W-1824	3W-1824	2W-1824	10	2
18	36	4W-1836	3W-1836	2W-1836	12	2
18	48	4W-1848	3W-1848	2W-1848	14	3
18	60	4W-1860	3W-1860	2W-1860	17	4
18	72	4W-1872	3W-1872	2W-1872	19	5
18	84	4W-1884	3W-1884	2W-1884	22	5
18	96	4W-1896	3W-1896	2W-1896	26	6
18	108	4W-18108	3W-18108	2W-18108	28	7
18	120	4W-18120	3W-18120	2W-18120	31	8
18	132	4W-18132	3W-18132	2W-18132	35	8
18	144	4W-18144	3W-18144	2W-18144	38	9



T-169 Wall Shelf Modification Charge

**ASK AERO:**  
We can  
Customize  
any product  
for any  
Application!

---

Call for  
Details!

## BW SERIES

A Width	B Length	Model #	Ship Weight	Cubic Feet
<b>BW WALLSHELF</b>				
12	24	4BW-1224	8	1
12	36	4BW-1236	10	1
12	48	4BW-1248	12	2
12	60	4BW-1260	14	2