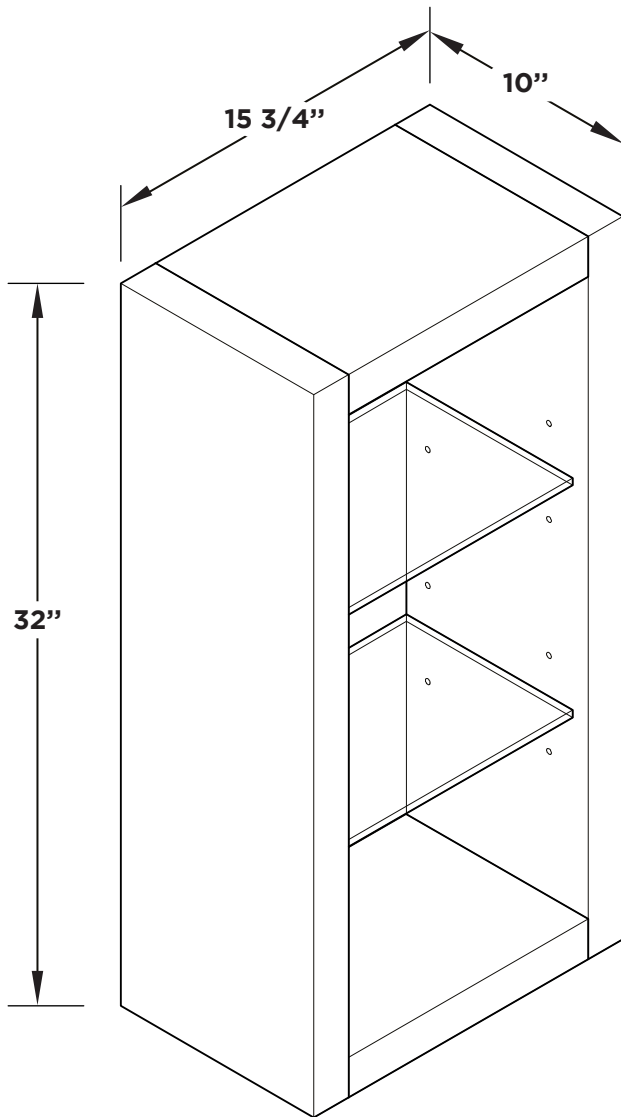


FST8130
SIDE CABINET
INSTALLATION GUIDE

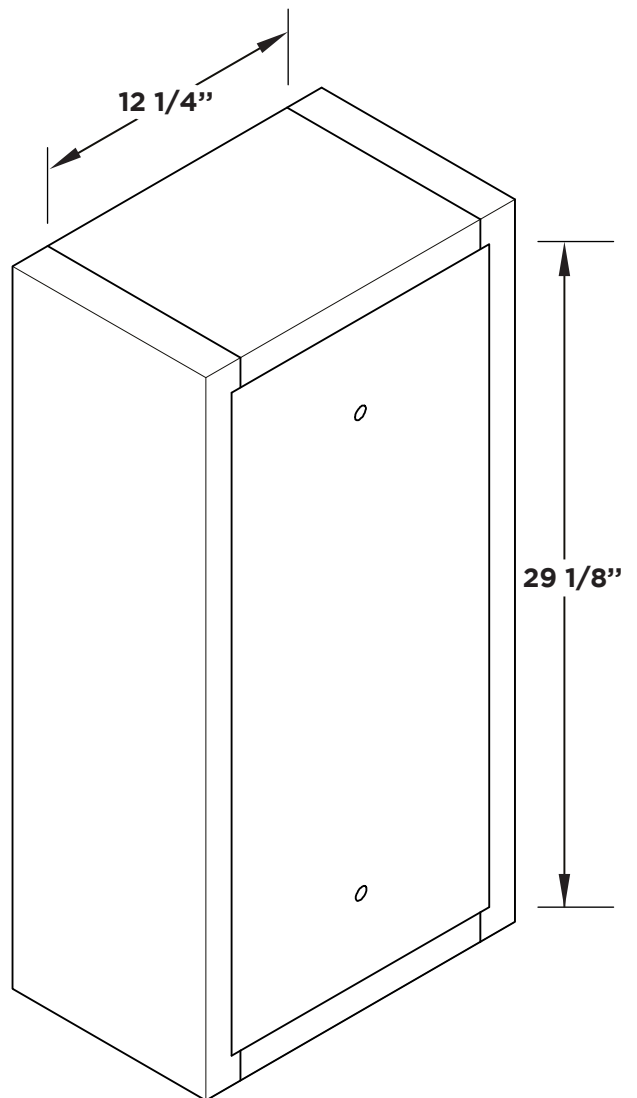
●●kitchensource.com
1.800.667.8721



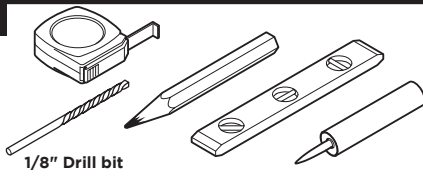
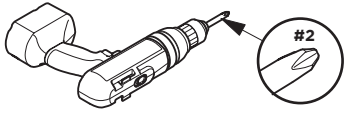
Cabinet Front



Cabinet Back



TOOLS FOR ASSEMBLY



1/8" Drill bit

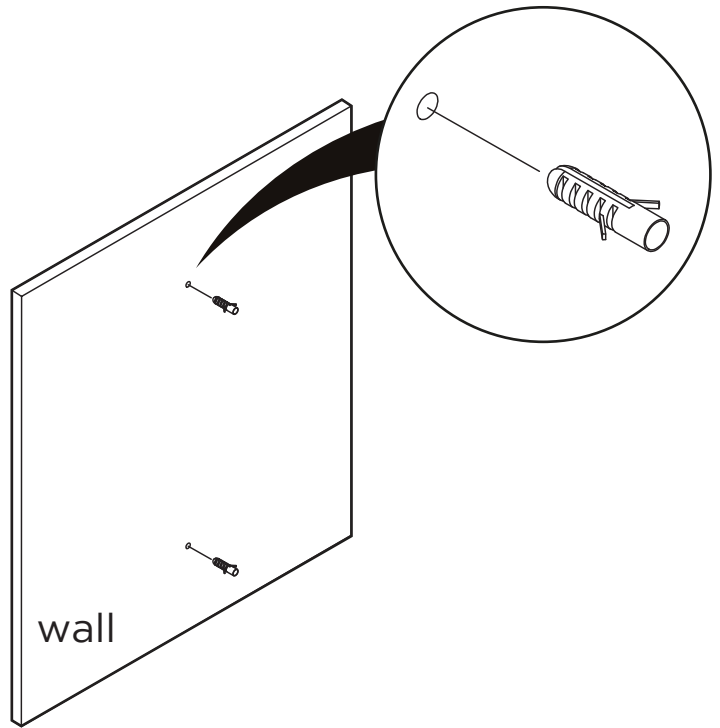
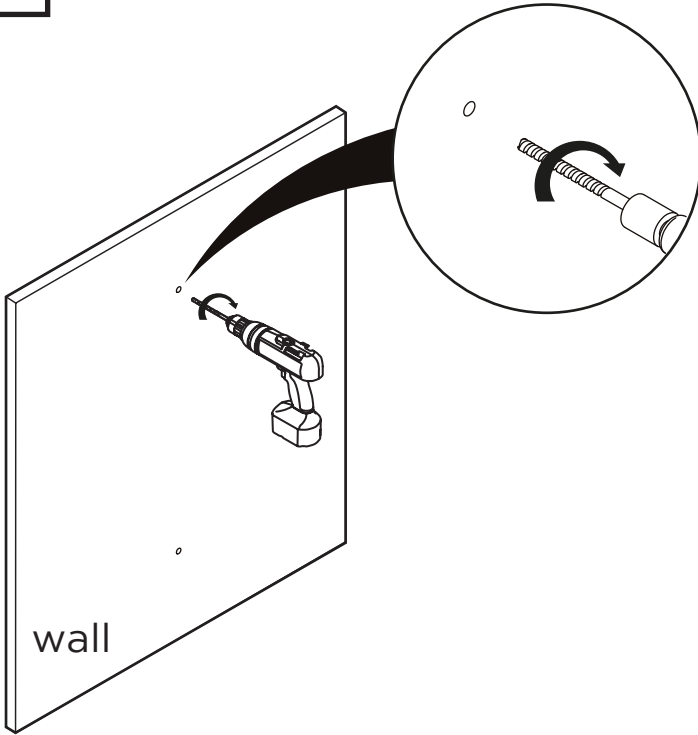
2

Insert the dowels

IMPORTANT: Consult an expert for the proper screws/bolts to use when attaching to various wall constructions. Screws provided do not attach to all wall construction types.

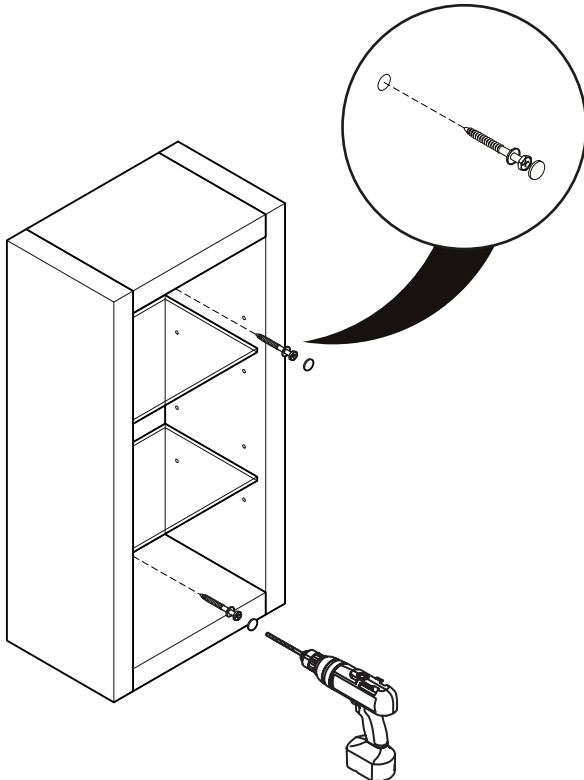
1

Drill holes



3

Install cabinet



FINAL
PRODUCT
FST8130

