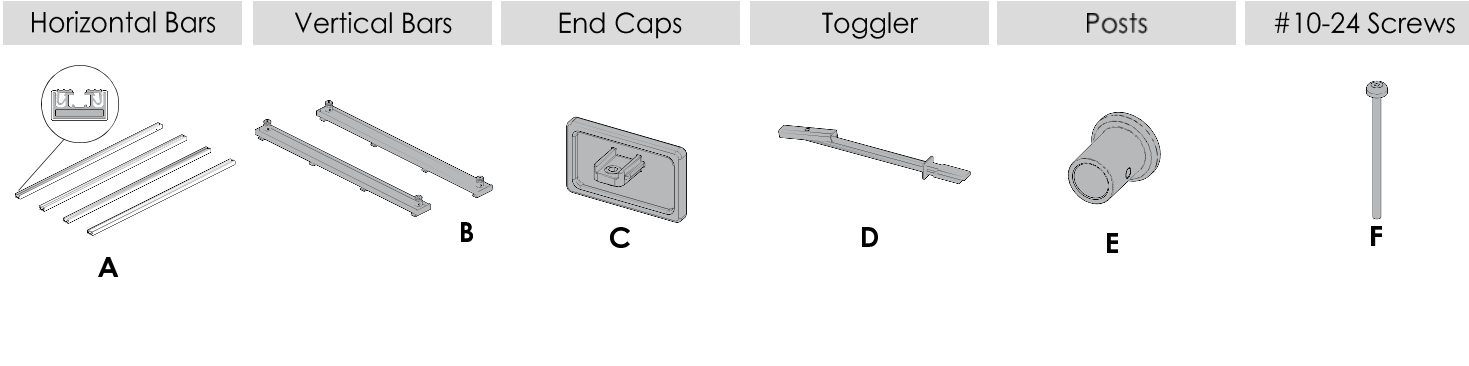


# INSTALLATION GUIDE

## SYMPHONY Wall Organizer

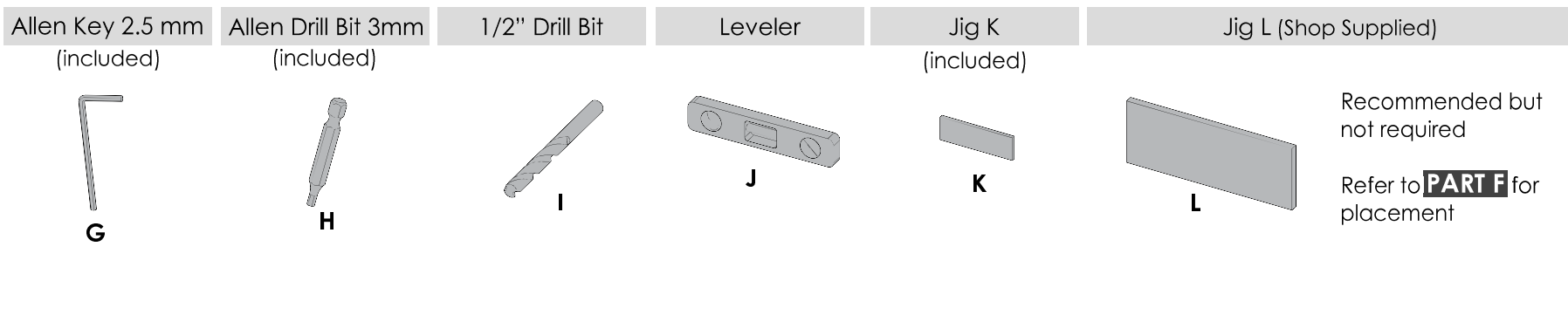
### PART A: INSTALL PREPARATION

components

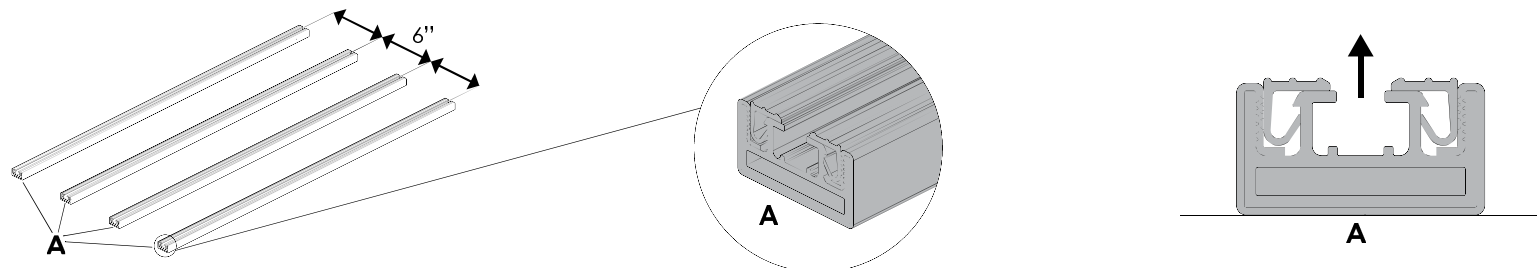


**⚠ WARNING:**  
This product can expose you to chemicals including chromium (hexavalent compounds), which are known to the State of California to cause cancer and birth defects or other reproductive harm.  
  
For more information, visit [www.p65warnings.ca.gov](http://www.p65warnings.ca.gov)

tools



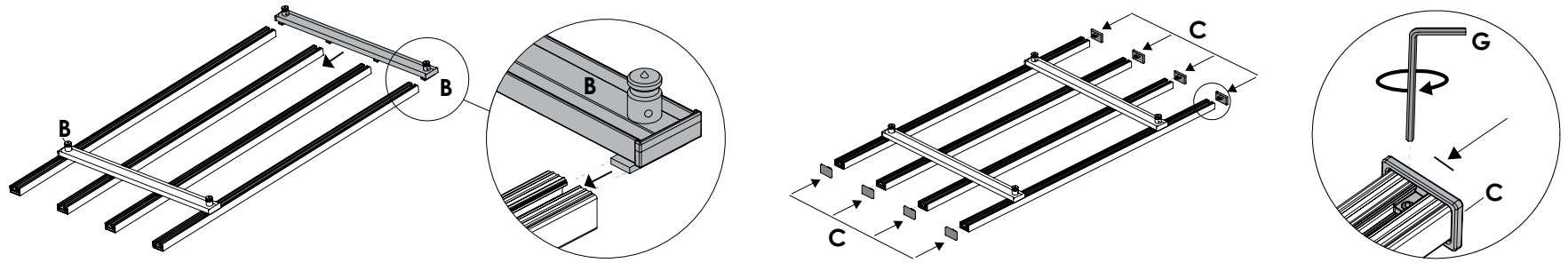
install prep



**PART B: ASSEMBLY**

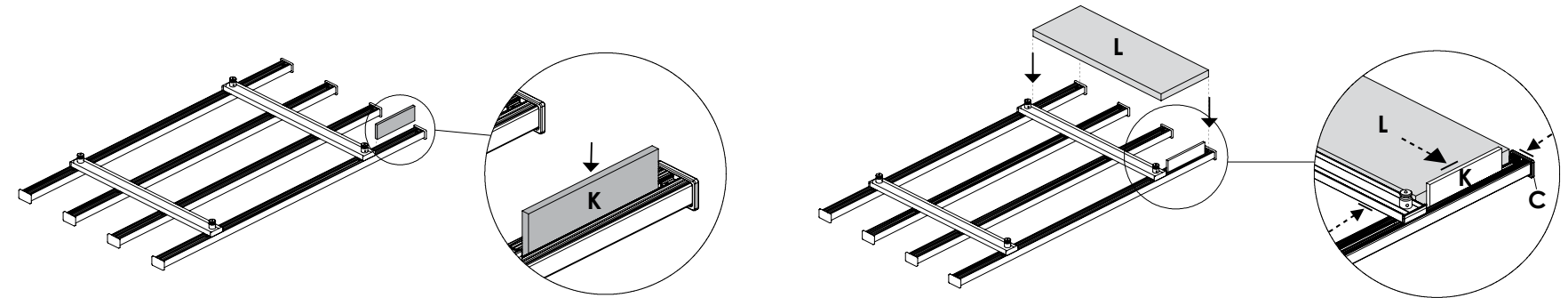
**1**

Insert vertical bars and end caps



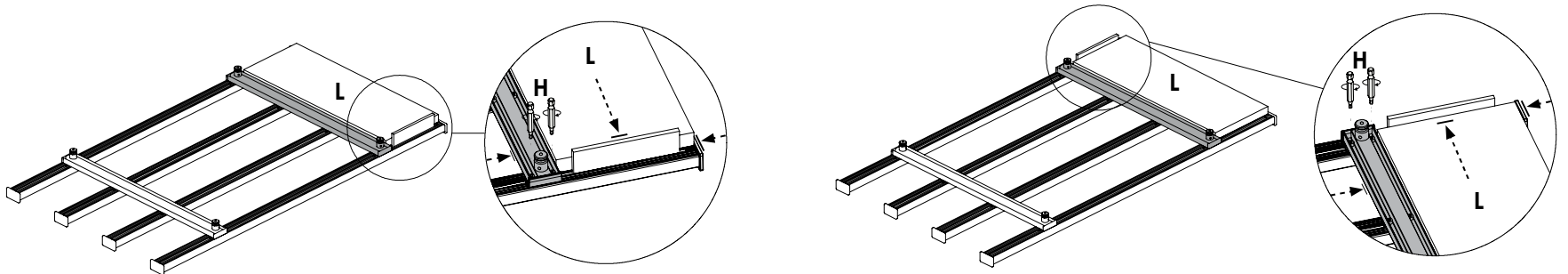
**2**

Insert Jig 1 & 2



**3**

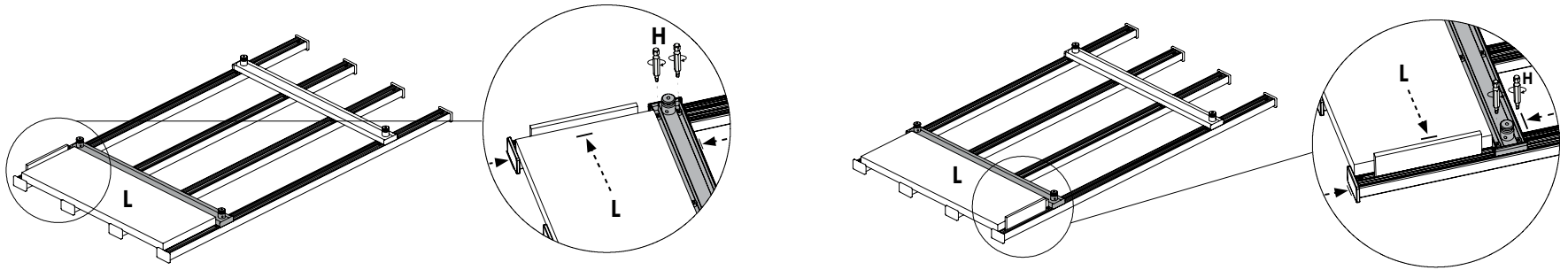
Secure corners of Vertical Bars



**PART C: ASSEMBLY & WALL INSTALLATION**

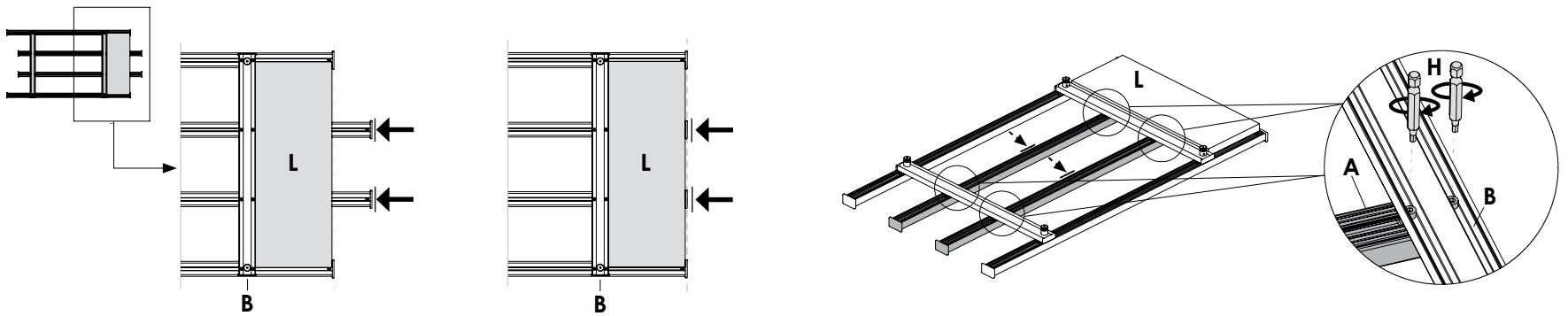
**4**

Secure corners of Vertical Bars



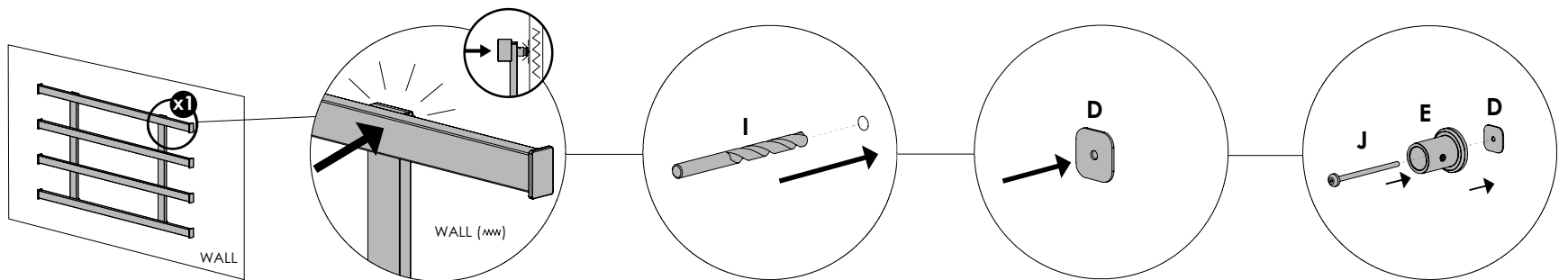
**5**

Tighten Horizontal Bars



**6**

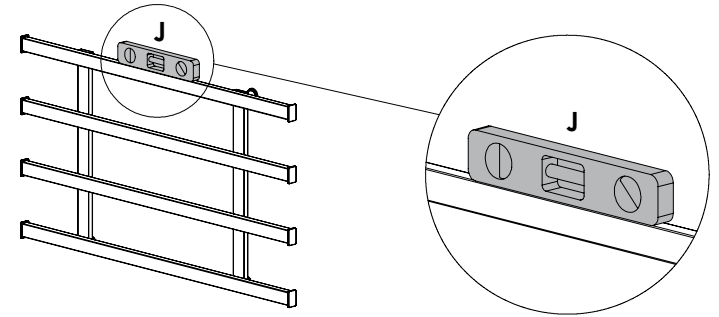
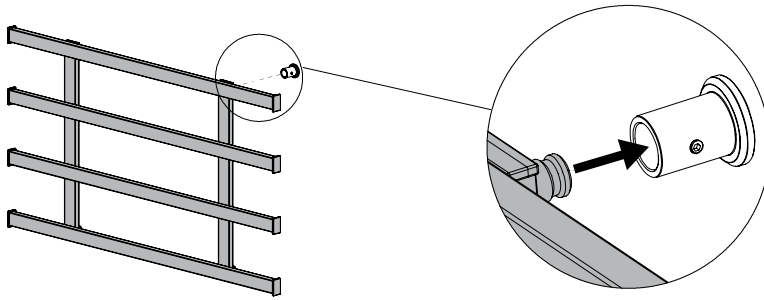
Mark ONLY top right corner



**PART D: WALL INSTALLATION**

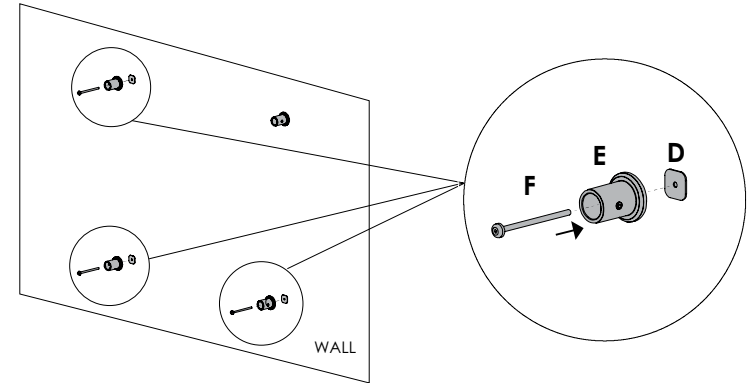
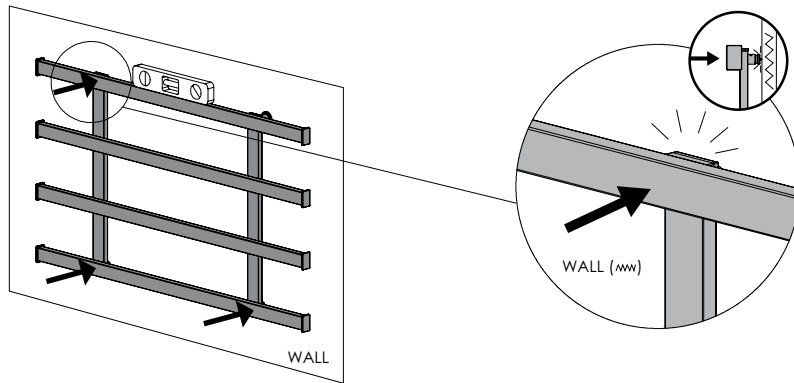
**7**

Position and level



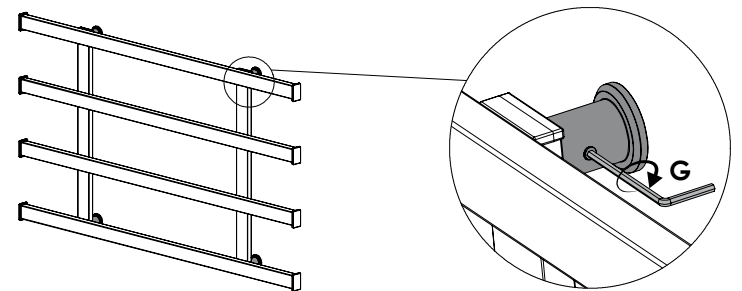
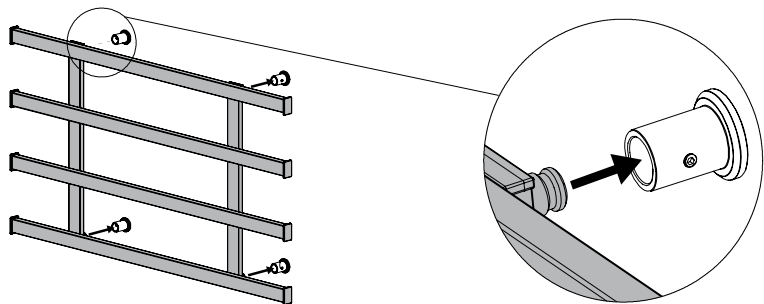
**8**

Mark & install remaining posts

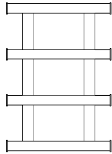
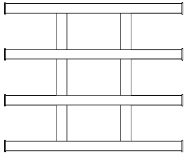
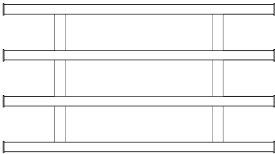
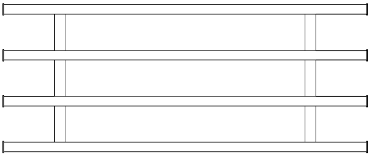
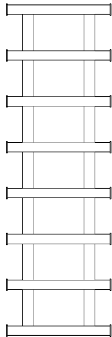
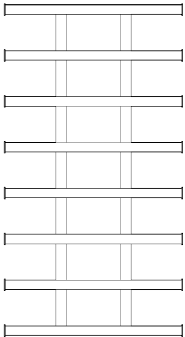
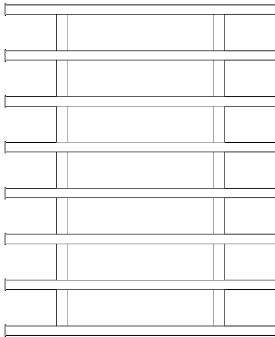
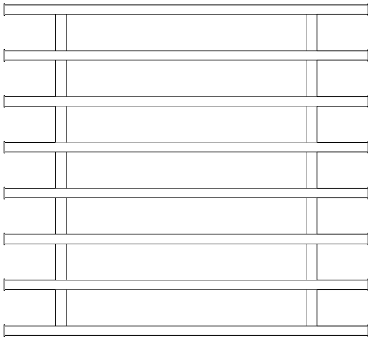
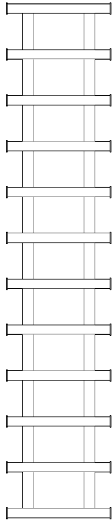
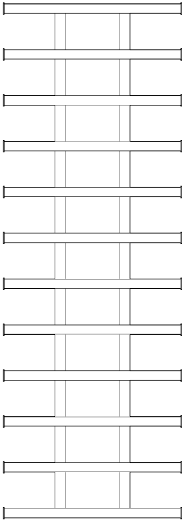
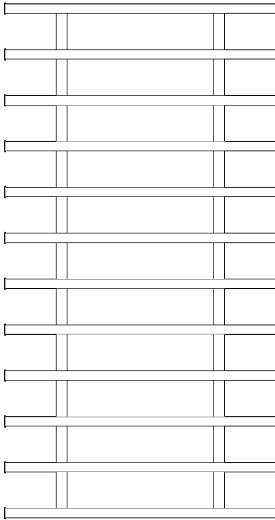
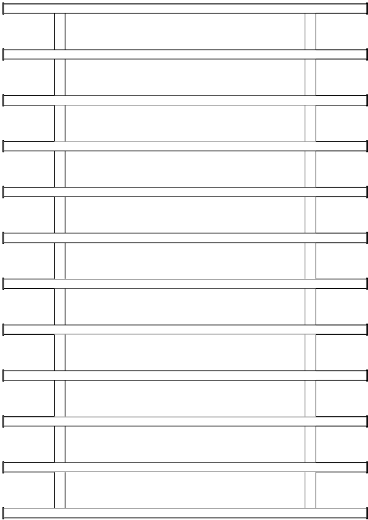


**9**

Install and secure to complete



# PART E: AVAILABLE SIZES & SUGGESTED CONFIGURATIONS

		HORIZONTAL BARS			
		13.5"	23"	35"	47"
VERTICALS					
19"					
42"					
66"					

# PART F: Jig L Positioning

