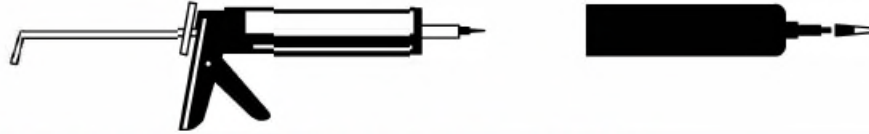




Athens 15" Base Cabinet with Drawers and Door:  
 E645-B15L-GW / E645-B15R-GW / E645-B15L-MCA / E645-B15R-MCA.

Assembly / Installation Instructions

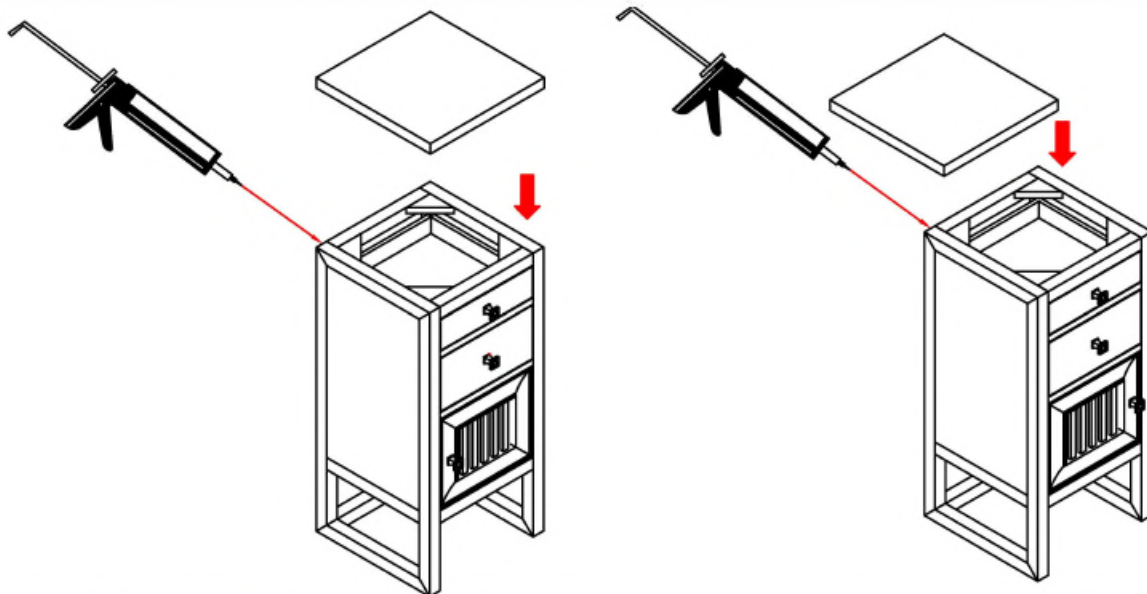
Materials  
 for  
 Installation:



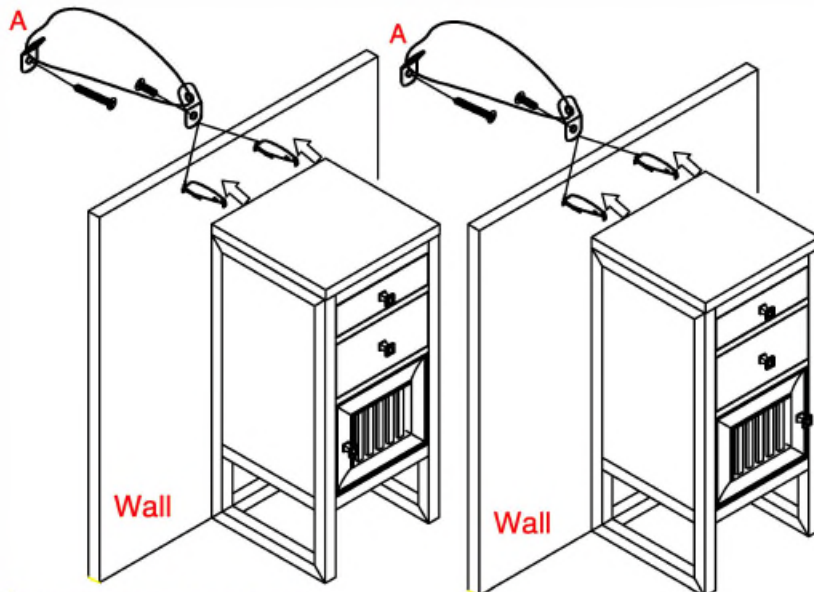
For your safety and to achieve the best possible installation of this vanity cabinet, James Martin Vanities always recommends you consult with a professional contractor. Two people are required for the assembly and installation of these cabinets.

**Step 1 Notes:**

Properly align and secure the countertop to the cabinet with high quality adhesive.



A=2 SETS Wall Anchor



**IMPORTANT NOTE**

**Step 2 Notes:** Please move the cabinet into the final position, once you have moved the cabinet into his final position, use the Wall Anchor Kit (A) to attach the top of the cabinet to the wall.

The Wall Anchor Hardware Kits (A) are included inside the specially marked white color hardware bags. (Two hardware bags are included with the cabinet)

**Step 3 Notes:**

You can use the cabinet against a side wall (corner) or use the cabinet as a free-standing item, you also can pair with a E645-H15L or a E645-H15R.