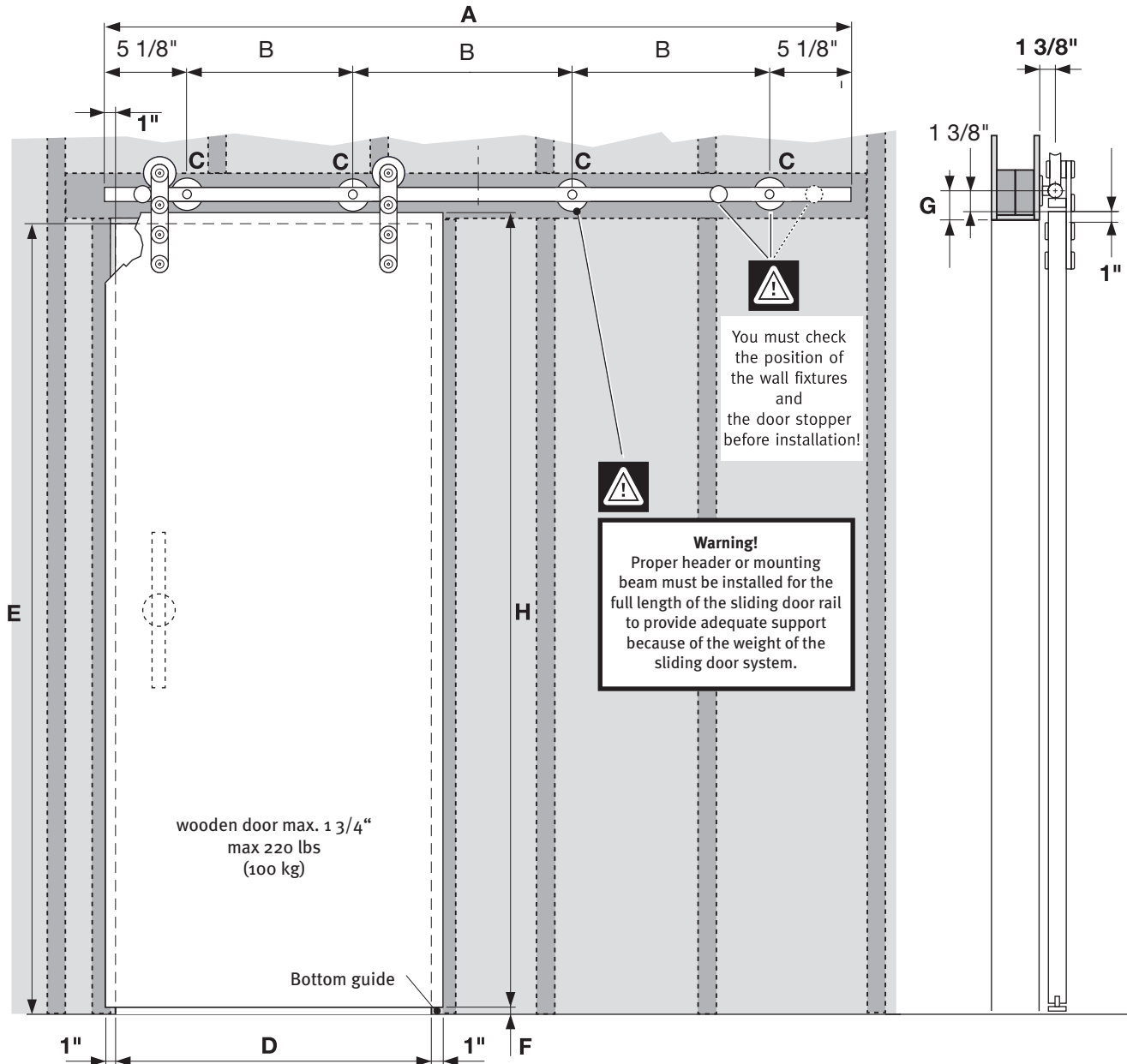


Planning guide

Sliding door fittings Flatec IV

for wooden doors (max. 1 3/4" thickness)



Complete-sets

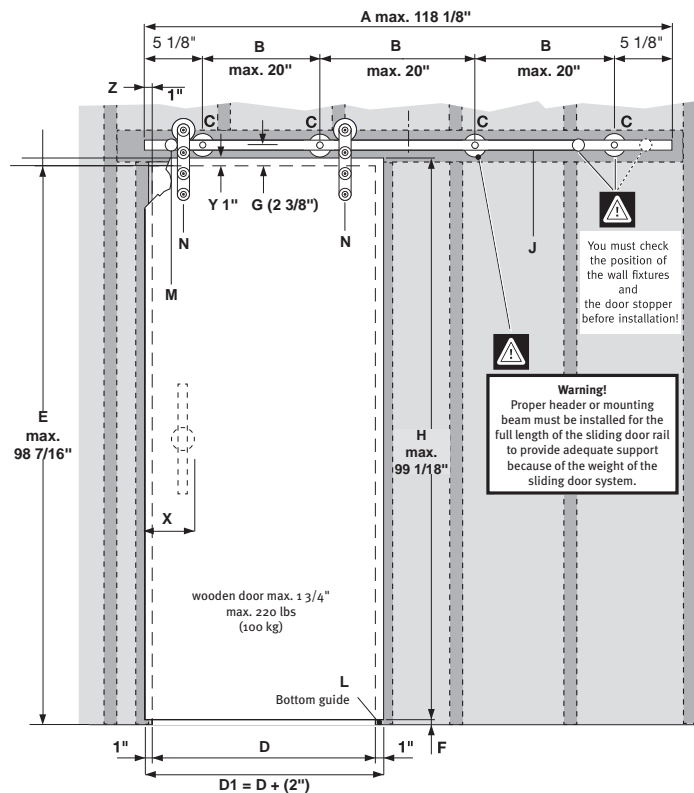
Set Flatec IV Artikel-No.	A inch	B inch	C Each	D inch	E max. inch	F inch	G inch	H max. inch (H=E-F+1")
USU95-1800EF	70 7/8"	20 1/4"	4	29 1/2" – 35 7/16"	98 7/16"	1/4"–3/8"	2 3/8"	99 1/8"
USU95-2100EF	82 11/16"	24 1/8"	4	35 13/16" – 39 3/8"	98 7/16"	1/4"–3/8"	2 3/8"	99 1/8"
USU95-2300EF	90 9/16"	20 1/16"	5	39 3/4" – 44 1/16"	98 7/16"	1/4"–3/8"	2 3/8"	99 1/8"
USU95-2540EF	100"	22 7/16"	5	44 1/2" – 49 3/16"	98 7/16"	1/4"–3/8"	2 3/8"	99 1/8"

Sliding door fittings **Flatec IV**

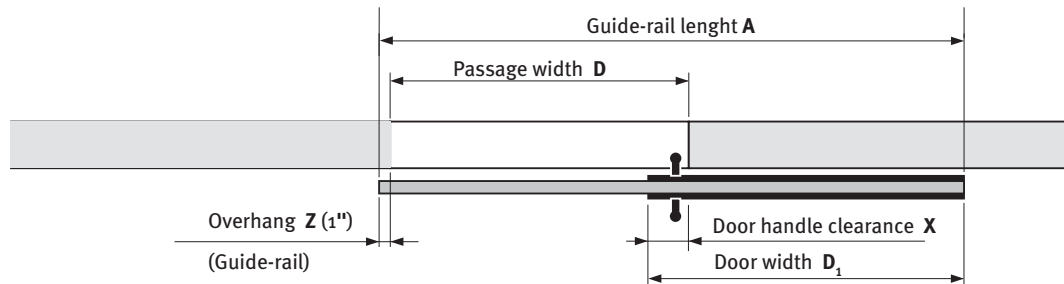
for wooden doors (max. 1 3/4" thickness) - 1 door

Manufacturing dimensions (special model)												
inches		Each	inches						lbs	Each		
A	B	C	D	D ₁	E max. 98 7/16"	F 1/4"-3/8"	G	H max. 99 1/8" (H = E - F + Y)	load bearing capacity of the guide rail J	L	M	N
							2 3/8"			1	2	2

- A = Guide-rail length
 - B = Drill hole clearance
 - C = Wall fixture
 - D = Passage width
 - D₁ = Door width
 - E = Passage height
 - F = Door - floor clearance
 - G = Fastening clearance
 - H = Door height
 - J = Load-bearing capacity of the guide rail
 - L = Bottom guide
 - M = Door stopper
 - N = Trolley
 - X = Door knob clearance
 - Y = Door height overhang
 - Z = Guide-rail overhang
- () = recommended!



Calculation for guide-rail length A for 1 door



Overhang Z + Passage width D + Door width D₁ - Door handle clearance X = Guide-rail length A

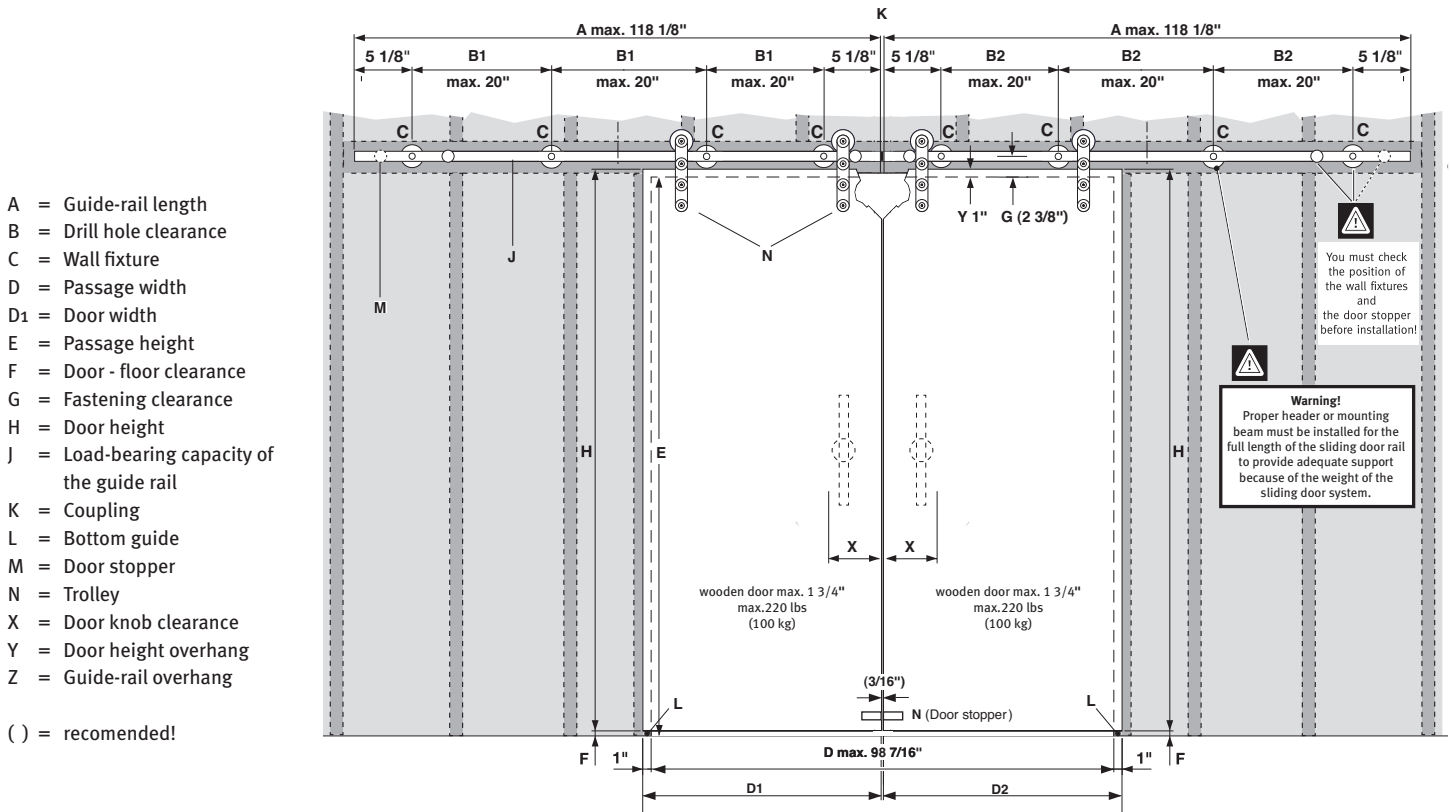


Make door handle clearance so that fingers do not get pinched when the door is used! See page 5.

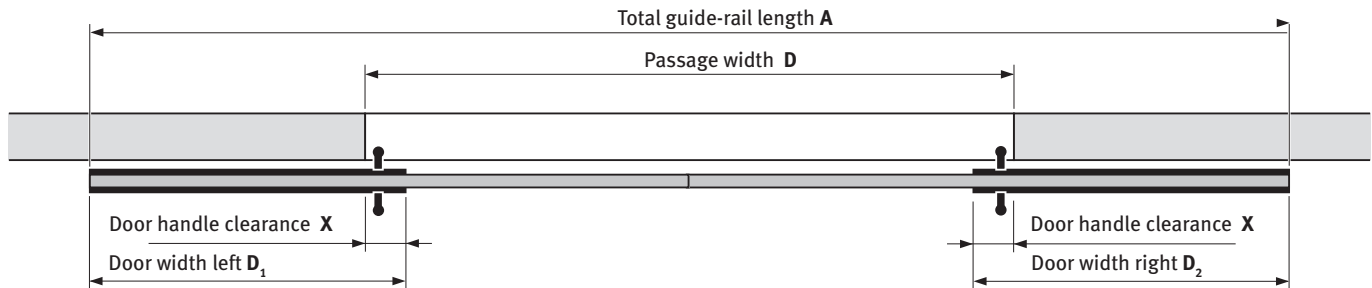
Sliding door fittings **Flatec IV**

for wooden doors (max. 1 3/4" thickness) - 2 doors

inches		Manufacturing dimensions (special model)										lbs	Each			
A	B ₁	B ₂	C	D	D ₁	D ₂	E max. 98 7/16"	F 1/4"- 3/8"	G	H max. 99 1/8" (H = E - F + Y)	load bearing capacity of the guide rail J	K	L	M	N	
									2 3/8"			1	2	4	4	



Calculation for total guide-rail length A for 2 doors



Door width D₁ - Door handle clearance X + Passage width D + Door width D₂ - Door handle clearance X = Total guide-rail length A

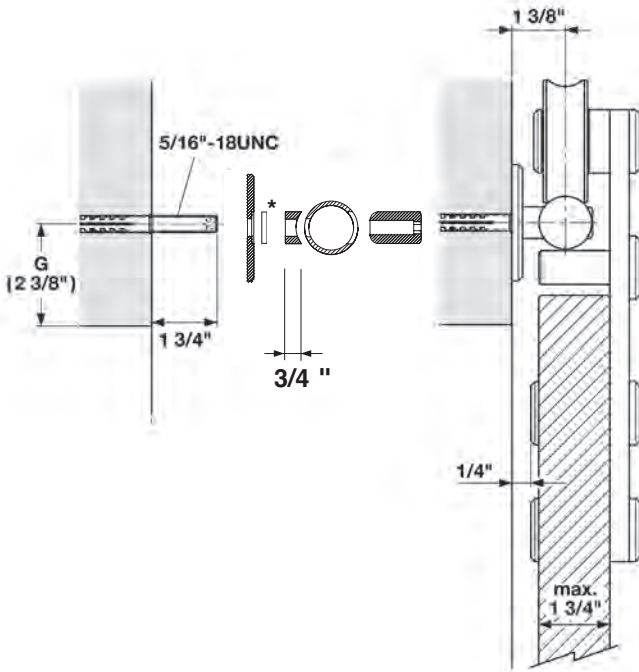


Make door handle clearance so that fingers do not get pinched when the door is used! See page 5.

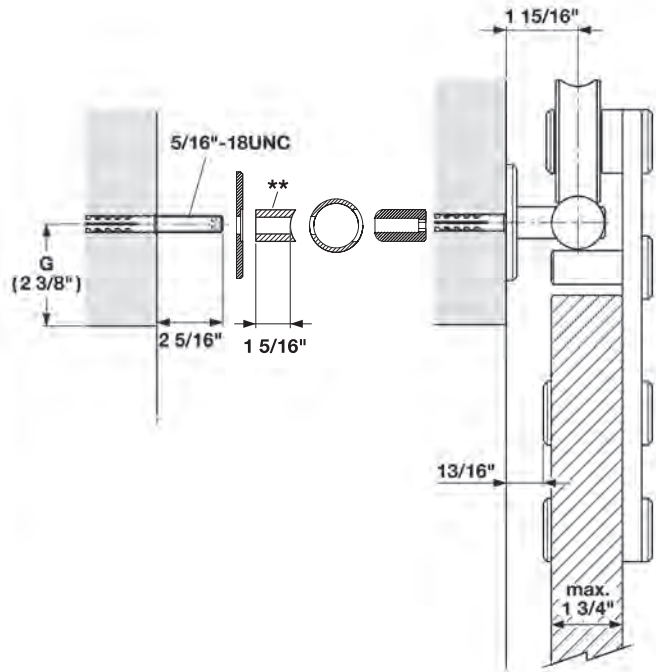
Sliding door fittings **Flatec IV**

for wooden doors (max. 1 3/4" thickness) - Wall fixture


Standard installation



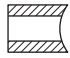
Installation with baseboards and trim



* **Compensation discs** 1/16", 3/16" and 3/8"
To compensate for wall unevenness,
order separately.
(Only 1 piece per wall fixture!)

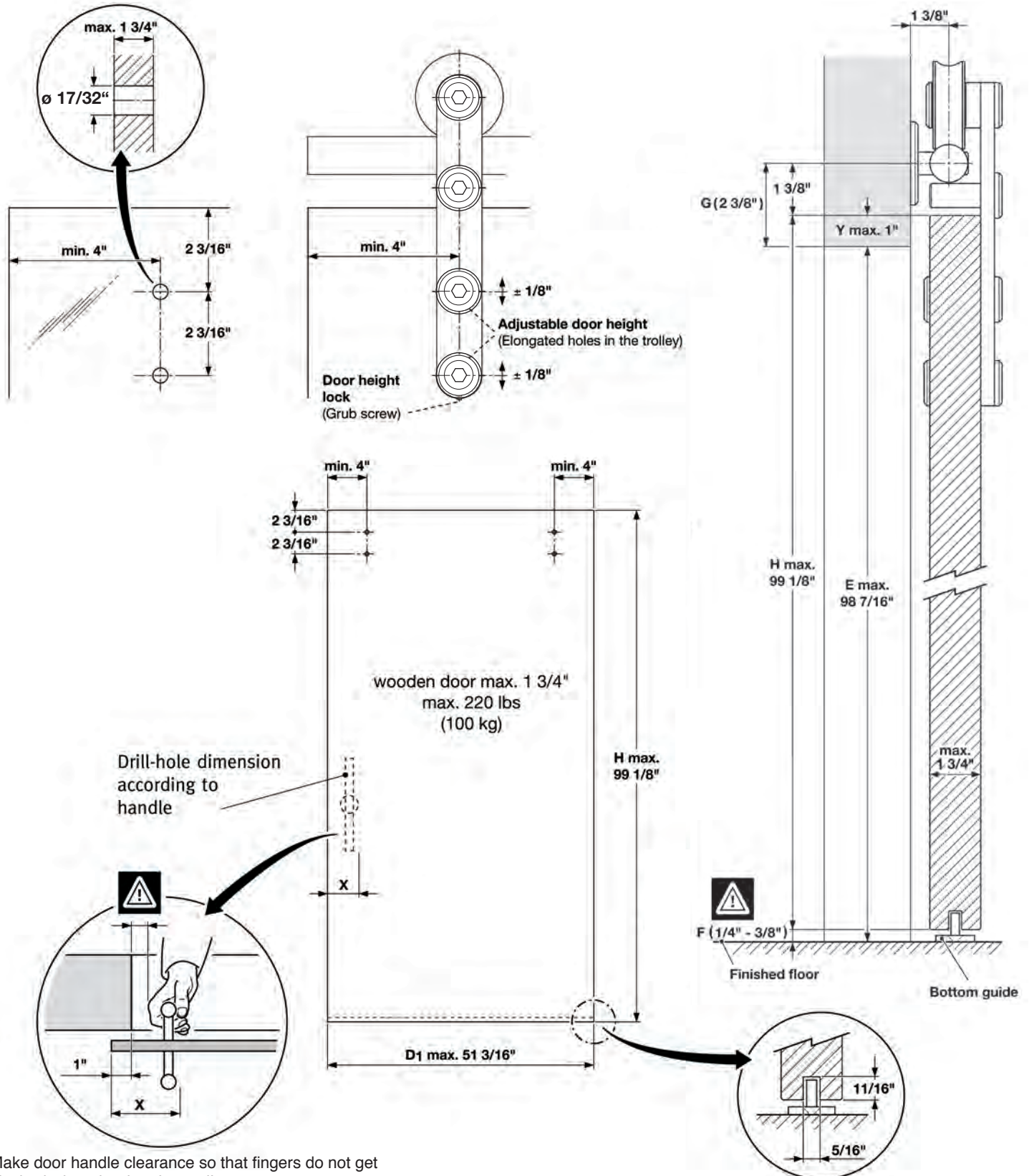
	Art.-No.	inches
	USO216-2EF	1/16"
	USO216-5EF	3/16"
	USO216-10EF	3/8"

** **Spacers** order separately.

	Art.-No.	inches
	USO226-33EF	1 5/16"

Sliding door fittings Flatec IV

for wooden doors (max. 1 3/4") - Preparation of door



Make door handle clearance so that fingers do not get pinched when the door is used!

Sliding door fittings Flatec IV

for wooden doors (1 3/4" thickness)

Required system parts

Please refer to the catalogue for article no's and models!

