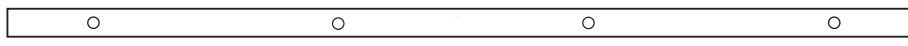
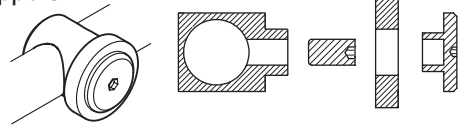


1 Set sliding door fittings **Flatec V**

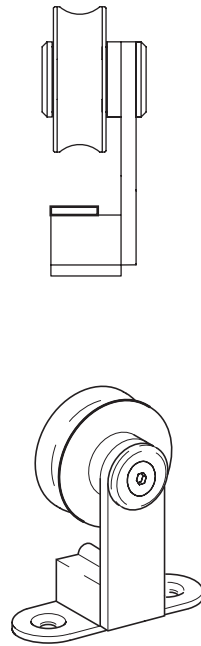
2 Guide rail



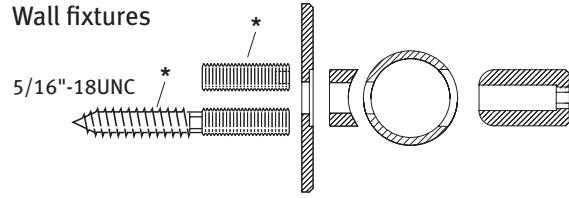
3 Door stoppers



4 Trolley complete

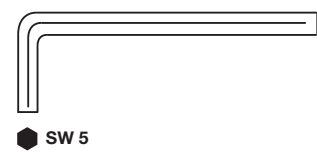


5 Wall fixtures



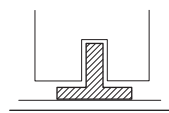
(without screws and dowels, at construction site)
* not included in scope of delivery.

6 Special tool



7 Bottom guide

(without screws and dowels, at construction site)



Comply with all general safety regulations when installing the sliding door fittings!

Installation to be completed by qualified licensed contractor.

Be sure to tighten all screw connections one week after starting to use the sliding door fittings!

Never use scouring agents to clean the sliding door fittings; rather use commercially available stainless-steel cleaners!



Attention



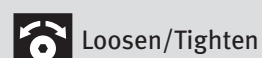
Screw on



Screw on



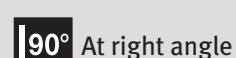
Screw on



Loosen/Tighten



Install



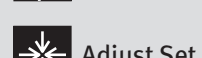
At right angle



Drill



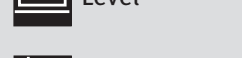
Dowels



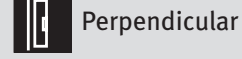
Adjust Set



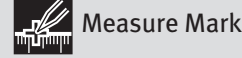
Level



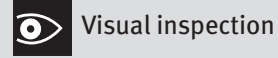
Perpendicular



Measure Mark



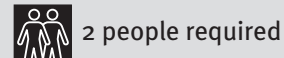
Measure Mark



Visual inspection



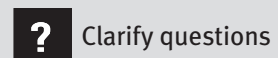
Special-tool



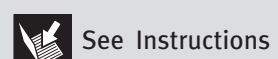
2 people required



Measure



Clarify questions



See Instructions

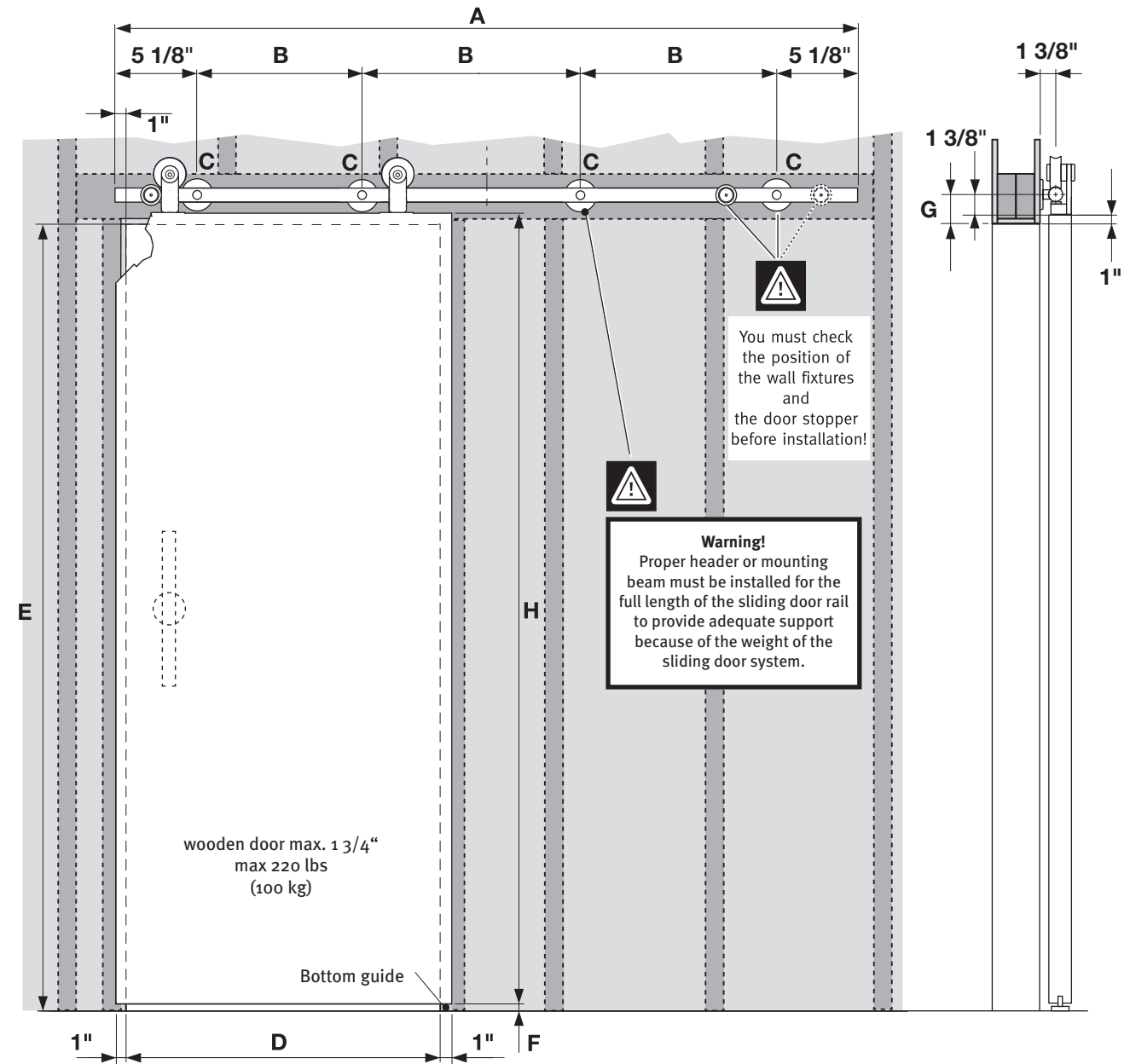


Secure

Installation instructions

Sliding door fittings **Flatec V**

for wooden doors (1 7/16" – 1 3/4" thickness)



Complete-sets

| Set Flatec V Artikel-No. | A inch | B inch | C Each | D inch | E max. inch | F inch | G inch | H max. inch (H=E-F+1") |
|--------------------------|-----------|----------|--------|---------------------|-------------|-----------|--------|------------------------|
| USU96-1800EF | 70 7/8" | 20 1/4" | 4 | 29 1/2" – 35 7/16" | 98 7/16" | 1/4"–3/8" | 2 3/8" | 99 1/8" |
| USU96-2100EF | 82 11/16" | 24 1/8" | 4 | 35 13/16" – 39 3/8" | 98 7/16" | 1/4"–3/8" | 2 3/8" | 99 1/8" |
| USU96-2300EF | 90 9/16" | 20 1/16" | 5 | 39 3/4" – 44 1/16" | 98 7/16" | 1/4"–3/8" | 2 3/8" | 99 1/8" |
| USU96-2540EF | 100" | 22 7/16" | 5 | 44 1/2" – 49 3/16" | 98 7/16" | 1/4"–3/8" | 2 3/8" | 99 1/8" |

Dimensions in inches - Version 11.2011

| Set Flatec V | Set /Each | | | | | | |
|--------------|-----------|---|---|---|---|---|--|
| 1 Art. No. | 2 | 3 | 4 | 5 | 6 | 7 | |
| USU96-1800EF | 1 | 2 | 2 | 4 | 1 | 1 | |
| USU96-2100EF | 1 | 2 | 2 | 4 | 1 | 1 | |
| USU96-2300EF | 1 | 2 | 2 | 5 | 1 | 1 | |
| USU96-2540EF | 1 | 2 | 2 | 5 | 1 | 1 | |

We are not responsible or liable for damage or injury to any persons or property due to improper installation of it's products. All liabilities reside solely with the installer.

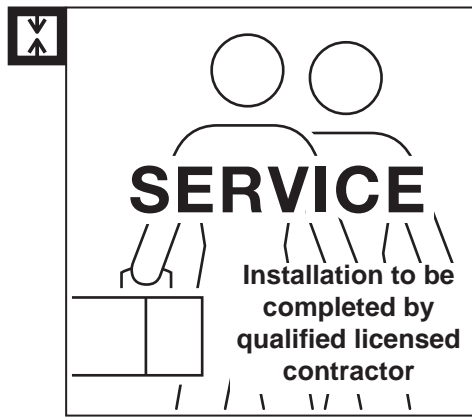


Fig. 1

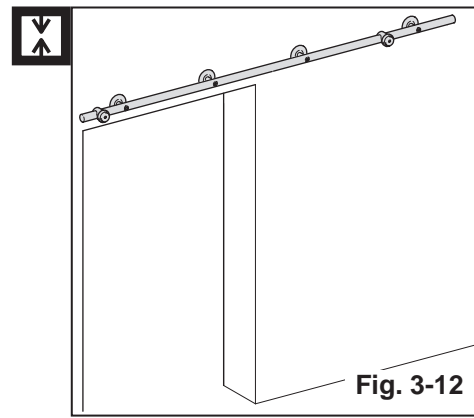


Fig. 3-12

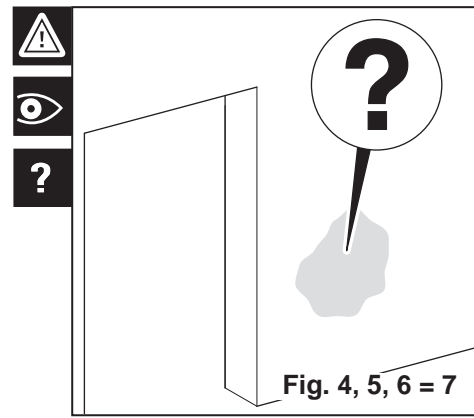


Fig. 4, 5, 6 = 7

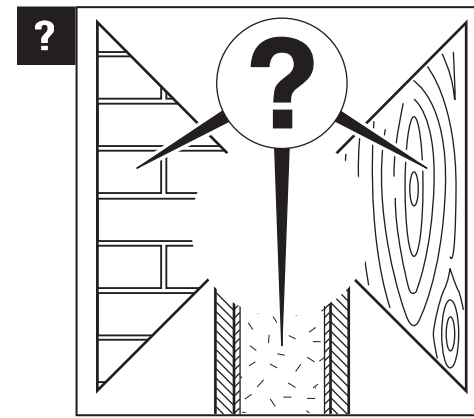


Fig. 4

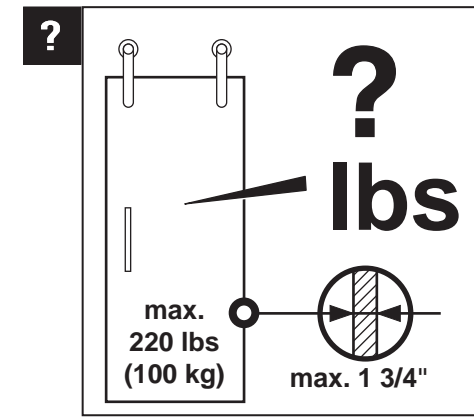


Fig. 5

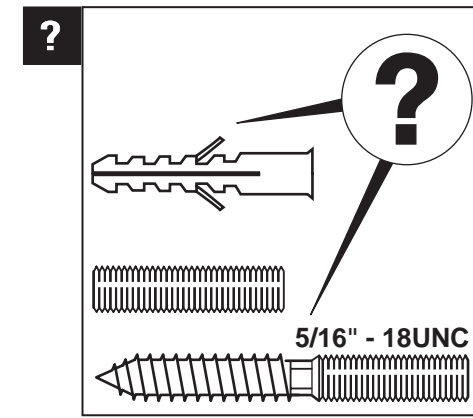


Fig. 6

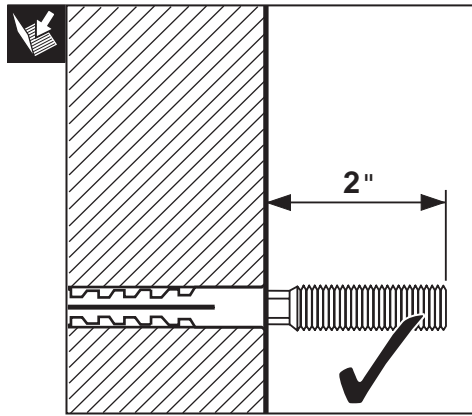


Fig. 7

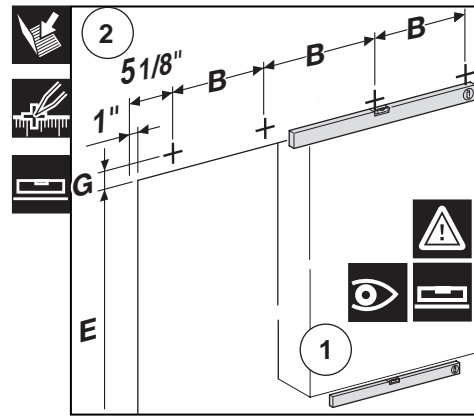


Fig. 8

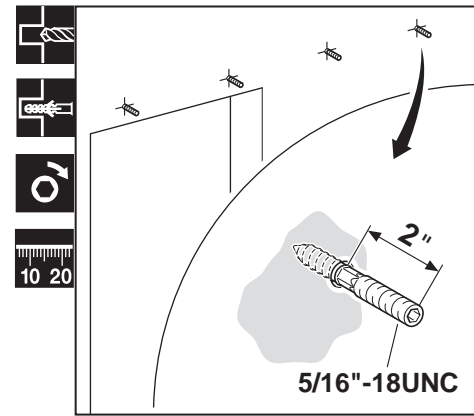


Fig. 9

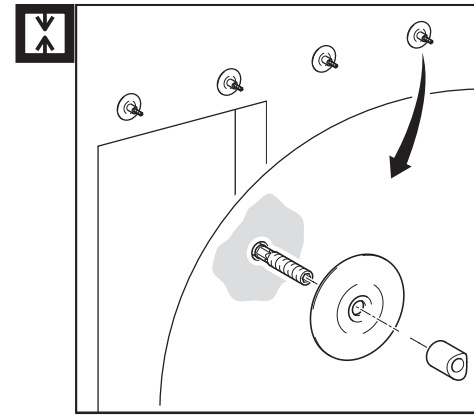


Fig. 10

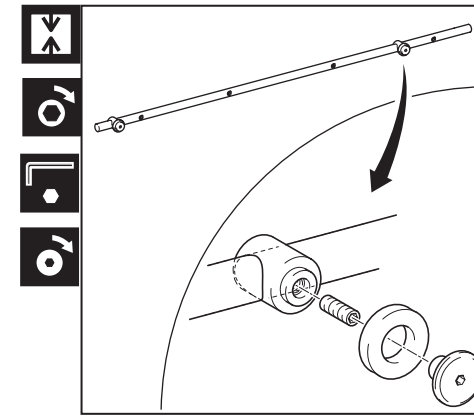


Fig. 11

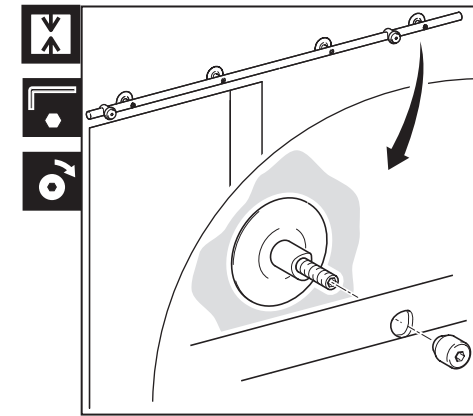


Fig. 12

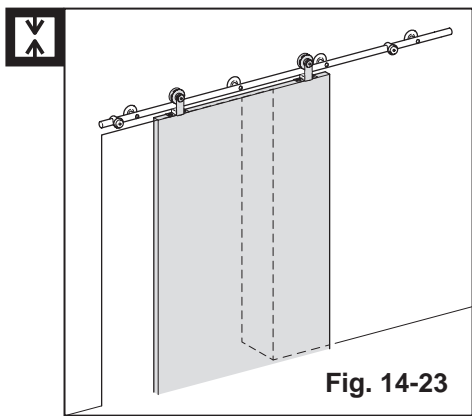


Fig. 14-23

Fig. 13

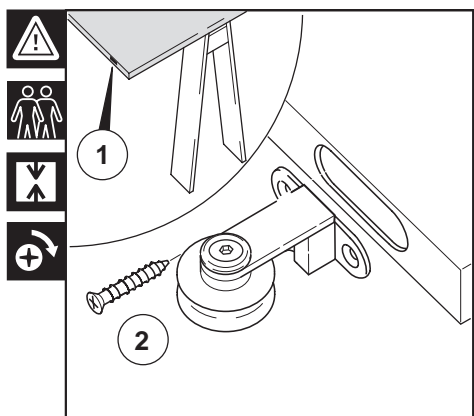


Fig. 14

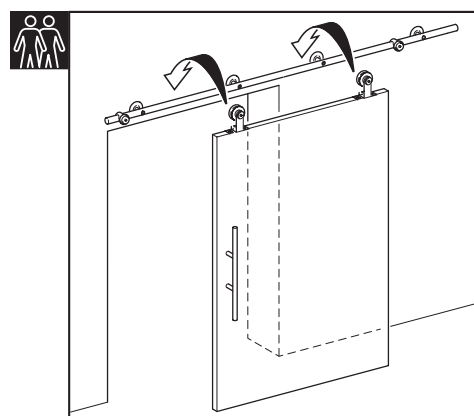


Fig. 15

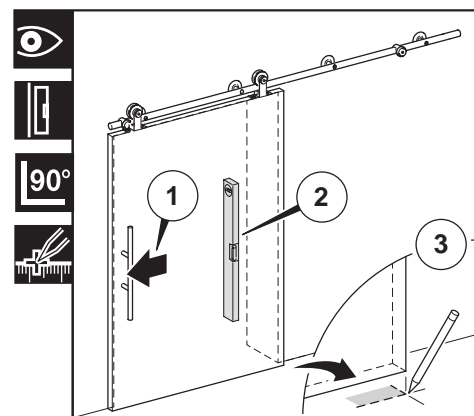


Fig. 16

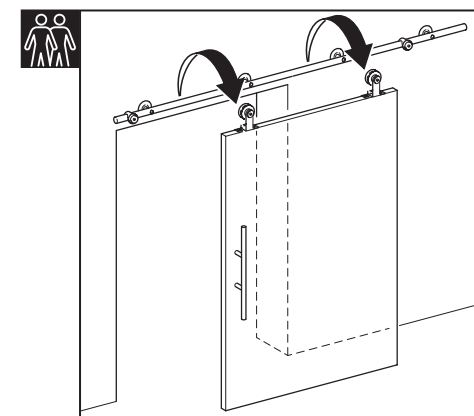


Fig. 17

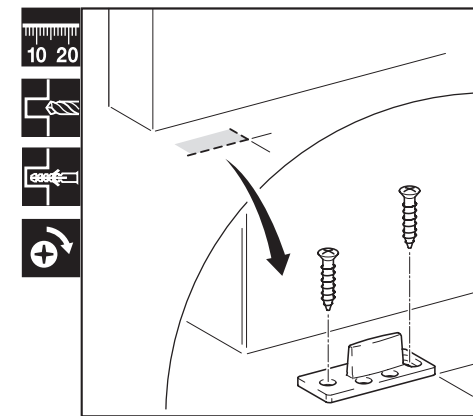


Fig. 18

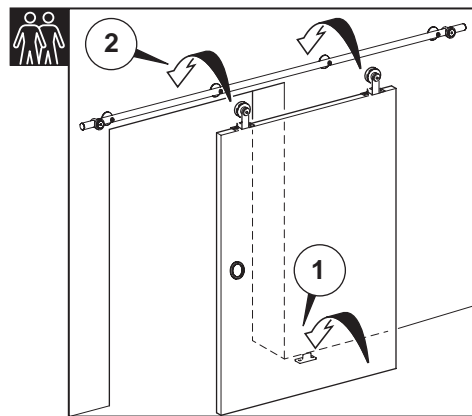


Fig. 19

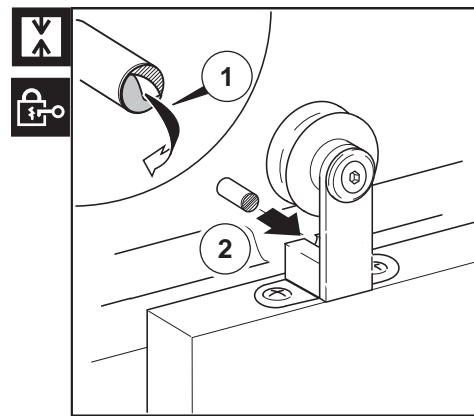


Fig. 20

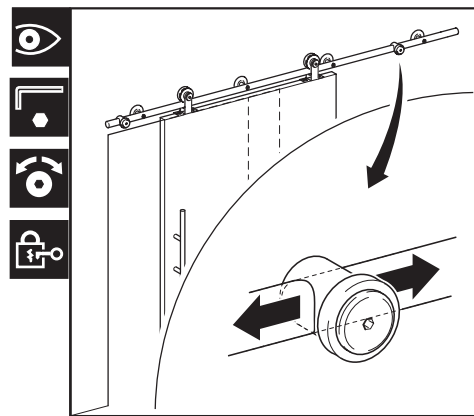


Fig. 21

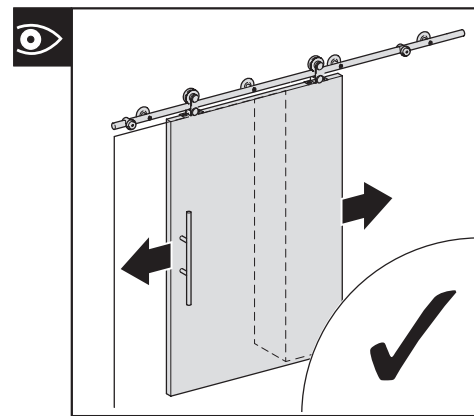


Fig. 22

Installation instructions Sliding door fittings Flatec V

for wooden doors (1 7/16" - 1 3/4" thickness)