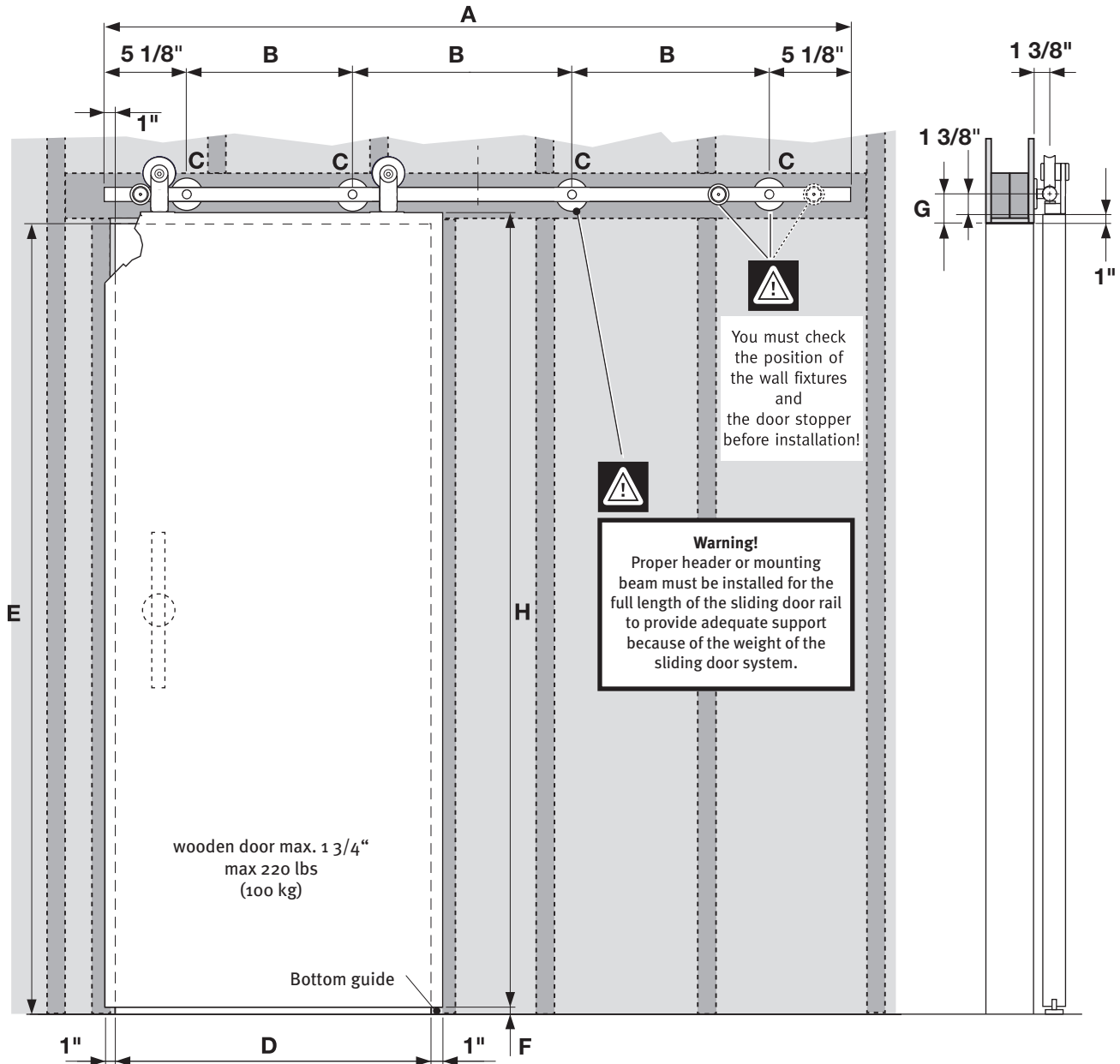


Planning guide

Sliding door fittings Flatec V for wooden doors (1 7/16" 1 3/4" thickness)



Complete-sets

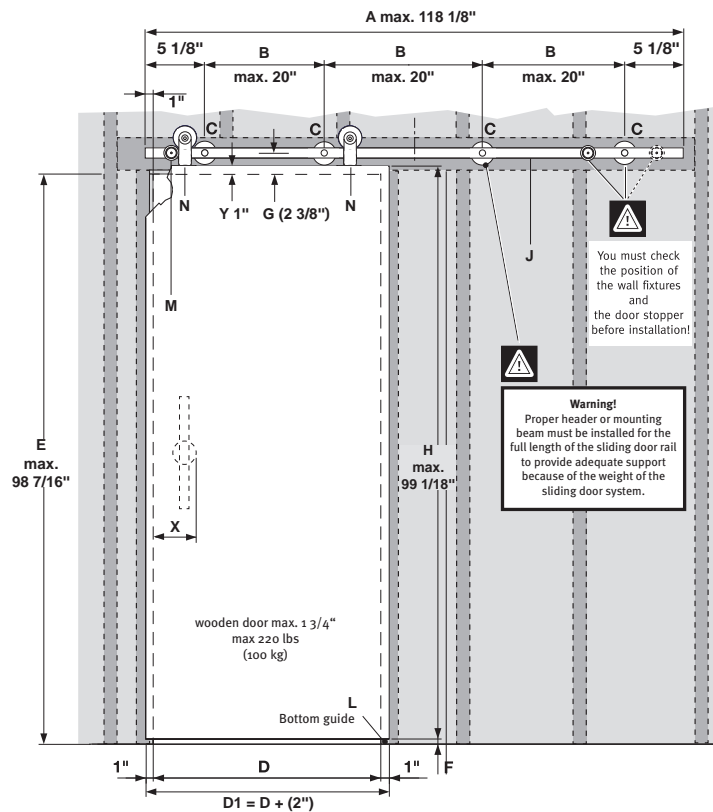
Set Flatec V Artikel-No.	A inch	B inch	C Each	D inch	E max. inch	F inch	G inch	H max. inch (H=E-F+1")
USU96-1800EF	70 7/8"	20 1/4"	4	29 1/2" – 35 7/16"	98 7/16"	1/4"–3/8"	2 3/8"	99 1/8"
USU96-2100EF	82 11/16"	24 1/8"	4	35 13/16" – 39 3/8"	98 7/16"	1/4"–3/8"	2 3/8"	99 1/8"
USU96-2300EF	90 9/16"	20 1/16"	5	39 3/4" – 44 1/16"	98 7/16"	1/4"–3/8"	2 3/8"	99 1/8"
USU96-2540EF	100"	22 7/16"	5	44 1/2" – 49 3/16"	98 7/16"	1/4"–3/8"	2 3/8"	99 1/8"

Sliding door fittings **Flatec V**

for wooden doors (1 7/16" 1 3/4" thickness) - 1 door

Manufacturing dimensions (special model)												
inches		Each	inches						lbs	Each		
A	B	C	D	D ₁	E max. 98 7/16"	F 1/4"-3/8"	G	H max. 99 1/8" (H = E - F + Y)	load bearing capacity of the guide rail J	L	M	N
							2 3/8"			1	2	2

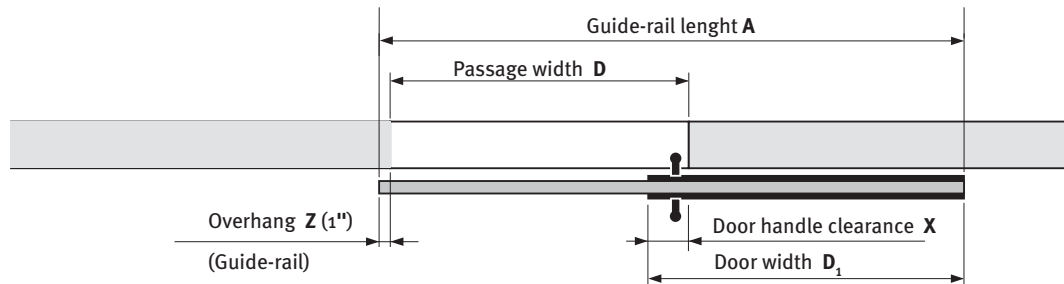
- A = Guide-rail length
 - B = Drill hole clearance
 - C = Wall fixture
 - D = Passage width
 - D₁ = Door width
 - E = Passage height
 - F = Door - floor clearance
 - G = Fastening clearance
 - H = Door height
 - J = Load-bearing capacity of the guide rail
 - L = Bottom guide
 - M = Door stopper
 - N = Trolley
 - X = Door knob clearance
 - Y = Door height overhang
 - Z = Guide-rail overhang
- () = recommended!



You must check the position of the wall fixtures and the door stopper before installation!

Warning!
Proper header or mounting beam must be installed for the full length of the sliding door rail to provide adequate support because of the weight of the sliding door system.

Calculation for guide-rail length A for 1 door



Overhang Z + Passage width D + Door width D₁ - Door handle clearance X = Guide-rail length A

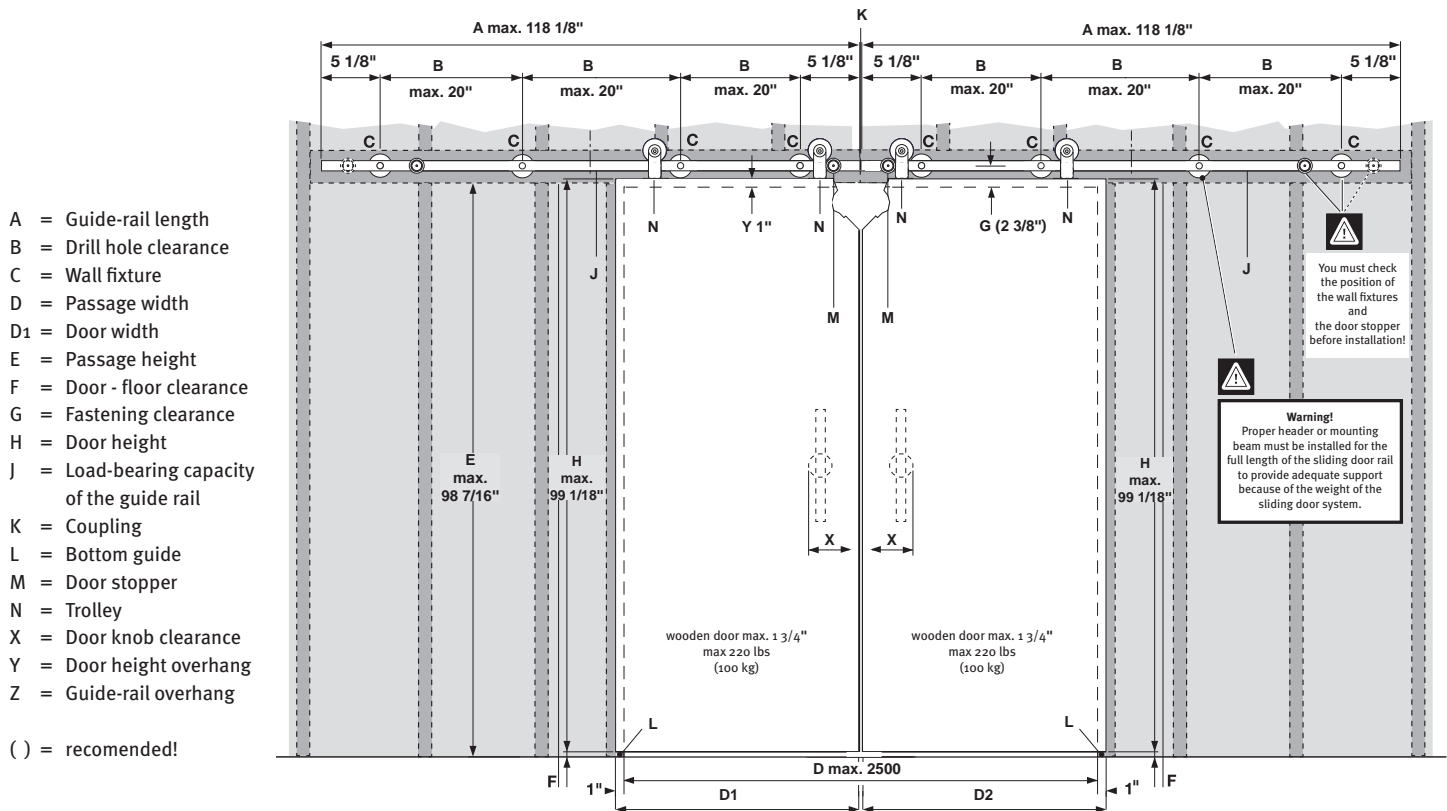


Make door handle clearance so that fingers do not get pinched when the door is used! See page 5.

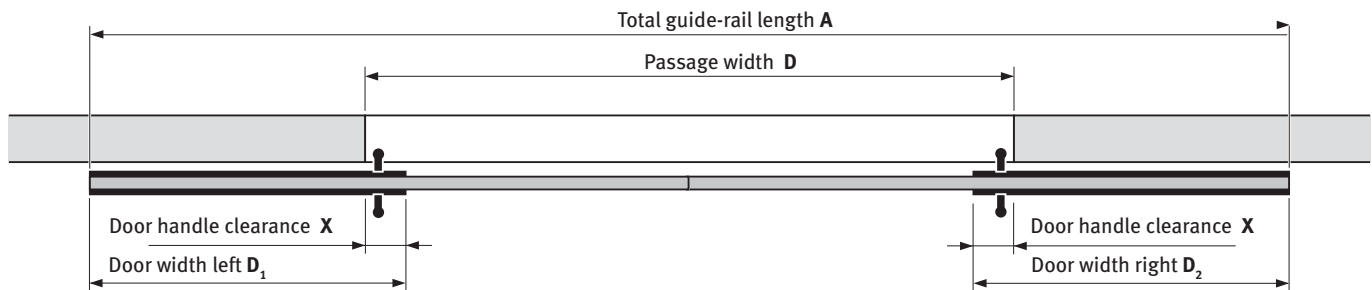
Sliding door fittings **Flatec V**

for wooden doors (1 7/16" 1 3/4" thickness) - 2 doors

inches		Manufacturing dimensions (special model)										lbs	Each			
A	B ₁	B ₂	C	D	D ₁	D ₂	E max. 98 7/16"	F 1/4"- 3/8"	G	H max. 99 1/8" (H = E - F + Y)	load bearing capacity of the guide rail J	K	L	M	N	
									2 3/8"			1	2	4	4	



Calculation for total guide-rail length A for 2 doors



$$\text{Door width } D_1 - \text{Door handle clearance } X + \text{Passage width } D + \text{Door width } D_2 - \text{Door handle clearance } X = \text{Total guide-rail length } A$$

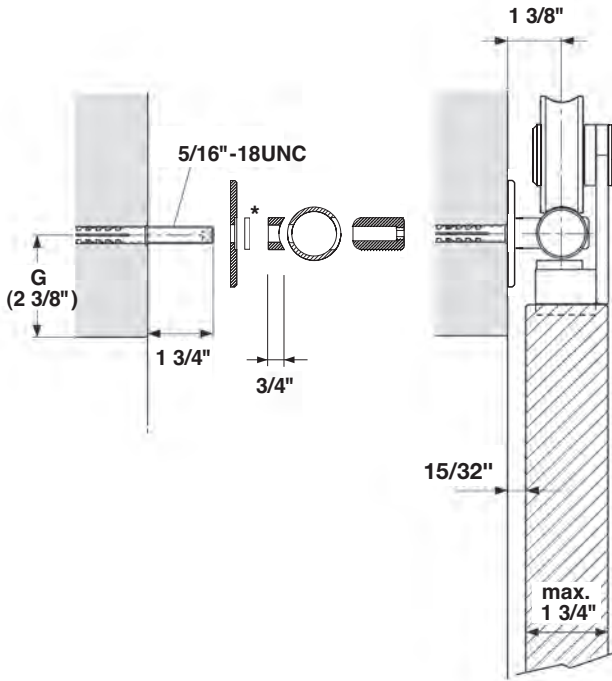


Make door handle clearance so that fingers do not get pinched when the door is used! See page 5.

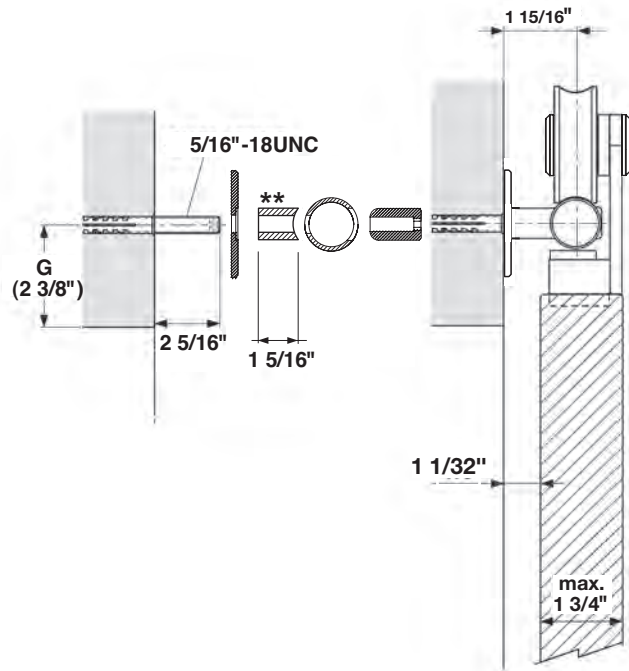
Sliding door fittings **Flatec V**

for wooden doors (1 7/16" - 1 3/4") - Wall fixture


Standard installation



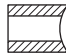
Installation with baseboards and trim



* **Compensation discs** 1/16", 3/16" and 3/8"
 To compensate for wall unevenness,
 order separately.
 (Only 1 piece per wall fixture!)

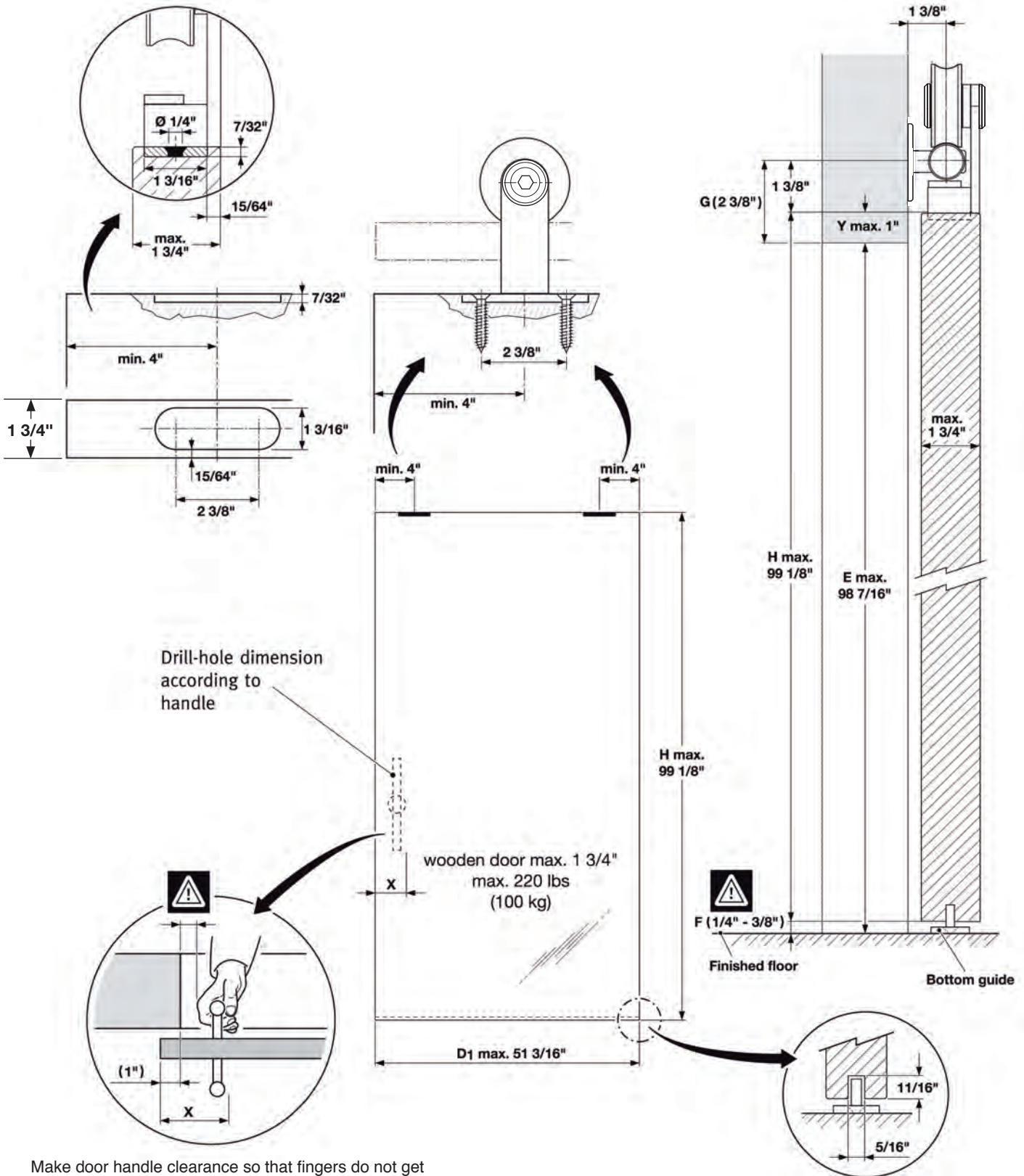
	Art.-No.	inches
	USO216-2EF	1/16"
	USO216-5EF	3/16"
	USO216-10EF	3/8"

** **Spacers** order separately.

	Art.-No.	inches
	USO226-33EF	1 5/16"

Sliding door fittings **Flatec V**

for wooden doors (1 7/16" - 1 3/4") - Preparation of door



Make door handle clearance so that fingers do not get pinched when the door is used!

Sliding door fittings **Flatec V**

for wooden doors (1 7/16" 1 3/4" thickness)

Required system parts

Please refer to the catalogue for article no's and models!

