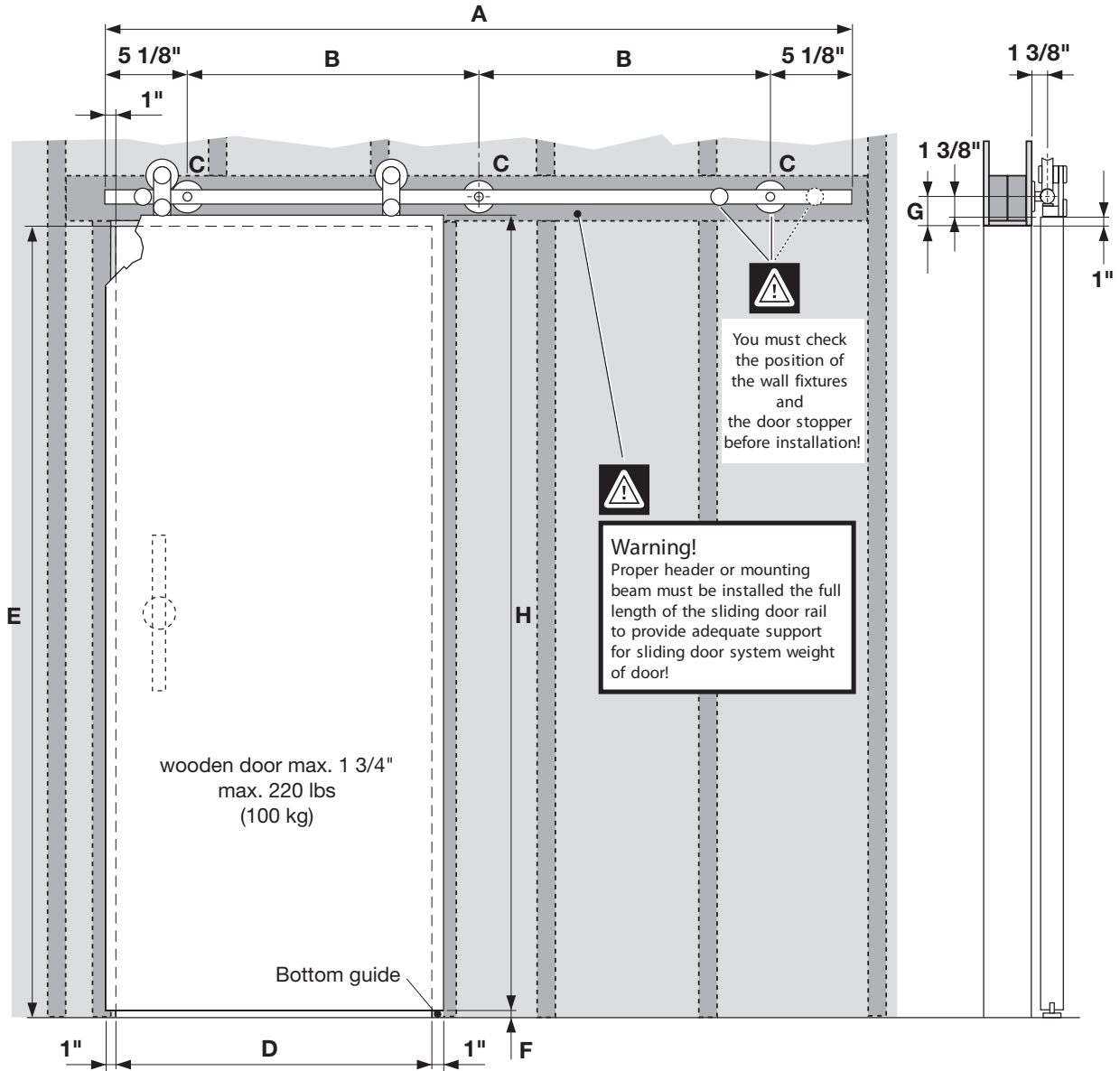


Sliding Door Fittings **Flatec II** Installation for wood doors (max. 1 3/4" thickness)



Complete-sets (standard model)

Set Flatec II Art. No.	A inch	B inch	C Each	D inch	E max. inch	F inch	G inch	H max. inch (H = E - F + 1")
941.07.015	70 7/8"	30 5/16"	3	29 1/2" - 35 7/16"	98 7/16"	1/4" - 3/8"	2 3/8"	99 1/8"
941.07.016	82 11/16"	24 1/8"	4	35 13/16" - 39 3/8"	98 7/16"	1/4" - 3/8"	2 3/8"	99 1/8"
941.07.017	90 9/16"	26 3/4"	4	39 3/4" - 44 1/16"	98 7/16"	1/4" - 3/8"	2 3/8"	99 1/8"
941.07.018	100"	29 15/16"	4	44 1/2" - 49 3/16"	98 7/16"	1/4" - 3/8"	2 3/8"	99 1/8"

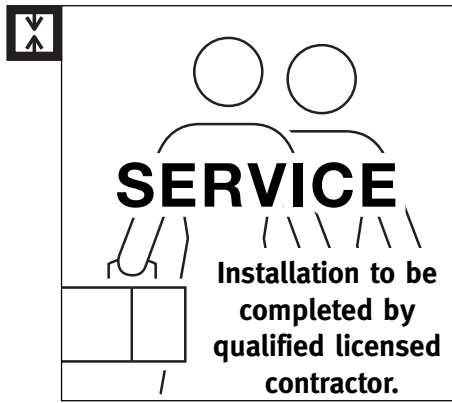


Fig. 1

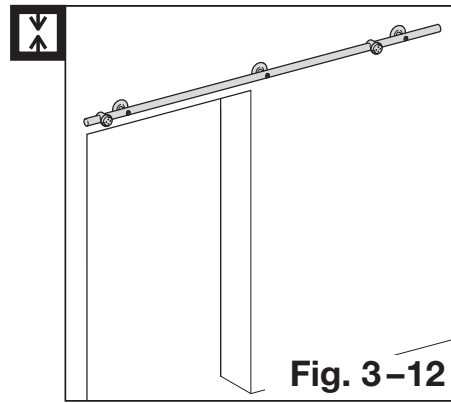


Fig. 3-12

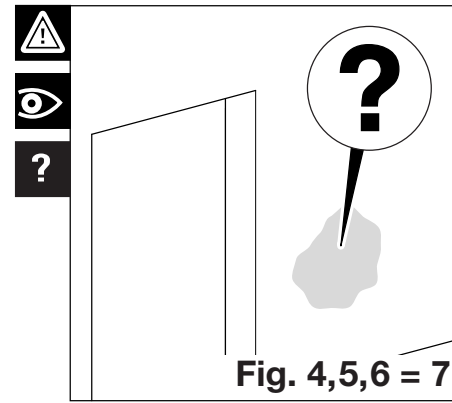


Fig. 4,5,6 = 7

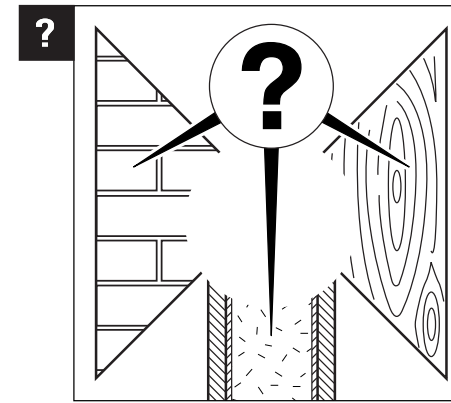


Fig. 4

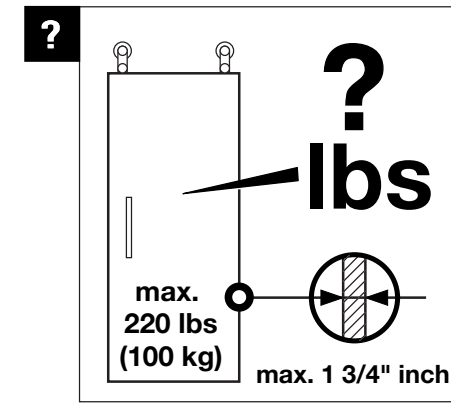


Fig. 5

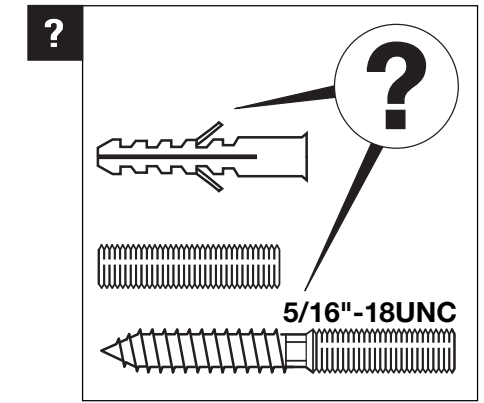


Fig. 6

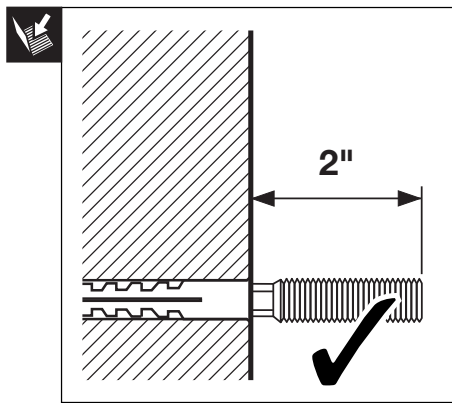


Fig. 7

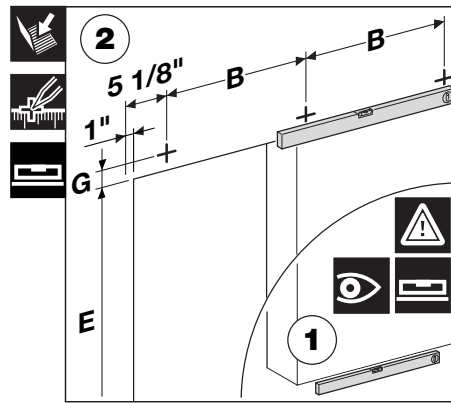


Fig. 8

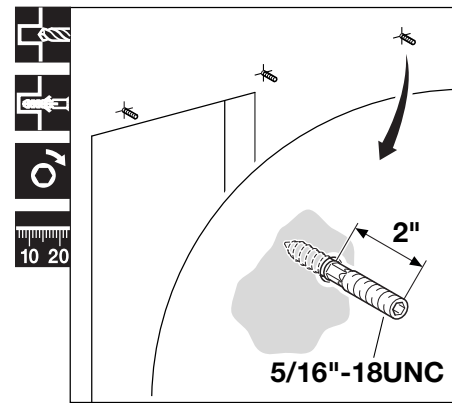


Fig. 9

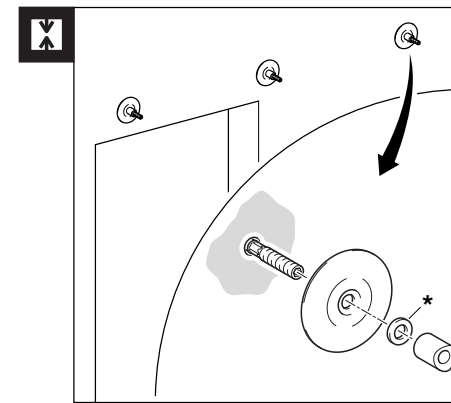


Fig. 10

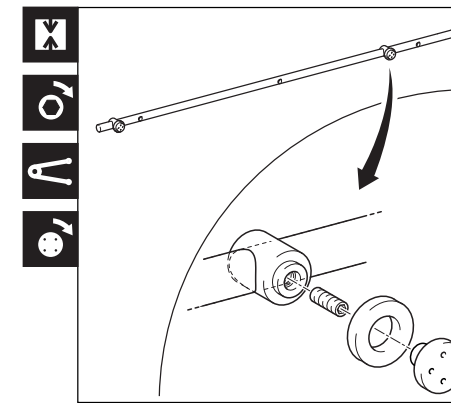


Fig. 11

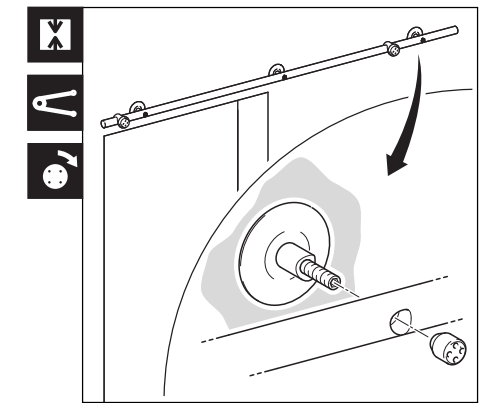


Fig. 12

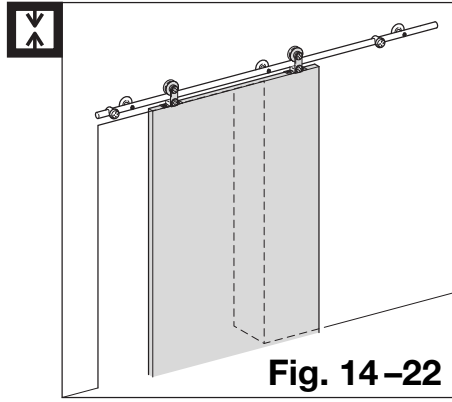


Fig. 13

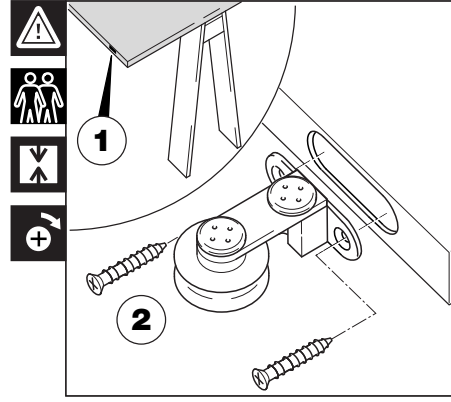


Fig. 14

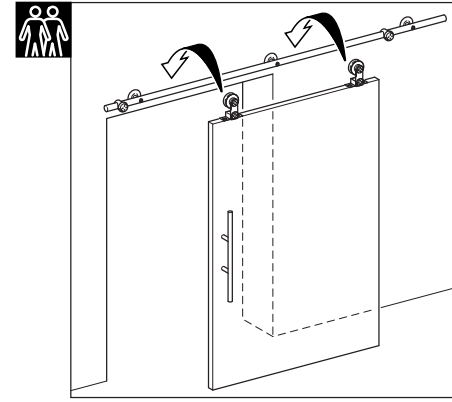


Fig. 15

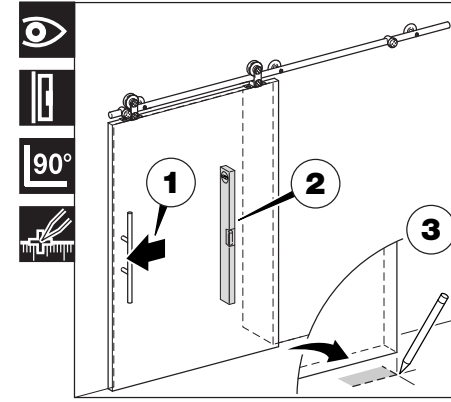


Fig. 16

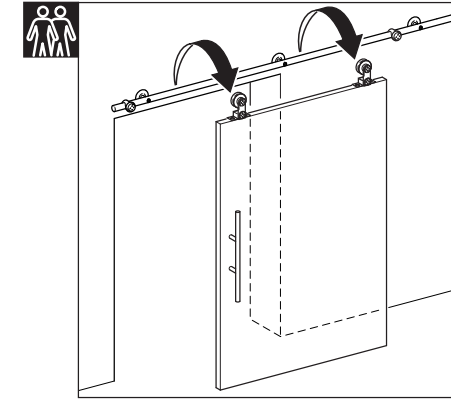


Fig. 17

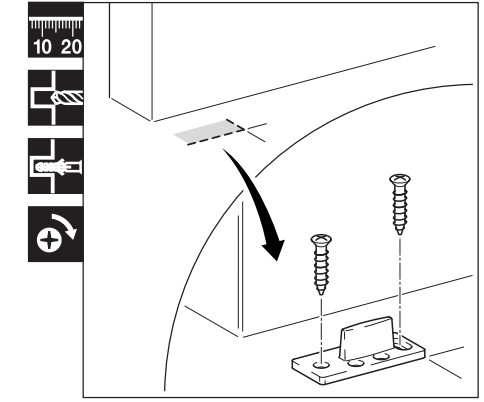


Fig. 18

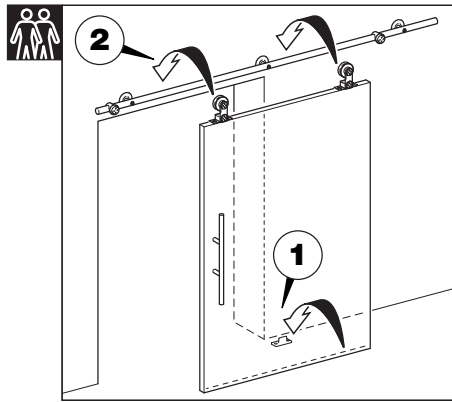


Fig. 19

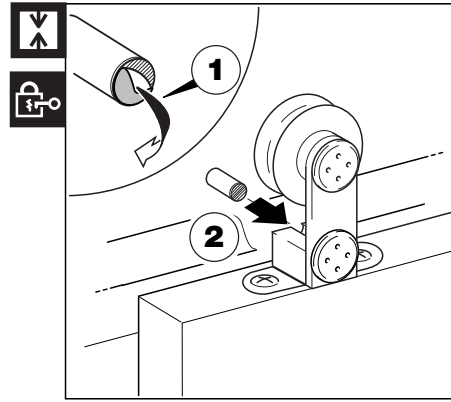


Fig. 20

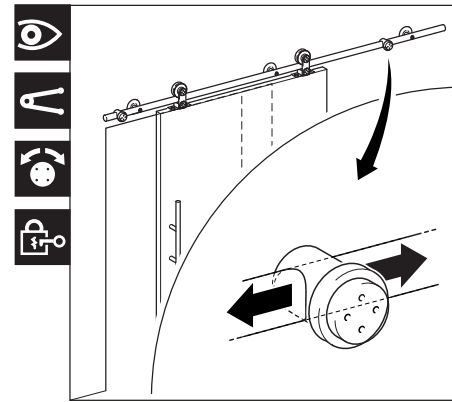


Fig. 21

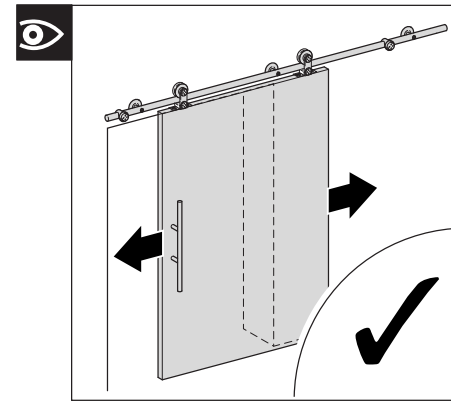
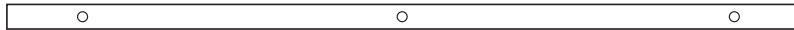


Fig. 22

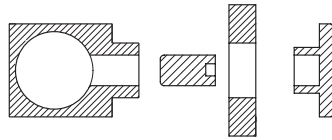
Installation instructions Sliding door fittings Flatec II for wooden doors (max. 1 3/4" thickness)

1 Set sliding door fittings Flatec II

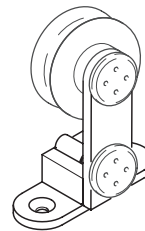
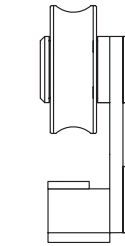
2 Guide rail



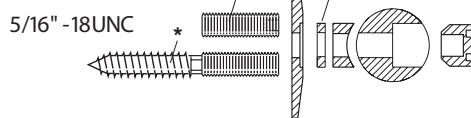
3 Door stoppers



4 Trolley complete
(without screws,
at construction site)



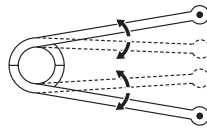
5 Wall fixtures



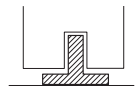
(without screws and dowels, at construction site)

* not included in scope of delivery.

6 Special tool



7 Bottom guide



(without dowels and screws, at construction site)

Set Flatec II Art. No.	Set / Each						
1	2	3	4	5	6	7	
941.07.015	1	2	2	3	1	1	
941.07.016	1	2	2	4	1	1	
941.07.017	1	2	2	4	1	1	
941.07.018	1	2	2	4	1	1	



Comply with all general safety regulations when installing the sliding door fittings!

Installation to be completed by qualified licensed contractor.

Be sure to tighten all screw connections one week after starting to use the sliding door fittings!

Never use scouring agents to clean the sliding door fittings; rather use commercially available stainless-steel cleaners!



Attention



Screw on



Screw on



Screw on



Loosen / Tighten



Install



At right angle



Drill



Dowels



Adjust Set



Level



Perpendicular



Measure Mark



Visual inspection



Special-tool



2 people required



Measure



Clarify questions



See instructions



Secure