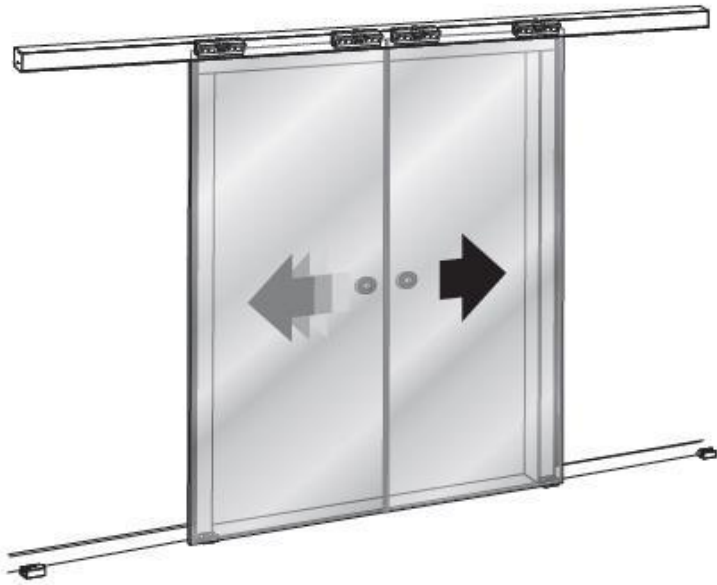
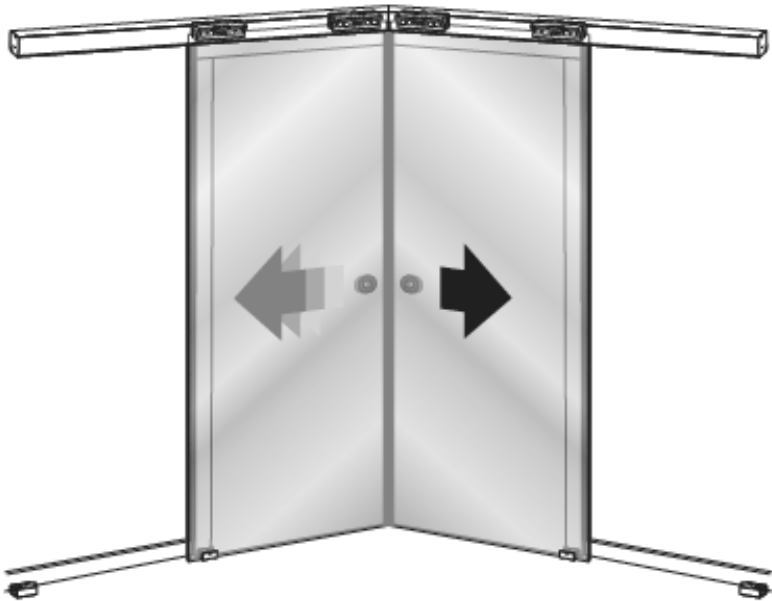


# Covert 144" Series Soft Close Sliding System



- 180° Surface Application with Bi Parting Doors
- Ideal for offices partitions, conference rooms, bedrooms entrances, lounges, etc. Minimalist design with a compact Header track holding panels up to 10' high.
- Minimal gap between the doors and the wall to enhance aesthetic and acoustical features.
- Use of 3/8" and 1/2" glass doors up to 264lbs



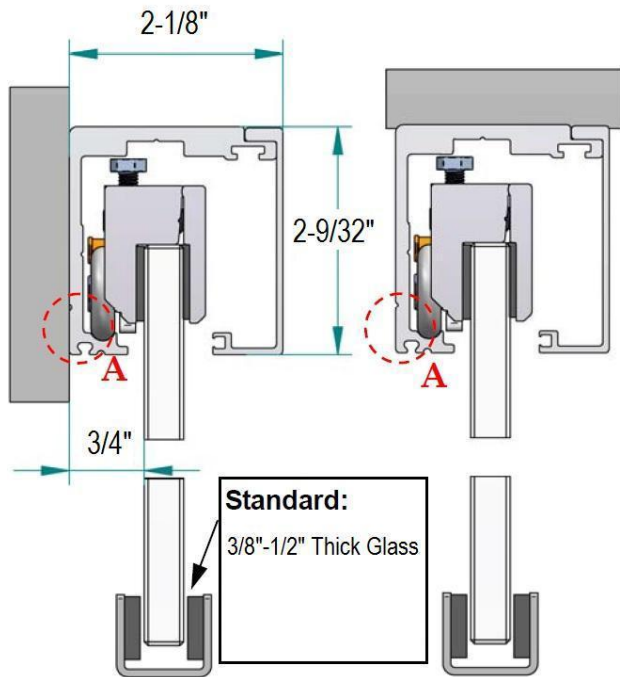
- 90° Corner Unit Application with Bi Parting Doors
- Ideal for offices partitions, conference rooms, bedrooms entrances, lounges, etc. Minimalist design with a compact Header track holding panels up to 10' high.
- Minimal gap between the doors and the wall to enhance aesthetic and acoustical features.
- Use of 3/8" and 1/2" glass doors up to 264lbs

# Covert Series Specifications and Install Instructions

For Wall Mounted

For Ceiling Mounted

For Glass Mounted



**NICE 104 (Option)**  
Aluminum Glass  
Clamp, Cap Type  
For Circle Hole

**Extra Frame Added (A)**  
**(Option) Side panel**

