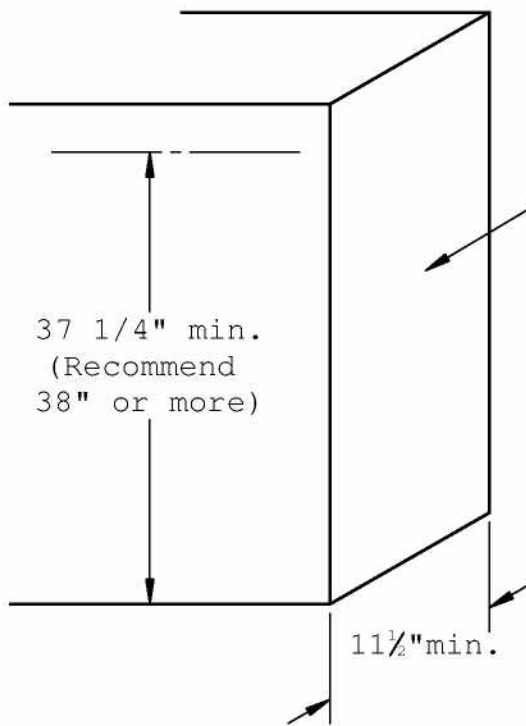
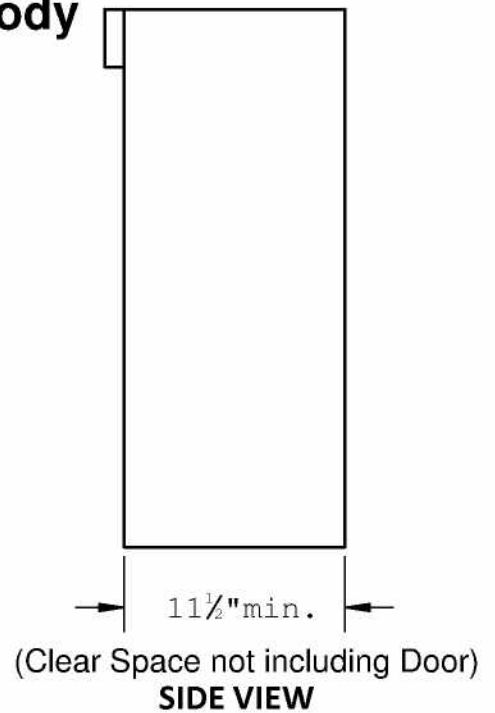
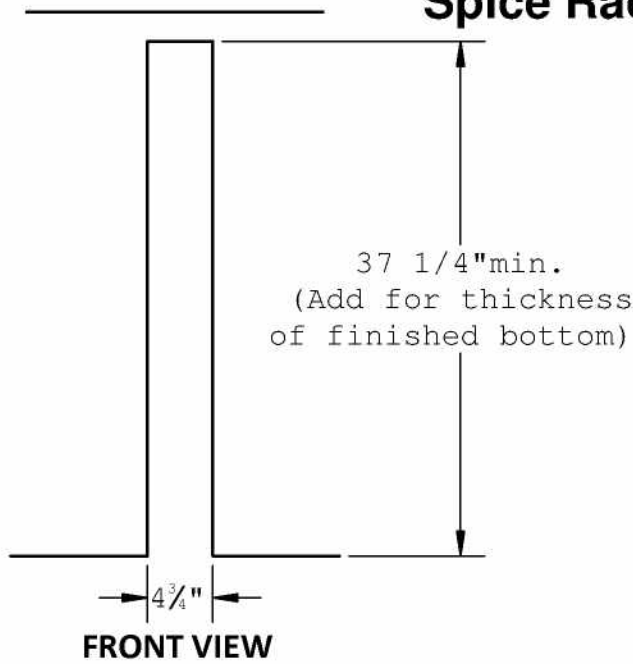


# Installation Specifications

## Item 8003

### Spice Rack/Wide Body



Flat end panel required for mounting  
Back side of mounting plate (Right facing shown, reverse for left facing)

**NOTE: THE DOOR PANEL TO BE ATTACHED TO THE DROPOUT SPICE RACK SHOULD NOT EXCEED 5 LBS. INCLUDING THE HANDLE. OVER SIZED DOORS WILL REDUCE THE WEIGHT CAPACITY OF THIS STORAGE SYSTEM.**

