

Adjustable – KOYO

The KOYO system is a revolutionary modular solution to help meet today's need for flexibility within our work environments. Fast, safe, and easy operation with excellent adjustment range. The system offers an economic, ergonomic, mechanical alternative to electric or pneumatic systems. Available in mobile or stationary solutions with choice of casters or levelers.

Operates on a step-by-step ratchet system. There are 15 settings, 20 mm (13/16") apart which equal a total adjustment range of 300 mm (11 3/4"). When the leg reaches the highest setting, light force is applied slowly returning the leg to the lowest setting. There is no sudden drop back to the low position.

Available with adjustable casters or glides.

Two methods of raising table:

1. Step on leveler or caster, then lift table top.
2. Hold table leg with one hand, then lift table. The KOYO leg is an ideal solution where adjustability is only needed periodically.

The KOYO system has many applications such as, office/contract, training rooms, healthcare, laboratories, hotels, schools, libraries, and residential furniture.

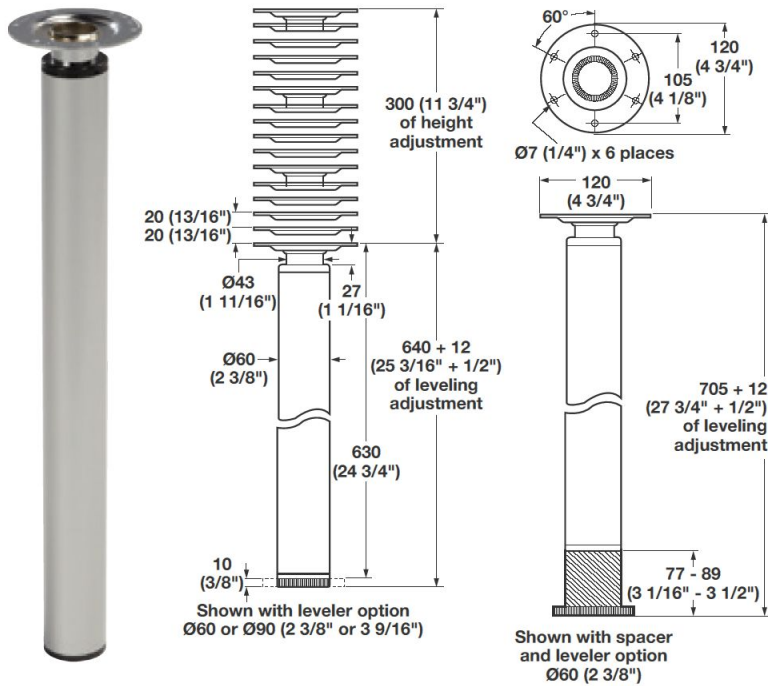
6



Dimensions in mm
Inches are approximate

Adjustable – KOYO Legs

- Meets or exceeds ANSI/BIFMA requirements
- Please note that each leg must be adjusted separately
 Static weight capacity exceeds 227 kg (500 lbs.) per leg



Note

Legs are conveniently marked with a scale to keep track of height level. Leveler plus spacer equals the same height as casters 77 mm (3 1/16")

Leg Ø60 mm

Height adjustment: 300 mm (11 3/4")
 Minimum height with leveler installed: 640 mm (25 3/16")
 Maximum height: 940 mm (37"); spacers/casters add to this height accordingly

Material: Legs: Steel, epoxy-coated
 Mtg. plate & inner column: Steel, chrome-plated

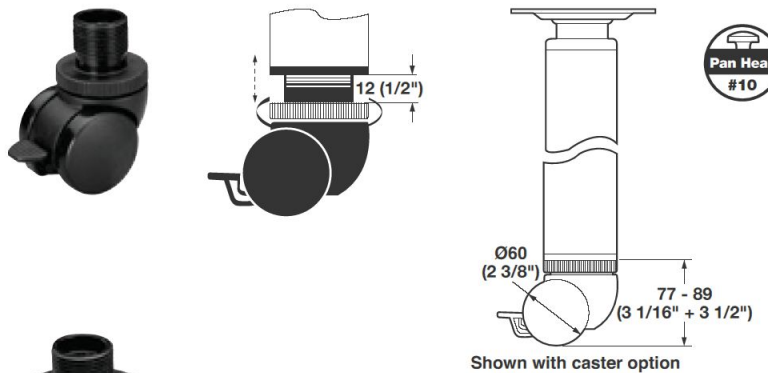
Finish/Color	Item No.
silver/aluminum RAL 9006	635.01.271
black textured	635.01.373

Supplied With

- 4 Legs
- 4 Mounting plates

Note

Mounting screws not included. 6 pcs. per leg required. Levelers, spacers, and casters are sold separately.



Caster with brake Ø60 mm

- Casters are adjustable up to 1/2" for leveling tables on uneven floors
- Leveler plus spacer equals the same height as casters
 Height: 77 mm (3 1/16")

Material: Plastic

Color	Item No.
black	635.01.004

Leveler Ø60 or Ø90 mm

Height: 10 mm (3/8")

Material: Plastic; Color: black

Ø	Item No.
60 (2 3/8")	635.01.001
90 (3 1/2")	635.01.002

Spacer Ø60 mm

Height (leveler): 67 mm + 10 mm = 77 mm
 (2 5/8" + 3/8" = 3 1/16")

Material: Plastic

Color	Item No.
black	635.01.003

Dimensional data not binding. We reserve the right to alter specifications without notice.

Pan head screws pages 11.134-11.135