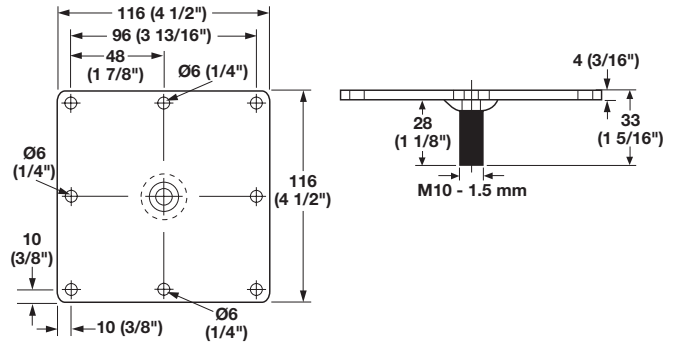
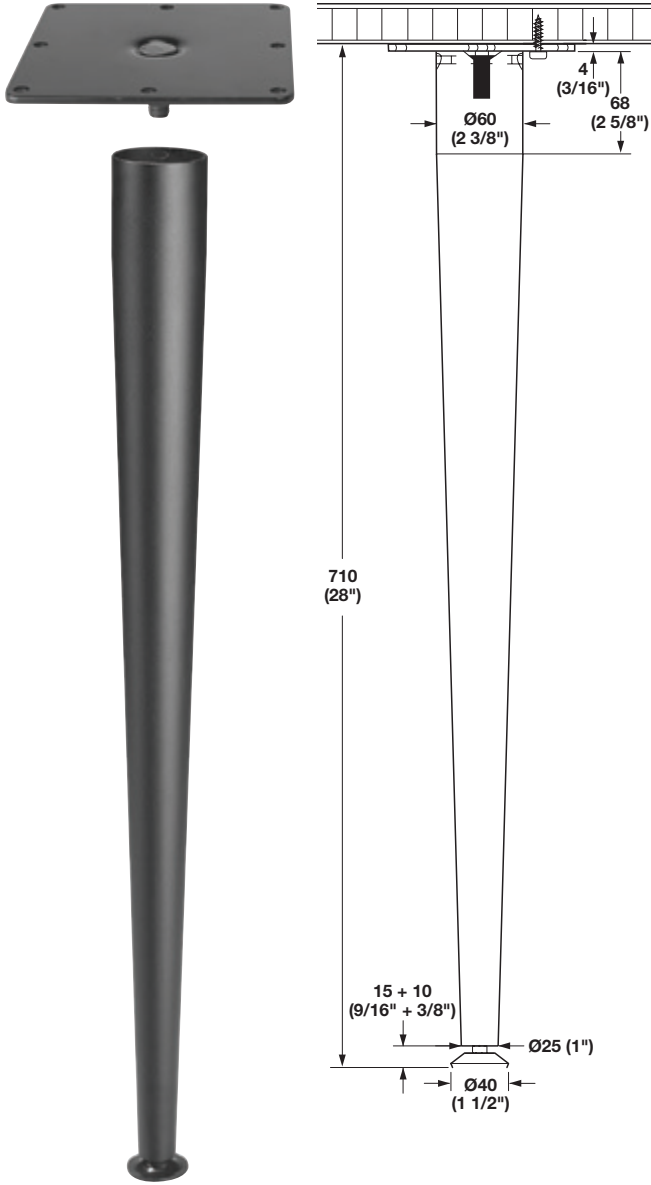


- Leg screws into square mounting plate with M10 bolt
 - Leg tapers from Ø60 to Ø25 mm (2 3/8" to 1")
- Adjustment range: +10 mm (3/8")
 Static weight rating approximately 100 kg (220 lbs.) per leg



Tapered E-Leg

- With adjustable foot: +10 mm (3/8")

Material: Legs: Steel, plated or epoxy-coated
 Leveler: Plastic; Color: black
 Mounting Plate: Steel; Color: black

Finish/Color	Item No.
polished chrome	635.37.277
black textured	635.37.376
satin nickel	635.37.975
silver aluminum RAL 9006	635.37.276

Supplied With

- 4 Legs
- 4 Mounting plates
- Levelers
- Screws #9 x 1"



Dimensional data not binding. We reserve the right to alter specifications without notice.

Dimensions in mm
 Inches are approximate