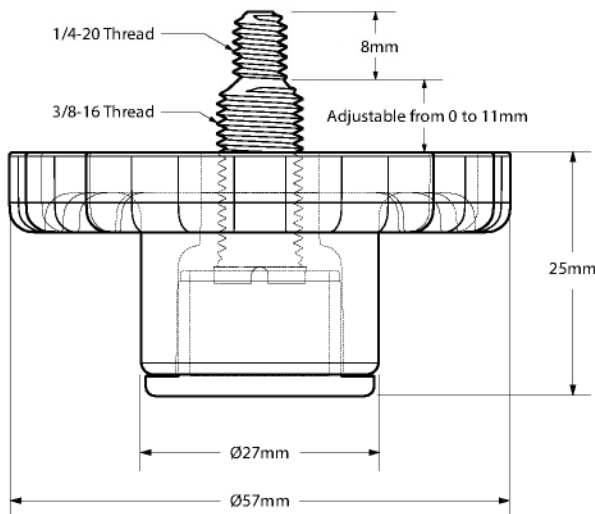
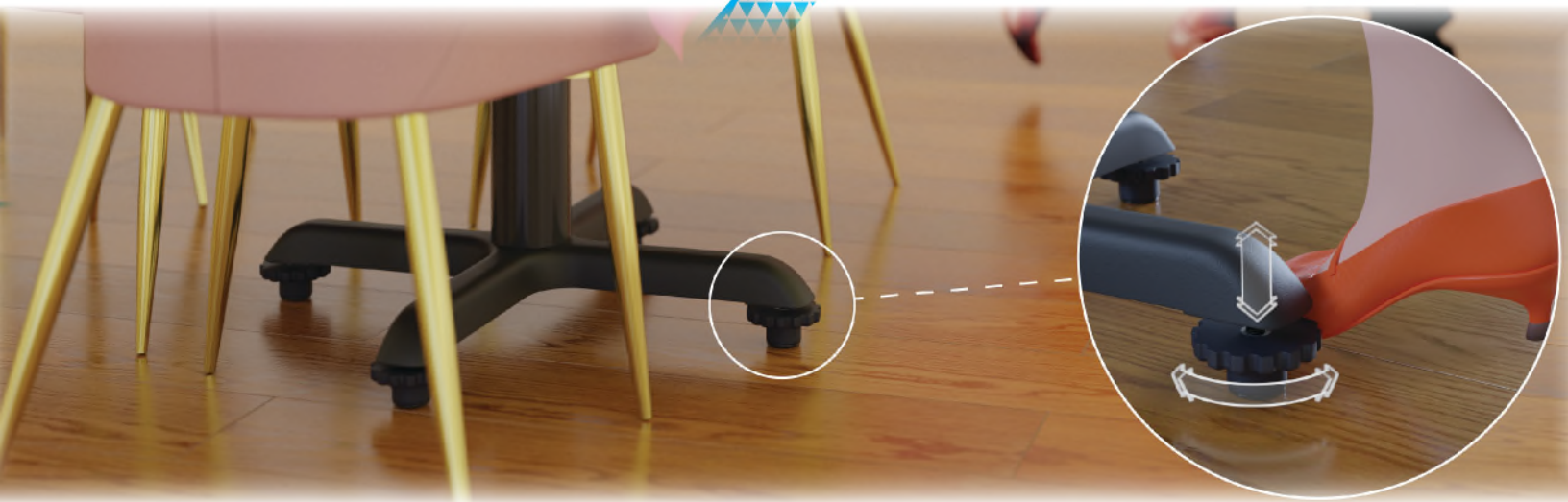


**NEW**

# PronToe™



**THE BEST TABLE LEVELER  
IN THE INDUSTRY**



Patent Pending

PMI introduces the **PronToe™**, a new and efficient way to keep your table bases balanced.

- Made out of High-impact thermoplastic with over-mold stainless steel insert
- 7/16" (11mm) adjustment range on black anodized steel bolt assembly
- ABS Glide for clean and maintenance-free solution
- 180lbs. load capacity per leveler
- Fast and Easy to install with just a screwdriver
- Compatible with all PMI and other X Style Table Bases with a 1/4-20 thread

Item Number	Description
PRONTOE-R	PronToe - Set of 4 Levelers, Retail Display Box
PRONTOE-POLY	PronToe - Set of 4 Levelers, Polybag