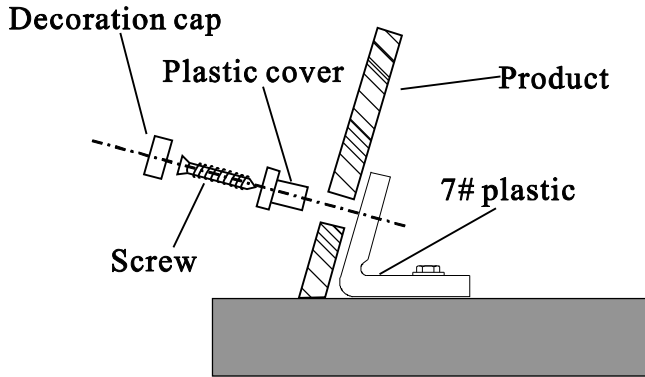
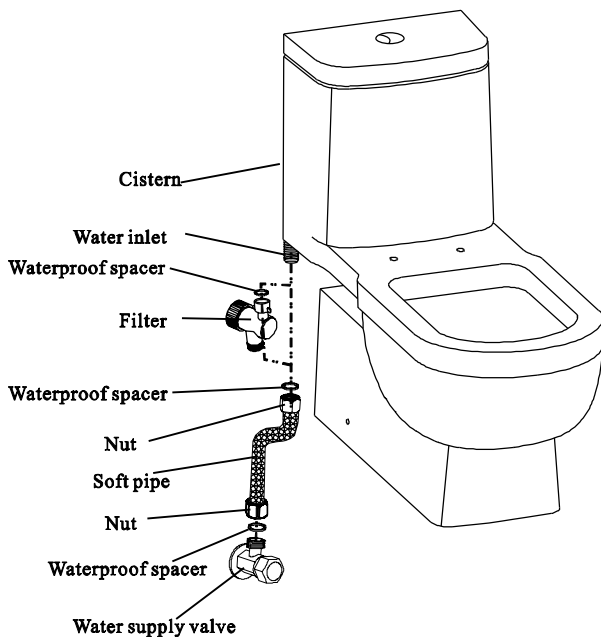


② Fix the product on the floor with screws and plastic covers, then cover the decoration caps.



5. Connect water supply pipe and check sealing performance

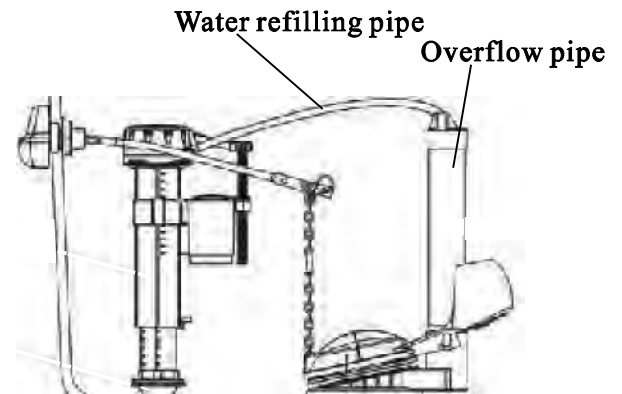
Get the water supply valve and the water inlet with soft connecting pipe. (If the fitting is separated filter, please connect filter first.) Turn on the water supply valve and make sure there is no leakage for every joint. Fasten the nuts a little can prevent leakage.



6. Check Water refilling pipe

Open the cistern cover and make sure the overflow pipe is inserted into the water refilling pipe.

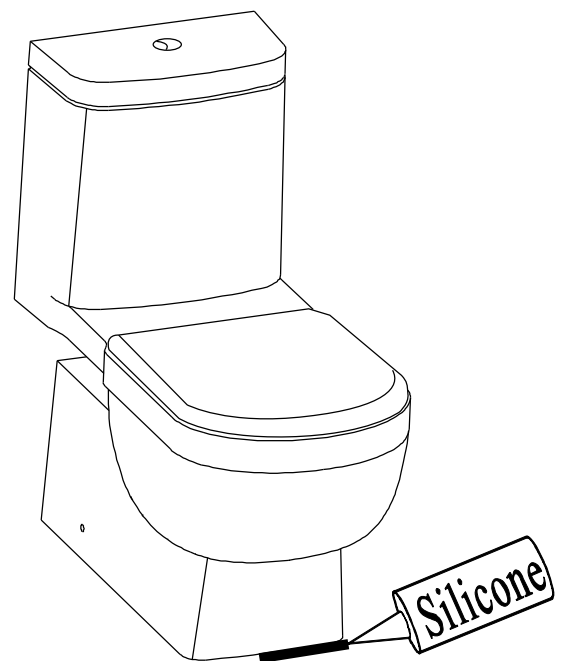
Note: If the water refilling pipe do not insert into the overflow pipe, the flushing water will be inadequate.



7. Install water closet seat

Install the water closet seat according to the installation instruction, then daub a layer of silicone between the product and floor.

Note: Do not use the product immediately after finishing installing. Make sure there is no water around the product about 24 hours.



Troubleshooting

Malfunctions	Reason	Solutions
No incoming water	<ol style="list-style-type: none"> 1.The main water valve does not open. 2.Incoming water filter net is clogged. 3.Floating ball of water inlet valve in cistern does not work. 	<ol style="list-style-type: none"> 1. Turn on the valve. 2. Clean the net. 3. Readjust the floating ball.
Non-stop incoming water	<ol style="list-style-type: none"> 1.Higher water pressure. (The standard is 0.1-0.3MPa) 2.Floating ball of water inlet valve does not work. 3. Water inlet valve is broken. 4.Floating ball of water inlet valve touches the inwall of cistern. 	<ol style="list-style-type: none"> 1.Reduce water pressure. 2.Readjust the floating ball. 3.Call your dealer to replace a new inlet valve. 4.Adjust the direction of floating ball.
Inadequate flushing water	<ol style="list-style-type: none"> 1.The water level of inlet valve is too low. 2.The push button does not reach pushing point. 3.Press the wrong button. (Dual Flush) 	<ol style="list-style-type: none"> 1.Adjust the water inlet valve to appropriate position. 2.Adjust water level rod. 3.Identify small and large flushing button or call you dealer.
Slow drainage (Inadequate suction)	<ol style="list-style-type: none"> 1. The drainage outlet is not aligned with the outside drainage pipe. 2.Drainage pipes are obstructed. 3.Inadequate flushing water. 	<ol style="list-style-type: none"> 1.Readjust or reinstall the product. 2.Clean the drainage pipes. 3.Adjust the water in cistern.
Leakage	<ol style="list-style-type: none"> 1.The hexangular nuts of water inlet valve are not fastened. 2.The water supply spacer of inlet valve is damaged. 3.The water supply spacer on the bottom of cistern is damaged.(Separate Water Closet) 	<ol style="list-style-type: none"> 1.Fasten the nuts. 2.Change the water supply spacers. 3.Change the water supply spacers.
Overflow from drainage pipe	<ol style="list-style-type: none"> 1.Drainage pipes are obstructed. 2. Water outlet pipes are obstructed. 	<ol style="list-style-type: none"> 1.Clean the drainage pipes. 2.Clean the water outlet pipes.

Note:

1. Do not use the sitting wc pan when the water temperature is 0°C below, please stop using it when the temperature is under 0 degree centi grade, and clean away the surplus water in it, otherwise the product will be damaged when the water icing and expanded.
2. Do not throw newspaper, paper diapers, sanitary napkins or other similar articles in the sitting wc pan.
3. Do not impact the ceramic part heavily in case of any damage.
4. To keep the normal flushing function of sitting wc pan, please use a long-handle nylon brush and a neutral cleanser to clean up the flushing hole or pipes, so as to prevent the accumulation of mineral substance. It is suggested to make cleaning once a week.
5. Clean up the filter once a month at least, so as to prevent slow water inletting or water blockage in the tank.
6. Do not use any cleanser in the tank; otherwise, the accessories (rubber) in the tank may be damaged, thus ,causing leakage or damage to the building.

Please follow what is specified below to avoid discoloration, deformation, craze or scratch on water closet seat.

1. Do not expose the water closet seats to sunlight, sources of heat and near the kitchen.
2. Do not use sharp edge or abrasive materials to clean water closet seats.
3. Do not use corrosive chemicals to clean water closet seats.
4. Do not put heavy or hard materials on water closet seats. Such as water closet tank or flowerpot.