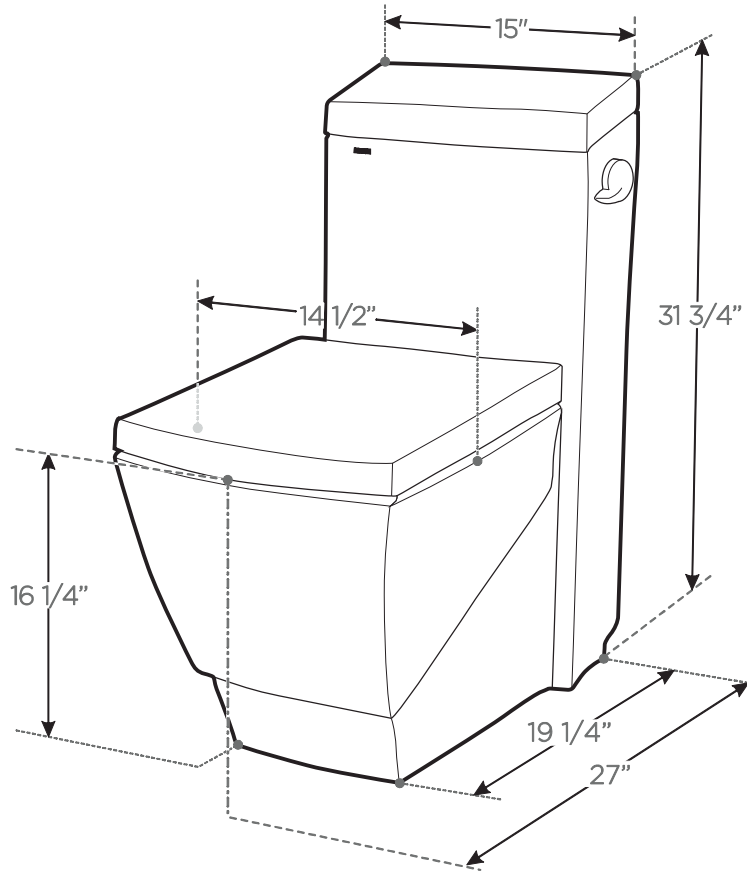


FTL2336
APUS
INSTALLATION GUIDE



Dimensions



Your item may appear slightly different from the illustration

Note: All dimensions are specifications are approximate and subject to change without notice.

Supplied Parts List

Please unpack and inspect all packages and components carefully, make sure they are complete. Examine for shipping damage. If some parts are damaged or missing, notify your dealer immediately.

- | | | | | | | | | |
|----------------------|---------------------|------------------|------------------------|--------------|--------------|-------------------|-----------------------|------------------------------|
| A | B | C | D | E | F | G | H | I |
| | | | | | | | | |
| Toilet body
x1 | Toilet seat
x1 | Tank cover
x1 | Flush handle
x1 | Flange
x1 | Screw
x6 | Screw
x2 | Plastic bracket
x2 | Expansive plastic plug
x6 |
| J | K | L | M | N | O | P | | |
| | | | | | | | | |
| Decoration cap
x2 | Plastic cover
x2 | Bolt
x2 | Expansion rubber
x2 | Hinge
x2 | Gasket
x2 | Hinge cover
x2 | | |

Before Installation

1. Read the instruction carefully to be familiar with the tools, fittings and installation procedures to prevent any unnecessary damage.
2. Check the fittings follow the fitting form and check whether there is any damage of the product
3. Check whether the roughing-in on installing position is aligned with the one of product. Realize all the stipulates for pipelines preposing for water supply.
4. Because the ceramics is easy to be damaged, please handle it gently and the nut should not be overtightened.
5. The floor of installation position should be flat and hard.
6. If you want to change the water closet, please turn off water supply and flush the water closet to make sure no water remains inside the product. Remove the soft pipe for water supply, and unfasten screws. Then remove the water closet and the old gasket and clean the end of the outlet of drainage.

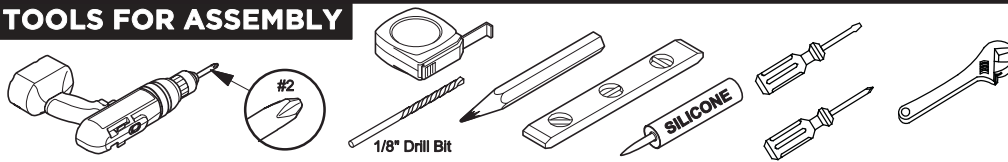
Note: Please plug the drainage outlet on the floor if you do not install the product at once.

7. Make sure the water supply has been turned off.

Note: 1. Refer to the newest information of the printed matter. We reserve the rights to change the features, packing and fittings of the products without notice.

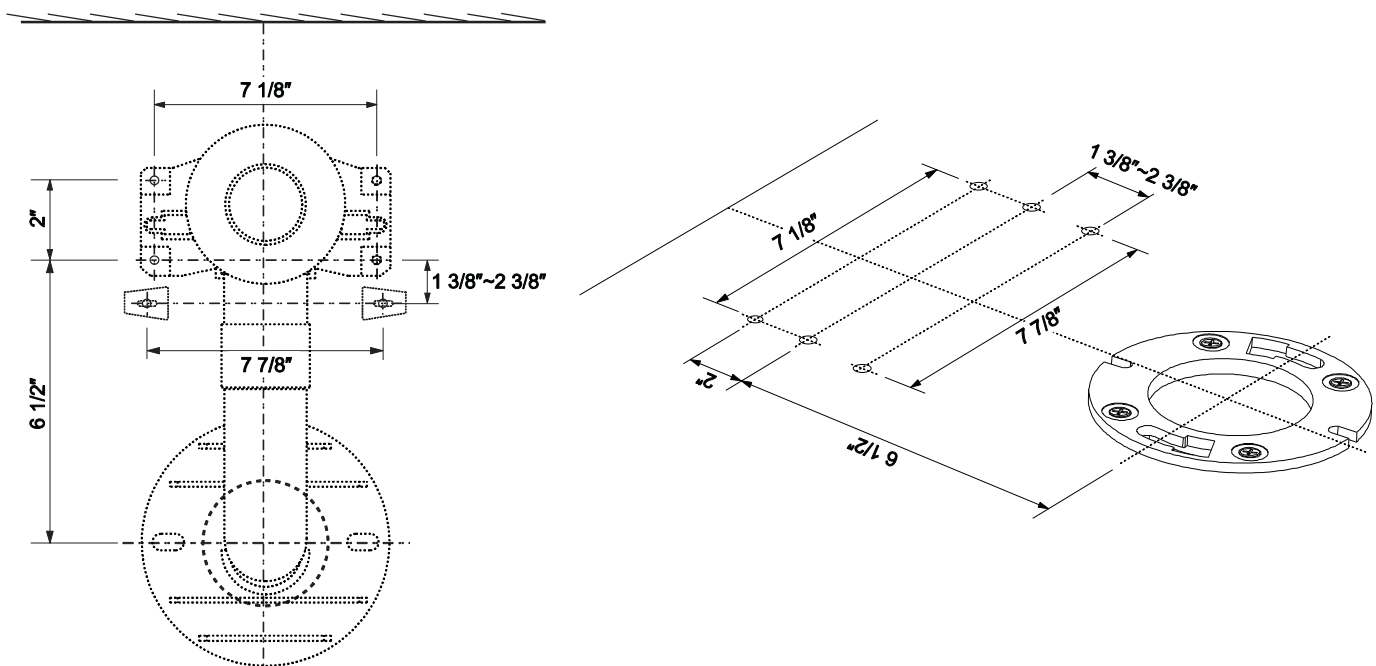
2. Please keep the installation instruction carefully (including installation procedure, fitting form, trouble shooting and notice.)

TOOLS FOR ASSEMBLY



1. Mark installing holes

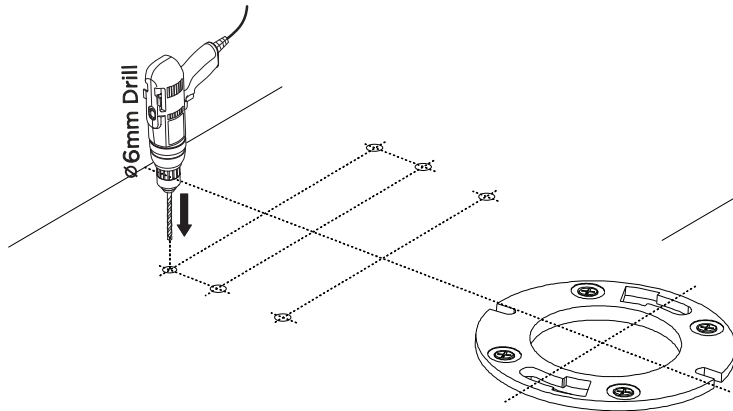
Mark the installing position for mounting screws and connecting pipe as illustrated (drawing for distance of installing holes).



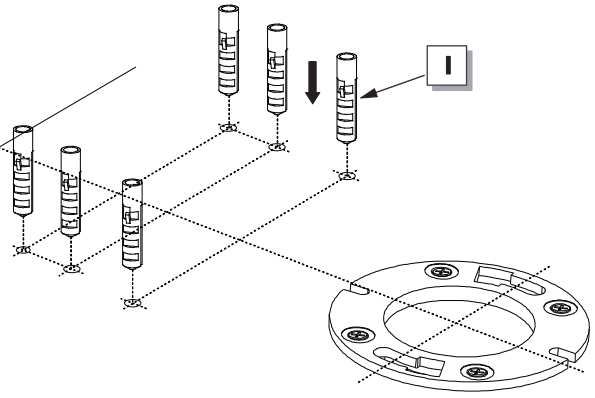
Drawing for distance of installing holes

2. Install the connect pipe

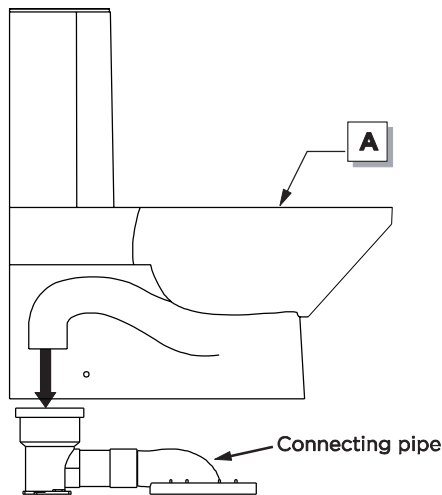
a Drill installing holes.



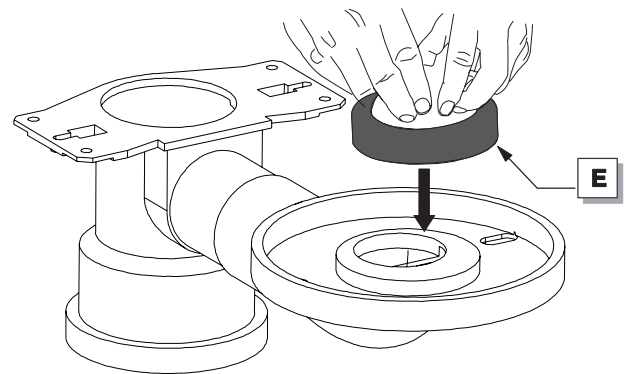
b Insert the expansible plastic plugs (I).



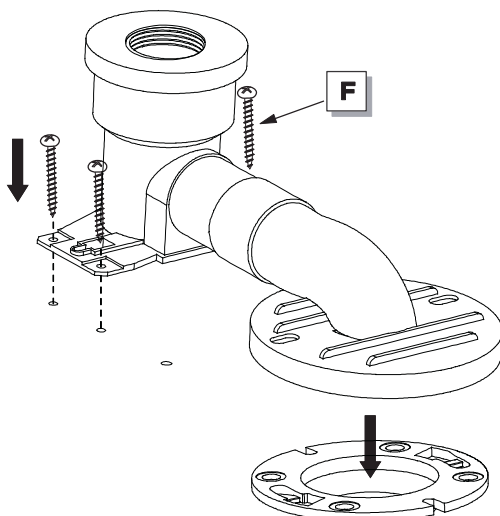
c Take off the connecting pipe from the bottom of toilet body (A).



c Make the bottom of connecting pipe up towards, then cover the flange (E) onto water outlet tightly. Make sure the pipe is not plugged.



d Adjust the screws (F) to get the four holes on the back side of connecting pipe aligned with expansible plastic plugs on the flange. Fix the connecting pipe as illustrated.



e Fix the plastic bracket (H) by screws (F).

