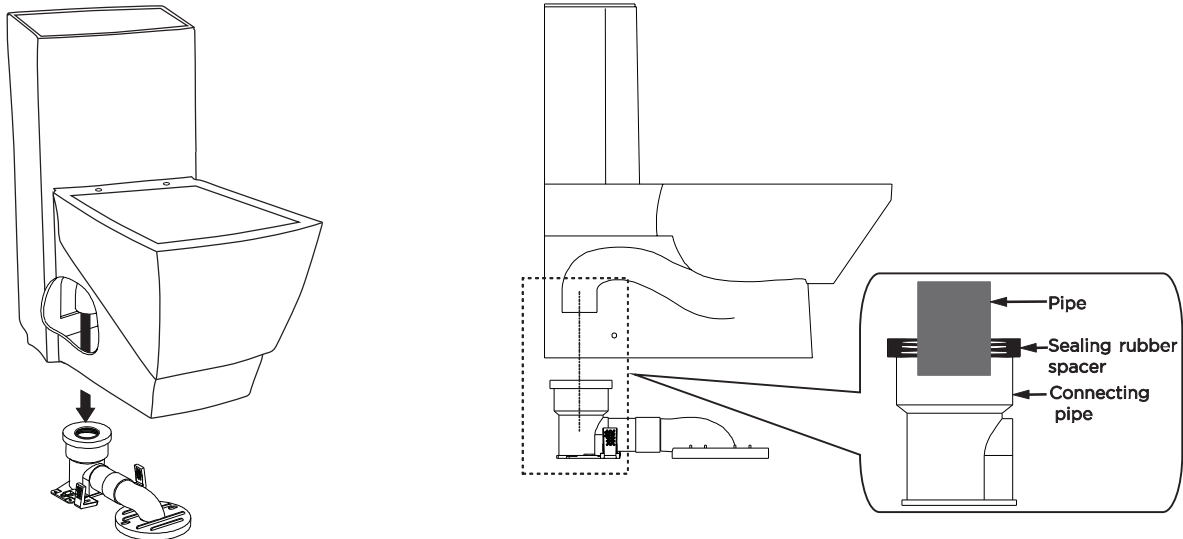


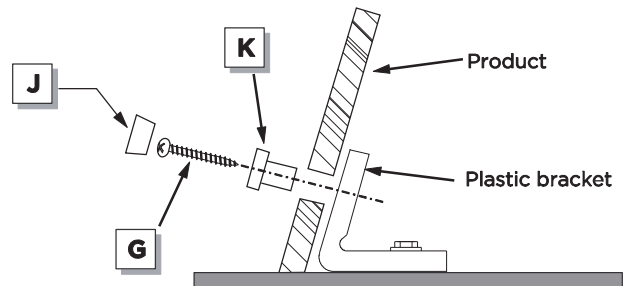
3. Install toilet body

- a** Put up the water closet and make sure the two pieces of mounting screws are all through the installing holes of water closet. Get the centre line of water closet aligned with the centre line on the floor and then put down the water closet gently.

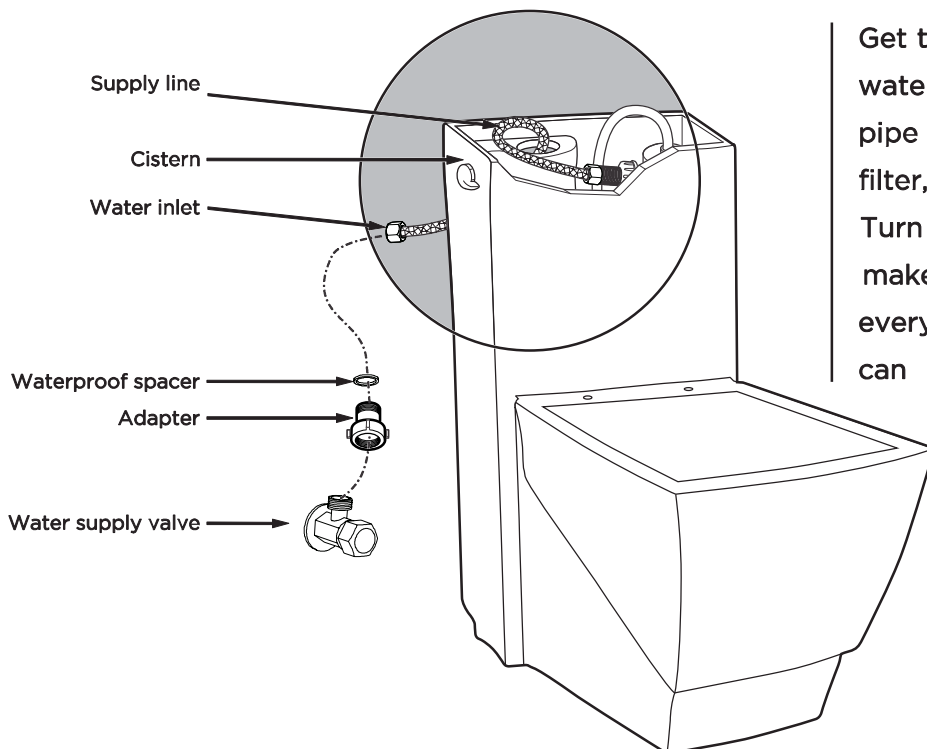
Note: Make sure the pipe is through the 4 layers of sealing rubber spacer of connecting pipe after installing the product. Otherwise it will have bad effect for flushing function.



- b** Fix the product on the floor with screws (G) and plastic covers (K), then cover the decoration caps (J).



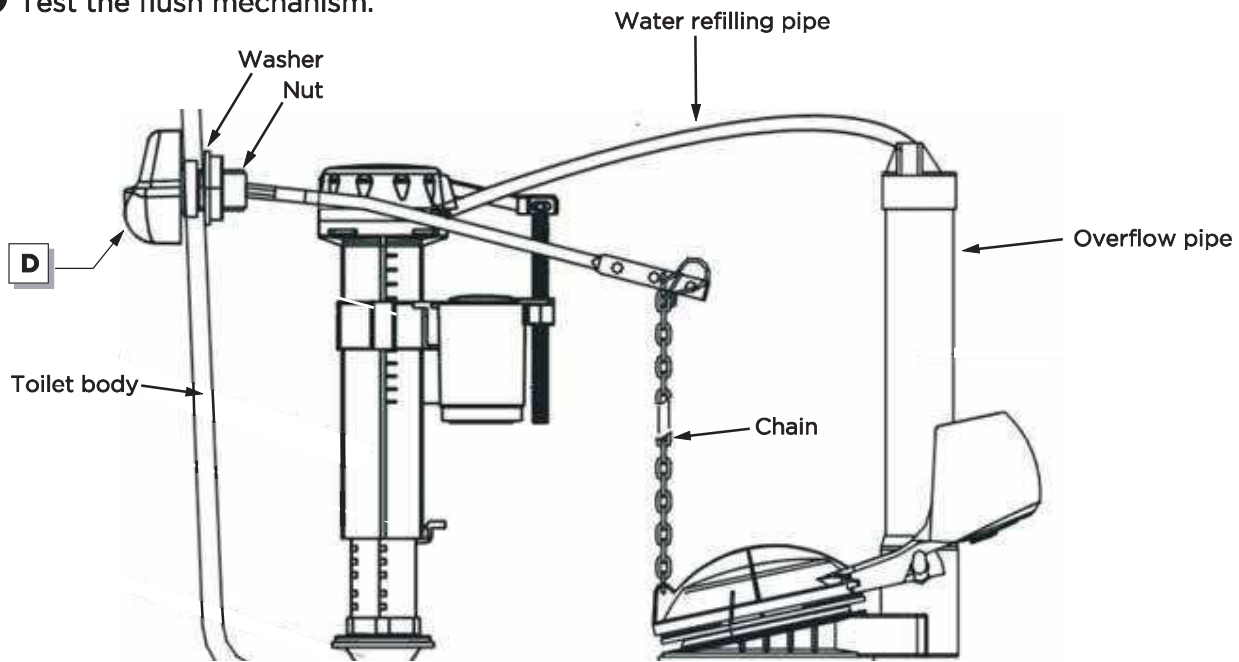
4. Connect water supply pipe and check sealing performance



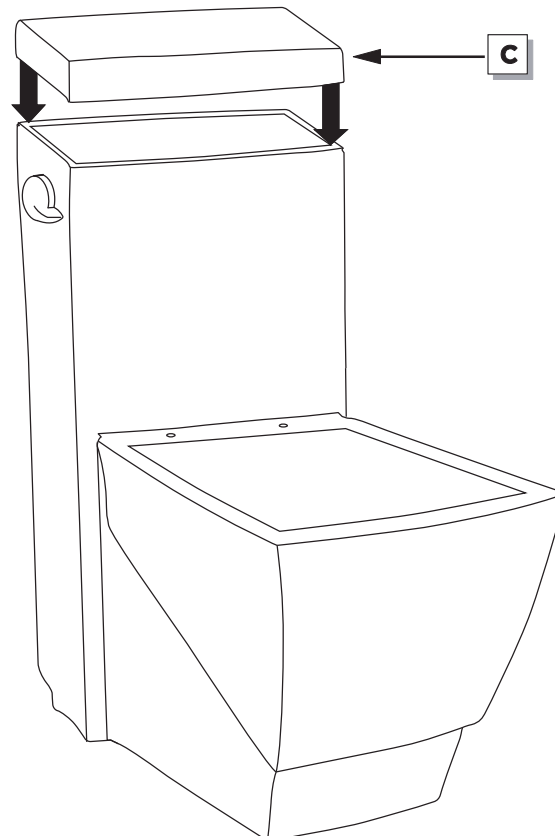
Get the water supply valve and the water inlet with soft connecting pipe (If the fitting is separated filter, please connect filter first). Turn on the water supply valve and make sure there is no leakage for every joint. Fasten the nuts a little can prevent leakage.

5. Install the flush handle and test the flush mechanism

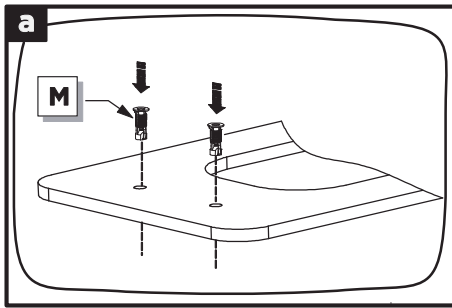
- a Take off the nut and washer from flush handle(D).
- b Pass the flush handle through hole at the side, then screw the washer and nut. (Do not fully tighten)
- c Connect the chain to the tip of flush handle.
- d Adjust the chain to proper position and then fully tighten.
- e Test the flush mechanism.



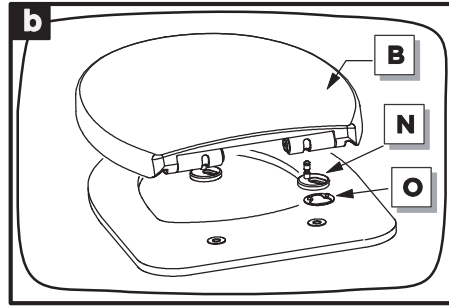
6. Put on the tank cover(C) gently



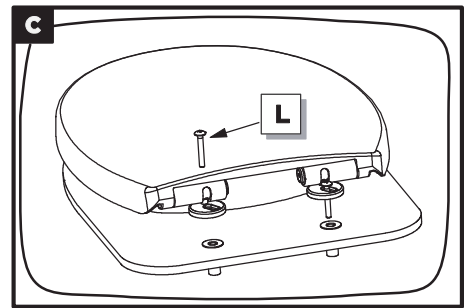
7. Mount toilet seat



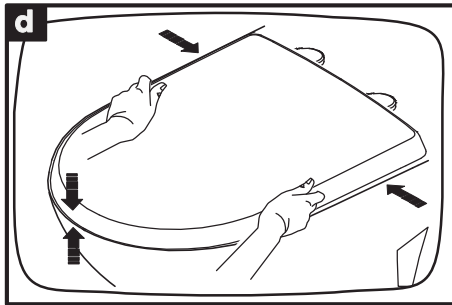
Insert the expansion rubbers (M) into the hinge holes of the water closet pan.



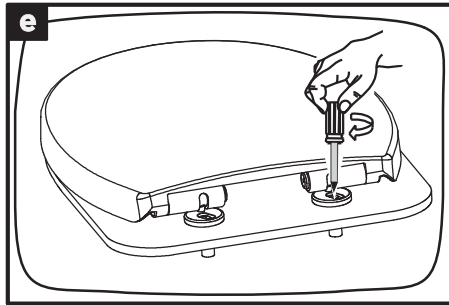
Mount the gaskets (O), hinges (N) onto the shaft of the toilet seat (B).



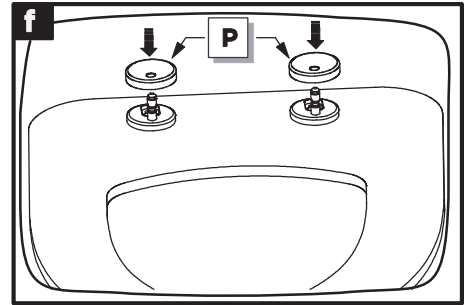
Plug the bolts (L) through hinges.



Align the toilet seats with the water closet pan.



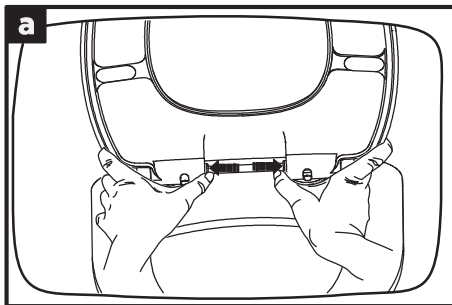
Screw the bolts.



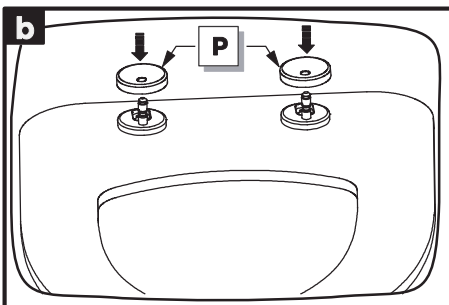
Put the cover (P) of the hinge onto the cover (M) into the.

Replace a new toilet seat please refer to below illustrated.

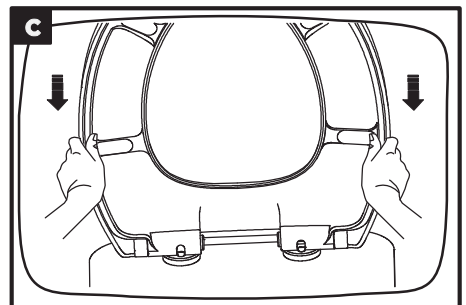
M) into the



Push the right and left buttons.



Put on the cover (P) of the hinge.



Mount the toilet seats.

8. Install toilet

Install the water closet seat according to the installation instruction, then daub a layer of silicone between the product and floor.

Note: Do not use the product immediately after finishing installing. Make sure there is no water around the product about 24 hours.

