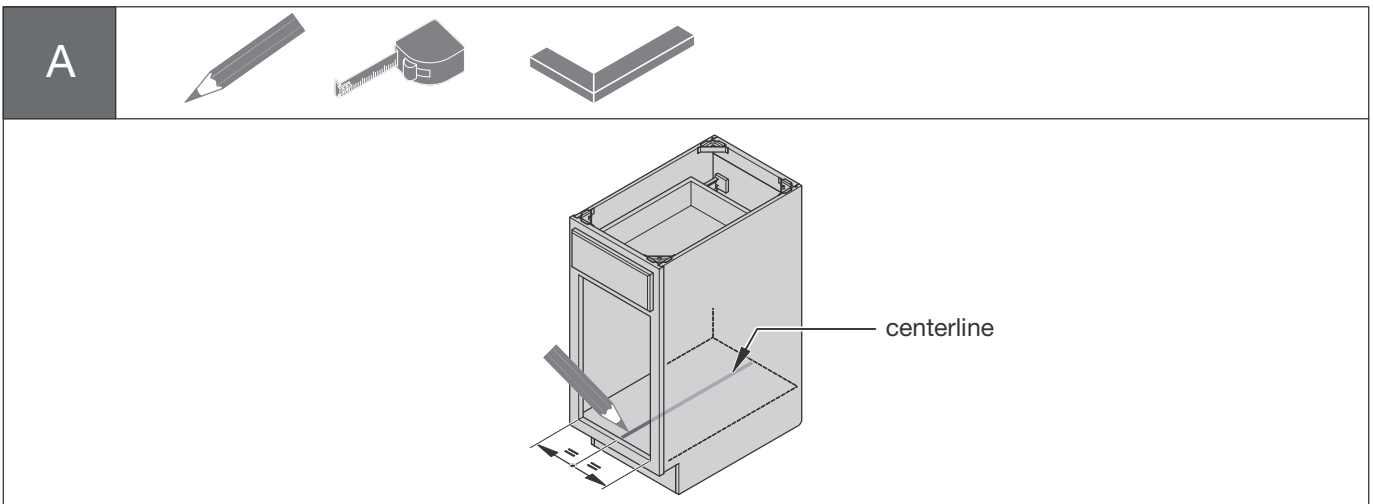
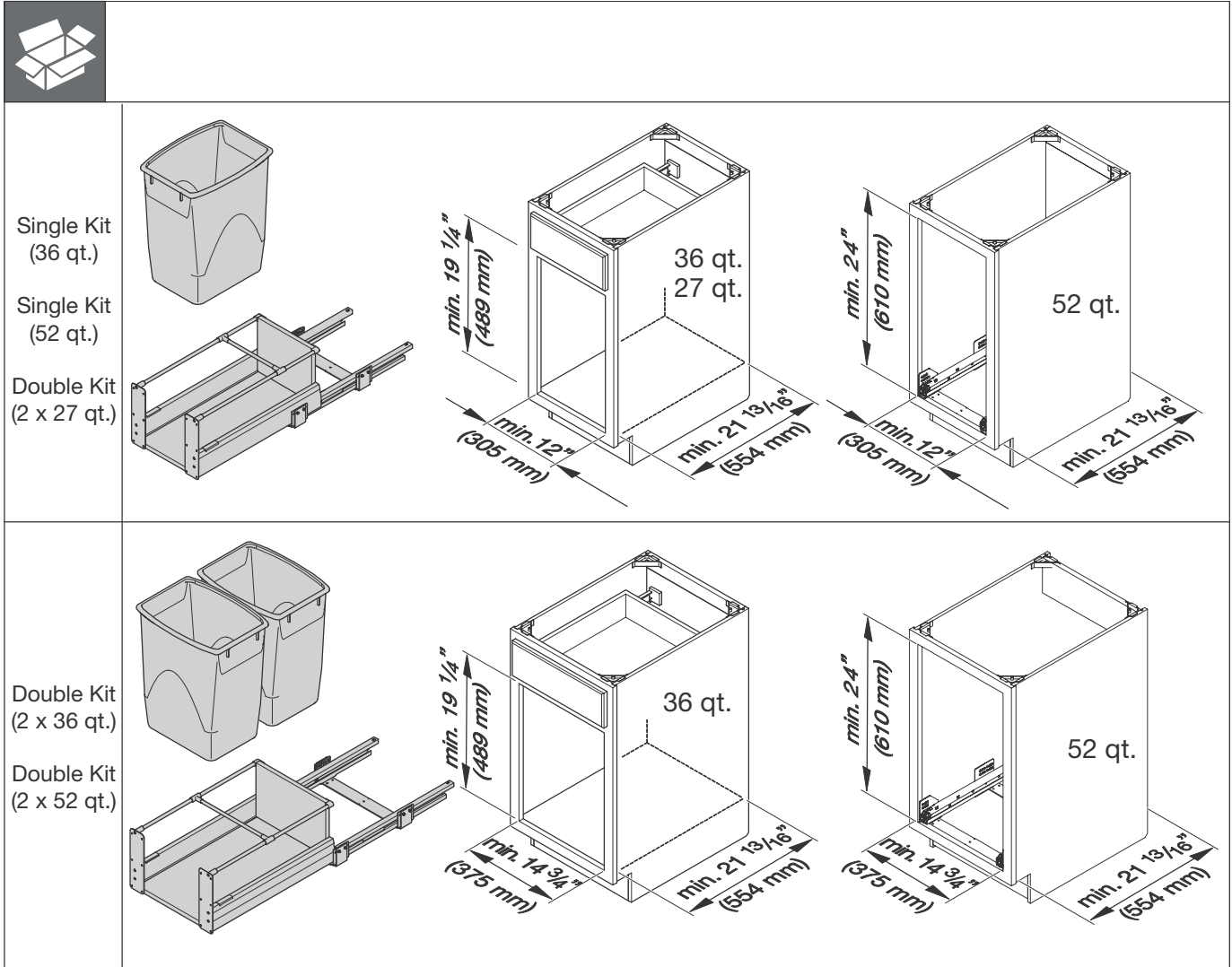


Mounting Instructions



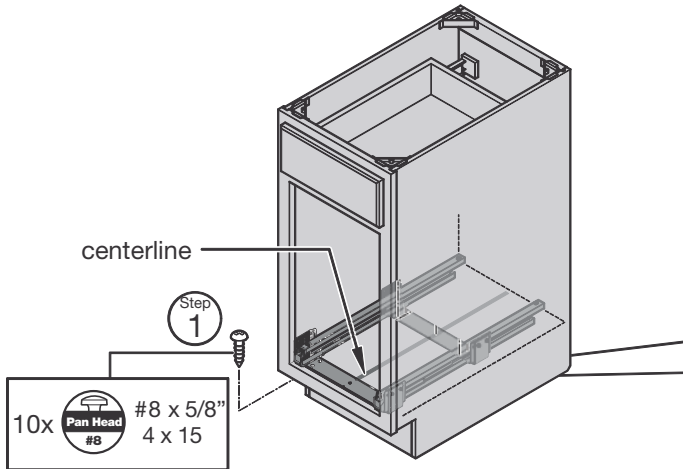
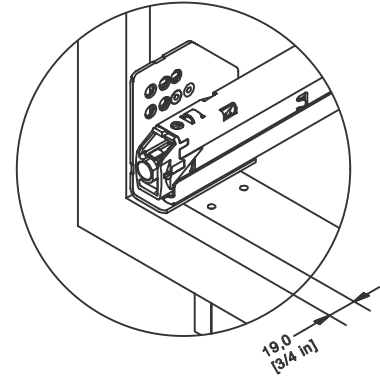
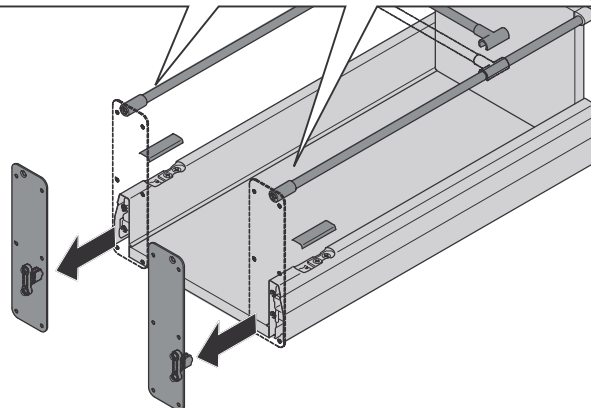
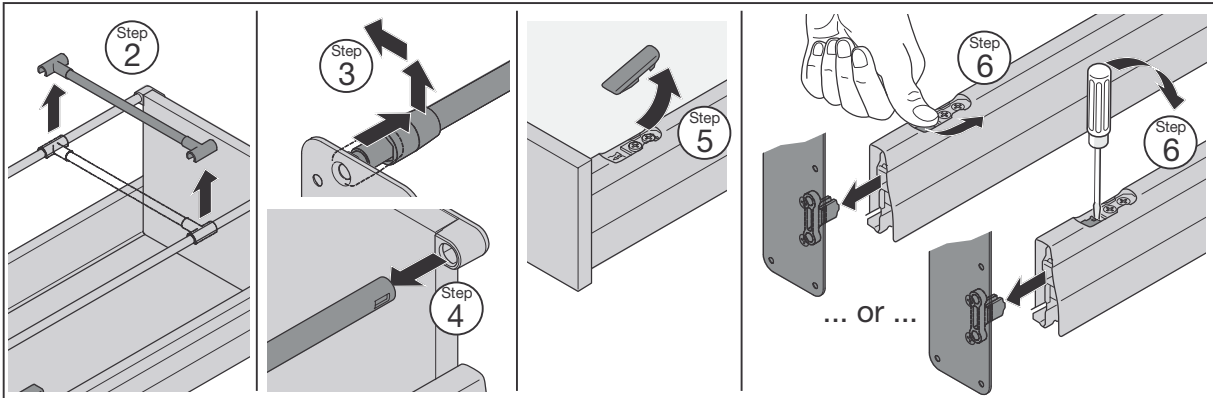
Item No.: 503.15.221, 222, 223, 224, 231, 721, 722, 723, 724, 731, 821, 822, 823, 824, 831

MX WASTE BIN



B

10x

**Backset:**Overlay door: Backset = $\frac{3}{4}$ "Inlay door: Backset = $\frac{3}{4}$ " + thickness of door
(check inside depth of cabinet)**C**

D

Overlay
Doors

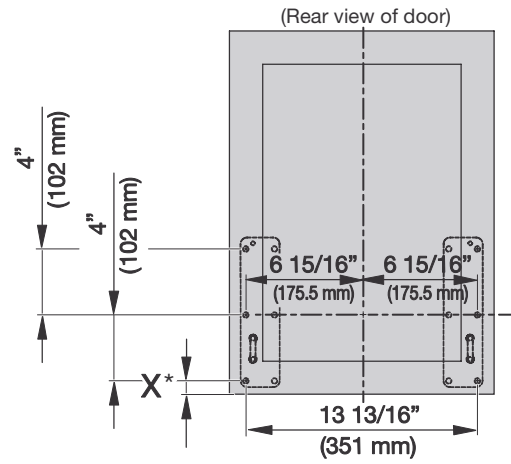
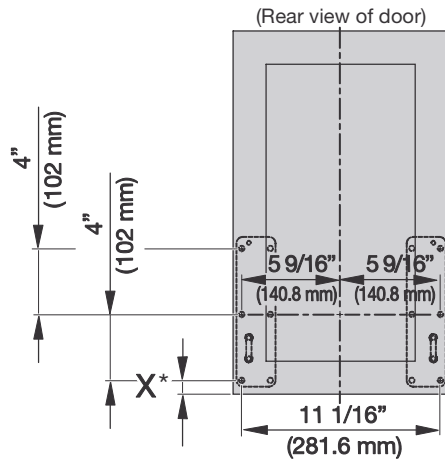


8x

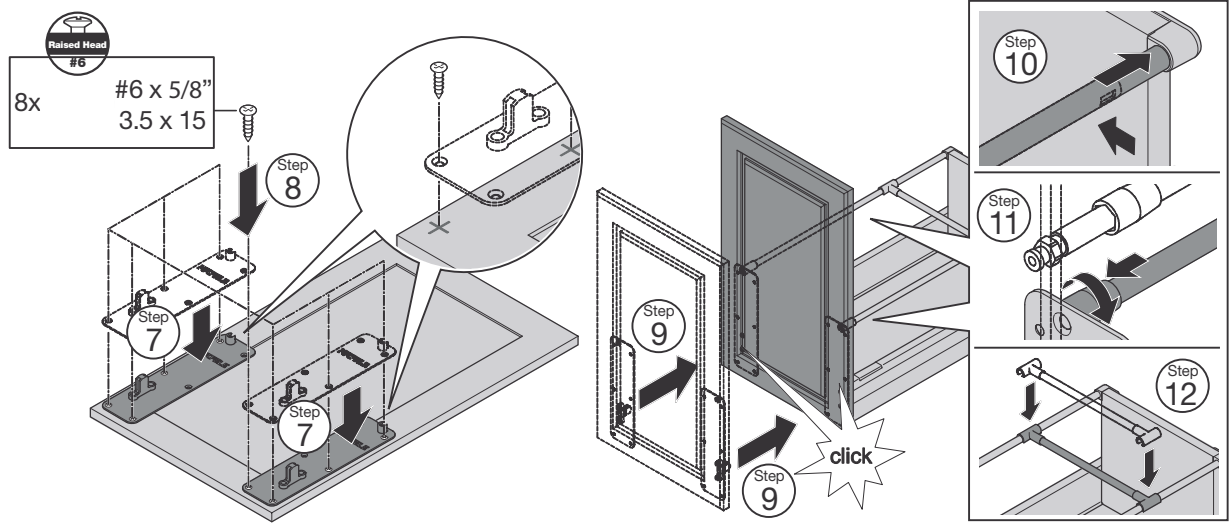
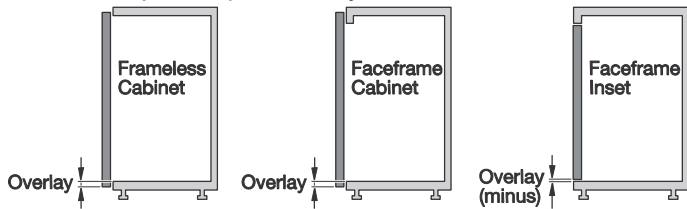


Single (36 qt.)
Single (52 qt.)
Double (2 x 27 qt.)
Standard Overlay or Inset Doors

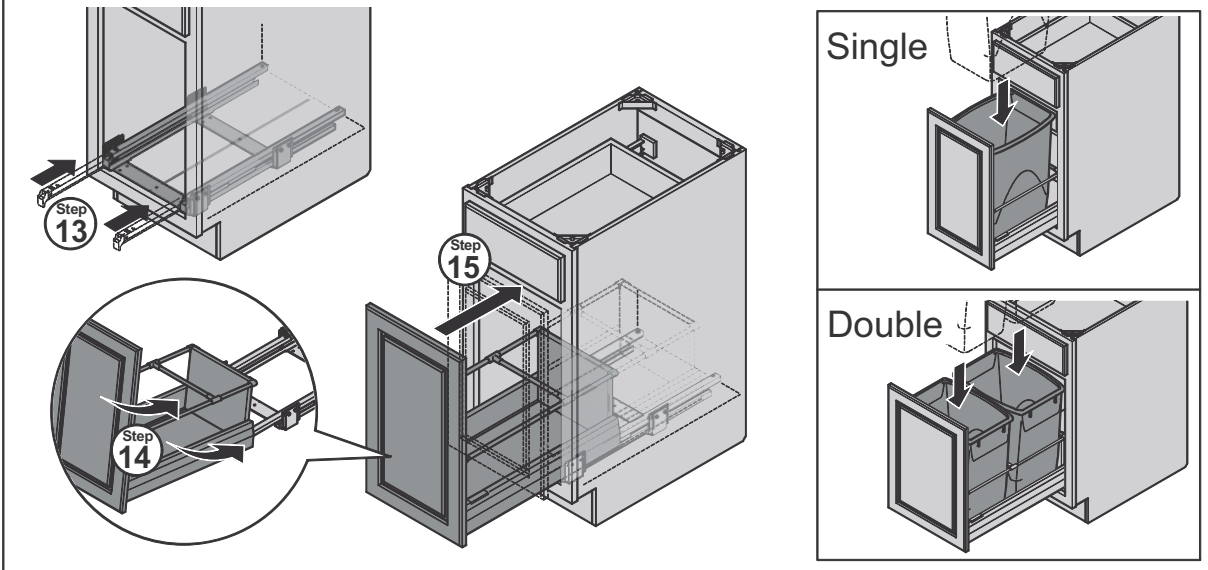
Double (2 x 36 qt.)
Double (2 x 52 qt.)
Standard Overlay or Inset Doors



* $X = 7/16"$ (11 mm) + Overlay

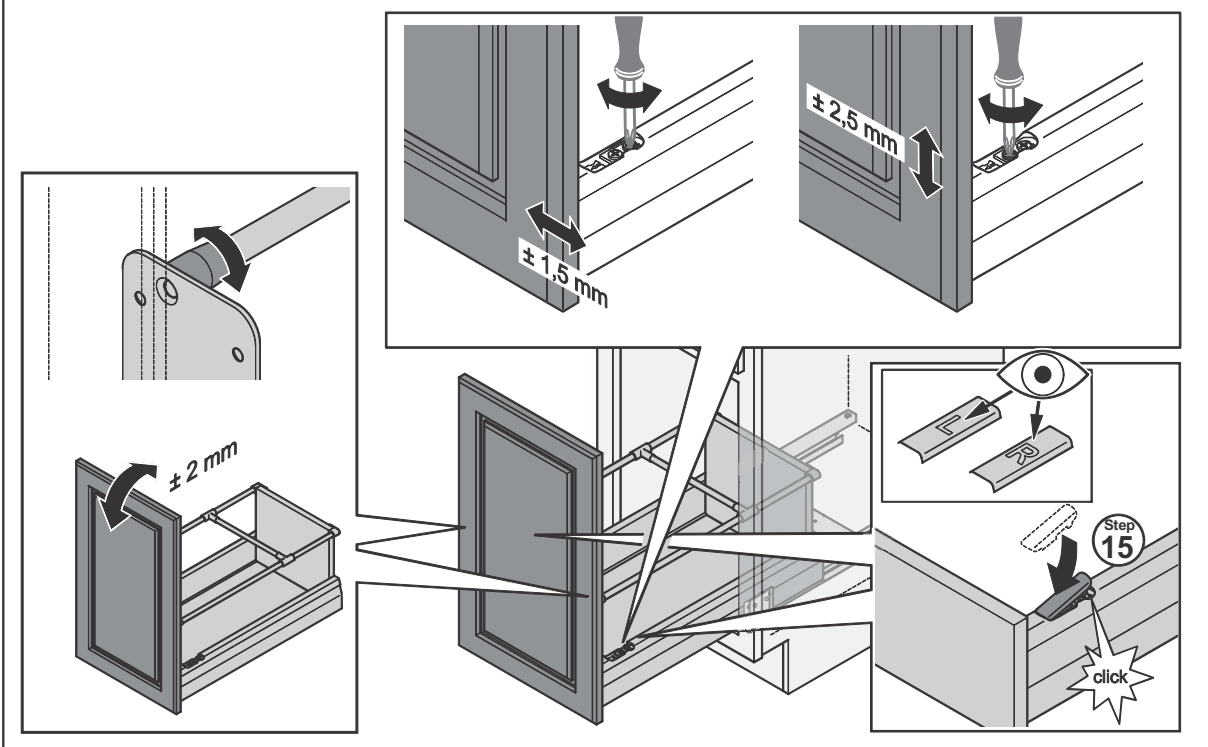


E



Adjustment of door

F



732.25.400

HÄFELE