

Always read the instructions completely and carefully before beginning assembly.
Remove and check contents for damage and / or missing parts.

Waste Bin Pull-out

503.08.111 22"D x 11 7/8"W x 3 1/2"H
Includes one Rubbermaid 35 quart bin

503.08.122 22"D x 14 7/8"W x 3 1/2"H
Includes two Rubbermaid 35 quart bin

503.08.124 22"D x 17 7/8"W x 3 1/2"H
Includes two Rubbermaid 35 quart bin

Contents of Box:

- 1 - Waste Bin Pull-out
- 1 - Plastic 35 quart bin for model: 503.08.131
- 2 - Plastic 35 quart bin for model: 503.08.142
503.08.144
- 2 - Drawer Guides with Mounting Clips
- 8 - Screws

You will need:

- Safety Glasses
- Tape Measure
- Screw Driver

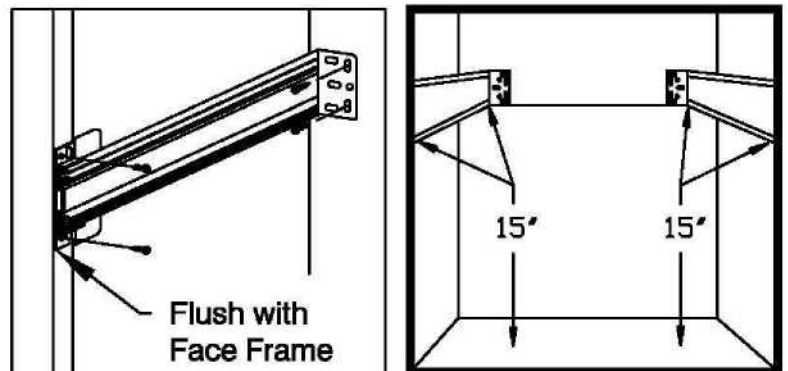
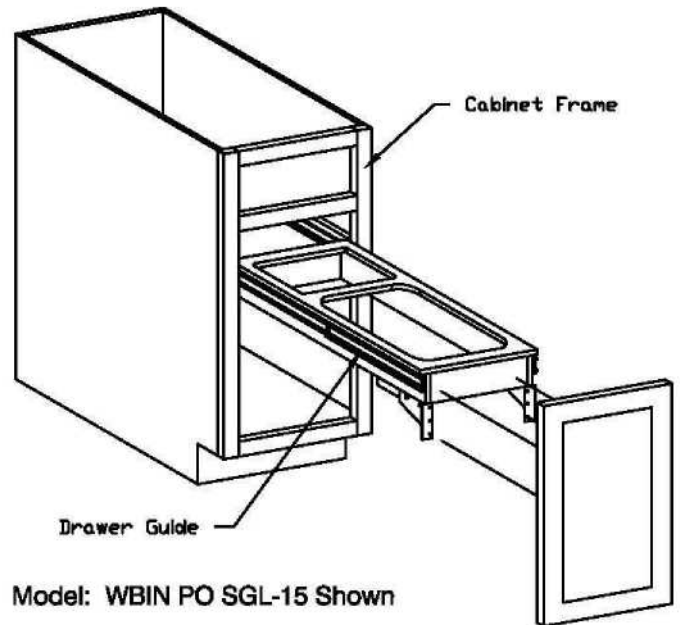


Fig. 1

Installation Instructions

- Step 1 Remove door from cabinet. (**IMPORTANT! This unit is designed for use with a 24" deep base cabinet.**)
- Step 2 Remove the outer portion of the Drawer Guides on both sides the Waste Bin Pull-out by depressing the black release clip and pulling away from the Waste Bin Pull-out. Then align the front of the slide to the inside edge of the cabinet frame, making sure that the bottom of the slide is 15 inches from the floor of the cabinet. (**See figure 1.**) Make sure the front of the slide is square to the cabinet frame, then attach with two screws. Then install the rear of the slide to the back of the cabinet with the rear mounting bracket and attach with two screws. (**IMPORTANT! Make sure the rear of the slide is level with the front of the slide.**) Repeat this step for the opposite side.
(**IMPORTANT! Do not allow the Drawer Guide to protrude passed the face of the cabinet frame otherwise the cabinet door will not close properly.**)
- Step 3 Re-install Waste Bin Pull-out into the Drawer Guides.
- Step 4 Attach the door to the pull-out unit making sure that it is centered to the cabinet, adjust as needed. (**IMPORTANT! Use caution on your fastener length so it does not protrude through the face of the door.**)