



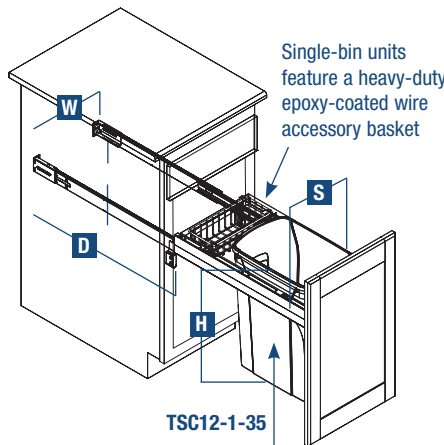
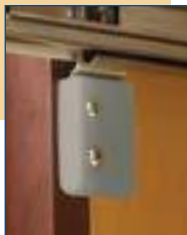
TSC12-1-35WH  
(with optional QT35LB-W lid)



TSC15-2-35PT

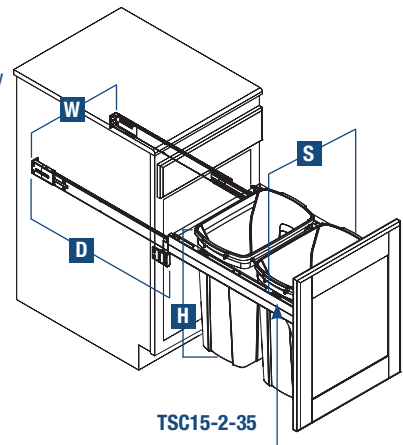
## Soft-Close, Top-Mount Waste & Recycling Bins (door-mounted)

- KV heavy-duty, full-extension ball bearing slides with soft-close technology and 1" over-travel
- Door-mount brackets include six-way adjustability for precise door alignment and easy installation
- Unique KV Face Frame Adapter Mounting Hardware accommodates 1-3/4" face frame cabinets by allowing for installation in openings 1/2" smaller than standard sizes (excluding TSC15-2-35PT and TSC15-2-35WH).



TSC12-1-35

Bins and optional Lids (order Lids on page 14) fit securely into multi-ply birch veneered plywood with soft radius edges.



TSC15-2-35

Color coordinated steel decorative slide hardware covers provide strength and stability while concealing slide hardware, creating a streamlined, easy-to-clean design.

Stock #	Sliding Assembly		Assembled Product Dimensions			Finish	Capacity per Bin	# Bins	Units per Carton	Weight per Carton				
	S	Width	W	Width	H						Height*	D	Depth	
<b>SINGLE BIN UNITS</b>														
TSC12-1-35WH	11-5/16"	[287 mm]	11-1/2"	[292 mm]	17-1/2"	[445 mm]	23-3/16"	[589 mm]	White	35 Qt.	1	1	13.9 lbs.	[6.3 kg.]
TSC12-1-35PT	11-5/16"	[287 mm]	11-1/2"	[292 mm]	17-1/2"	[445 mm]	23-3/16"	[589 mm]	Platinum	35 Qt.	1	1	13.9 lbs.	[6.3 kg.]
TSC15-1-35WH	14-5/16"	[364 mm]	14-1/2"	[368 mm]	17-1/2"	[445 mm]	23-3/16"	[589 mm]	White	35 Qt.	1	1	14.7 lbs.	[6.7 kg.]
TSC15-1-35PT	14-5/16"	[364 mm]	14-1/2"	[368 mm]	17-1/2"	[445 mm]	23-3/16"	[589 mm]	Platinum	35 Qt.	1	1	14.7 lbs.	[6.7 kg.]
TSC15-1-50WH	14-5/16"	[364 mm]	14-1/2"	[368 mm]	21-5/8"	[549 mm]	23-3/16"	[589 mm]	White	50 Qt.	1	1	15.7 lbs.	[7.1 kg.]
TSC15-1-50PT	14-5/16"	[364 mm]	14-1/2"	[368 mm]	21-5/8"	[549 mm]	23-3/16"	[589 mm]	Platinum	50 Qt.	1	1	15.7 lbs.	[7.1 kg.]
<b>DOUBLE BIN UNITS</b>														
TSC15-2-35WH	14-13/16"	[376 mm]	15"	[381 mm]	17-1/2"	[445 mm]	23-3/16"	[589 mm]	White	35 Qt.	2	1	14.9 lbs.	[6.8 kg.]
TSC15-2-35PT	14-13/16"	[376 mm]	15"	[381 mm]	17-1/2"	[445 mm]	23-3/16"	[589 mm]	Platinum	35 Qt.	2	1	14.9 lbs.	[6.8 kg.]
TSC18-2-35WH	17-5/16"	[440 mm]	17-1/2"	[445 mm]	17-1/2"	[445 mm]	23-3/16"	[589 mm]	White	35 Qt.	2	1	15.6 lbs.	[7.1 kg.]
TSC18-2-35PT	17-5/16"	[440 mm]	17-1/2"	[445 mm]	17-1/2"	[445 mm]	23-3/16"	[589 mm]	Platinum	35 Qt.	2	1	15.6 lbs.	[7.1 kg.]

\* If using lid, add 3/4".

30 lbs. maximum per bin, not to exceed 80 lbs. total weight. Not intended for bulk storage.

See pages 16-17 for recommended cabinet dimensions and clearances. See page 14 for bin and lid information.



QT20PB-WH (20 Qt.)  
(shown with QT20LB-W)



QT20PB-PT (20 Qt.)



QT27PB-PT (27 Qt.)



QT27PB-W (27 Qt.)



QT35PB-WH (35 Qt.)



QT35PB-PT (35 Qt.)  
(shown with QT35LB-PT lid)



QT32PB-W (32 Qt.)



QT50PB-W (50 Qt.)



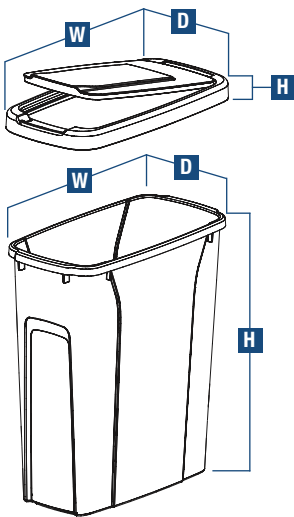
QT20LB-W



QT35LB-PT

## Replacement Bins & Lids

### Replacement Bin Chart



Replaces Bin from		Replaces Bin from		Replaces Bin from	
Product Number	Stock #	Product Number	Stock #	Product Number	Stock #
BSC10-1-35WH	QT35PB-WH	PDMTM145-1-50WH	QT50PB-W	TSC15-1-35WH	QT35PB-WH
BSC10-1-35PT	QT35PB-PT	PDMTM15-2-35WH	QT35PB-WH	TSC15-1-35PT	QT35PB-PT
BSC12-1-50WH	QT50PB-W	PDMTM175-2-35WH	QT35PB-WH	TSC15-1-50PT	QT50PB-P
BSC12-1-50PT	QT50PB-P	PDMTM18-2-35WH	QT35PB-WH	TSC15-1-50WH	QT50PB-W
BSC12-2-27WH	QT27PB-W	PDMTM21-2-35WH	QT35PB-WH	TSC15-2-35PT	QT35PB-PT
BSC12-2-27PT	QT27PB-PT	PRC12-2-27-W	QT27PB-W	TSC15-2-35WH	QT35PB-WH
BSC15-1-20WH	QT20PB-WH	PRC24-4-27-W	QT27PB-W	TSC18-2-35PT	QT35PB-PT
BSC15-1-20PT	QT20PB-PT	PSW10-1-35WH	QT35PB-WH	TSC18-2-35WH	QT35PB-WH
BSC15-2-20WH	QT20PB-WH	PSW12-1-50-W	QT50PB-W	USC12-1-35PT	QT35PB-PT
BSC15-2-20PT	QT20PB-PT	PSW15-1-20WH	QT20PB-WH	USC12-1-35WH	QT35PB-WH
BSC15-2-35WH	QT35PB-WH	PSW15-1-35WH	QT35PB-WH	USC12-1-50PT	QT50PB-P
BSC15-2-35PT	QT35PB-PT	PSW15-2-20WH	QT20PB-WH	USC12-1-50WH	QT50PB-W
BSC15-3-20WH	QT20PB-WH	PSW15-2-35WH	QT35PB-WH	USC12-2-27WH	QT27PB-W
BSC15-3-20PT	QT20PB-PT	PSW15-3-20WH	QT20PB-WH	USC12-2-27PT	QT27PB-PT
BSC24-4-27WH	QT27PB-W	PSW9-1-20WH	QT20PB-WH	USC15-2-35WH	QT35PB-WH
BSC9-1-20PT	QT20PB-PT	RRC28K-W	QT32PB-W	USC15-2-35PT	QT35PB-PT
BSC9-1-20WH	QT20PB-WH	RRC28PT-W	QT32PB-W	USC18-2-50WH	QT50PB-WH
PDMTM115-1-35WH	QT35PB-WH	TSC12-1-35WH	QT35PB-WH	USC18-2-50PT	QT50PB-PT
PDMTM12-1-35WH	QT35PB-WH	TSC12-1-35PT	QT35PB-PT	PDMSH15-1-60-W	QT60PB-W
				PSH15-1-60-W	QT60PB-W

Stock #	Dimensions			Finish	Description	Units per Carton	Weight per Carton
	W Width	H Height**	D Depth				
<b>BINS</b>							
QT20PB-WH	14-1/4" [362 mm]	16" [406 mm]	7-1/4" [184 mm]	White	20 Qt.	6	12 lbs. [5.4 kg.]
QT20PB-PT	14-1/4" [362 mm]	16" [406 mm]	7-1/4" [184 mm]	Platinum	20 Qt.	6	12 lbs. [5.4 kg.]
QT27PB-W	10-5/8" [270 mm]	17-3/4" [451 mm]	10-5/8" [270 mm]	White	27 Qt.	10	17.4 lbs. [7.9 kg.]
QT27PB-PT	<b>NEW!</b> 10-5/8" [270 mm]	17-3/4" [451 mm]	10-5/8" [270 mm]	Platinum	27 Qt.	10	17.4 lbs. [7.9 kg.]
QT32PB-W	14" [356 mm]	20" [508 mm]	11-3/4" [298 mm]	White	32 Qt.	1	4 lbs. [1.8 kg.]
QT35PB-WH	14-1/4" [362 mm]	17-1/2" [445 mm]	9-3/16" [233 mm]	White	35 Qt.	6	14 lbs. [6.4 kg.]
QT35PB-PT	14-1/4" [362 mm]	17-1/2" [445 mm]	9-3/16" [233 mm]	Platinum	35 Qt.	6	14 lbs. [6.4 kg.]
QT50PB-W	15-3/8" [391 mm]	21-5/8" [549 mm]	11-1/8" [283 mm]	White	50 Qt.	8	20 lbs. [9.1 kg.]
QT50PB-P	15-3/8" [391 mm]	21-5/8" [549 mm]	11-1/8" [283 mm]	Platinum	50 Qt.	8	20 lbs. [9.1 kg.]
QT60PB-W*	19-1/8" [486 mm]	19-5/8" [498 mm]	13-7/8" [352 mm]	White	60 Qt.	6	19.9 lbs. [9.0 kg.]
<b>LIDS</b>							
QT20LB-WH	14-1/2" [368 mm]	**	7-7/16" [189 mm]	White	Fits 20 Qt.	1	2 lbs. [0.9 kg.]
QT20LB-PT	14-1/2" [368 mm]	**	7-7/16" [189 mm]	Platinum	Fits 20 Qt.	1	2 lbs. [0.9 kg.]
QT35LB-WH	14-1/2" [368 mm]	**	9-9/16" [243 mm]	White	Fits 35 Qt.	1	2 lbs. [0.9 kg.]
QT35LB-PT	14-1/2" [368 mm]	**	9-9/16" [243 mm]	Platinum	Fits 35 Qt.	1	2 lbs. [0.9 kg.]

\* Replacement bin for Roll-Out Plastic Hampers (PSH15-1-60-W and PDMSH15-1-60-W). See page 60 for product information.

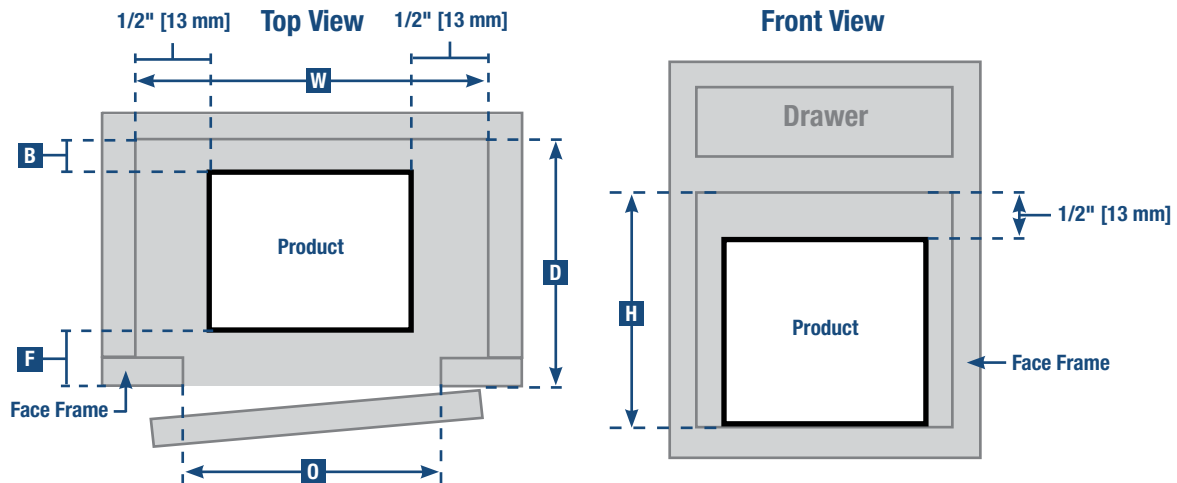
\*\* Lid adds 3/4" [19 mm] to bin height.

# Cabinet Dimensions

Stock #	Min. Cabinet Opening		Minimum Interior Cabinet Dimensions			Minimum Cabinet Clearances						
	O	Width	W	Width	H	Height*	D	Depth	F	Front	B	Back
<b>SINGLE BIN UNITS</b>												
<b>Non-Door-Mount</b>												
BSC9-1-20PT	9"	[229 mm]	9"	[229 mm]	17-13/16"	[452 mm]	20-1/2"	[521 mm]	1/4"	[6 mm]	1/8"	[3 mm]
BSC9-1-20WH	9"	[229 mm]	9"	[229 mm]	17-13/16"	[452 mm]	20-1/2"	[521 mm]	1/4"	[6 mm]	1/8"	[3 mm]
BSC10-1-35PT	10"	[254 mm]	10"	[254 mm]	19-5/16"	[491 mm]	20-1/2"	[521 mm]	1/4"	[6 mm]	1/8"	[3 mm]
BSC10-1-35WH	10"	[254 mm]	10"	[254 mm]	19-5/16"	[491 mm]	20-1/2"	[521 mm]	1/4"	[6 mm]	1/8"	[3 mm]
BSC12-1-50PT	12"	[305 mm]	12"	[305 mm]	23-3/8"	[594 mm]	20-1/2"	[521 mm]	1/4"	[6 mm]	1/8"	[3 mm]
BSC12-1-50WH	12"	[305 mm]	12"	[305 mm]	23-3/8"	[594 mm]	20-1/2"	[521 mm]	1/4"	[6 mm]	1/8"	[3 mm]
BSC15-1-20PT	15"	[381 mm]	15"	[381 mm]	17-13/16"	[452 mm]	20-1/2"	[521 mm]	1/4"	[6 mm]	1/8"	[3 mm]
BSC15-1-20WH	15"	[381 mm]	15"	[381 mm]	17-13/16"	[452 mm]	20-1/2"	[521 mm]	1/4"	[6 mm]	1/8"	[3 mm]
PSW9-1-20WH	9"	[229 mm]	9"	[229 mm]	17-13/16"	[452 mm]	20-3/8"	[518 mm]	1/4"	[6 mm]	1/8"	[3 mm]
PSW10-1-35WH	10"	[254 mm]	10"	[254 mm]	19-5/16"	[491 mm]	20-3/8"	[518 mm]	1/4"	[6 mm]	1/8"	[3 mm]
PSW12-1-50-W	12"	[305 mm]	12"	[305 mm]	23-3/8"	[594 mm]	20-3/8"	[518 mm]	1/4"	[6 mm]	1/8"	[3 mm]
PSW15-1-20WH	15"	[381 mm]	15"	[381 mm]	17-13/16"	[452 mm]	16-3/8"	[416 mm]	1/4"	[6 mm]	1/8"	[3 mm]
PSW15-1-35WH	15"	[381 mm]	15"	[381 mm]	19-5/16"	[491 mm]	16-3/8"	[416 mm]	1/4"	[6 mm]	1/8"	[3 mm]
<b>Door-Mount (Bottom-mount)</b>												
DWB975-W	12"	[305 mm]	12"	[305 mm]	12-1/8"	[308 mm]	7-1/2"	[191 mm]	-		1/8"	[3 mm]
WUSC12-1-35PT	11-1/2"	[292 mm]	11-1/2"	[292 mm]	19-1/2"	[241 mm]	23-1/2"	[597 mm]	-		1/8"	[3 mm]
WUSC12-1-35WH	11-1/2"	[292 mm]	11-1/2"	[292 mm]	19-1/2"	[241 mm]	23-1/2"	[597 mm]	-		1/8"	[3 mm]
WUSC12-1-50PT	11-1/2"	[292 mm]	11-1/2"	[292 mm]	23-1/2"	[597 mm]	23-1/2"	[597 mm]	-		1/8"	[3 mm]
WUSC12-1-50WH	11-1/2"	[292 mm]	11-1/2"	[292 mm]	23-1/2"	[597 mm]	23-1/2"	[597 mm]	-		1/8"	[3 mm]
USC12-1-35WH	12"	[305 mm]	12"	[305 mm]	19-3/16"	[487 mm]	22-5/8"	[575 mm]	-		1/8"	[3 mm]
USC12-1-35PT	12"	[305 mm]	12"	[305 mm]	19-3/16"	[487 mm]	22-5/8"	[575 mm]	-		1/8"	[3 mm]
USC12-1-50WH	12"	[305 mm]	12"	[305 mm]	23-5/16"	[592 mm]	22-5/8"	[575 mm]	-		1/8"	[3 mm]
USC12-1-50PT	12"	[305 mm]	12"	[305 mm]	23-5/16"	[592 mm]	22-5/8"	[575 mm]	-		1/8"	[3 mm]
<b>Door-Mount (Top-mount)</b>												
PDMTM115-1-35WH	11-1/2"	[292 mm]	11-1/2"	[292 mm]	18"	[457 mm]	22-1/2"	[572 mm]	-		1/8"	[3 mm]
PDMTM12-1-35WH	12"	[305 mm]	12"	[305 mm]	18"	[457 mm]	22-1/2"	[572 mm]	-		1/8"	[3 mm]
PDMTM145-1-50WH	14-1/2"	[368 mm]	14-1/2"	[368 mm]	22-1/8"	[562 mm]	22-1/2"	[572 mm]	-		1/8"	[3 mm]
TSC12-1-35WH	11-1/2"	[292 mm]	11-1/2"	[292 mm]	18"	[457 mm]	23-3/8"	[594 mm]	-		1/8"	[3 mm]
TSC12-1-35PT	11-1/2"	[292 mm]	11-1/2"	[292 mm]	18"	[457 mm]	23-3/8"	[594 mm]	-		1/8"	[3 mm]
TSC15-1-35WH	14-1/2"	[368 mm]	14-1/2"	[368 mm]	18"	[457 mm]	23-3/8"	[594 mm]	-		1/8"	[3 mm]
TSC15-1-35PT	14-1/2"	[368 mm]	14-1/2"	[368 mm]	18"	[457 mm]	23-3/8"	[594 mm]	-		1/8"	[3 mm]
TSC15-1-50WH	14-1/2"	[368 mm]	14-1/2"	[368 mm]	22-1/8"	[562 mm]	23-3/8"	[594 mm]	-		1/8"	[3 mm]
TSC15-1-50PT	14-1/2"	[368 mm]	14-1/2"	[368 mm]	22-1/8"	[562 mm]	23-3/8"	[594 mm]	-		1/8"	[3 mm]

\* If using lid, add 3/4" [19 mm].

## Example of Face-Frame Cabinet Application



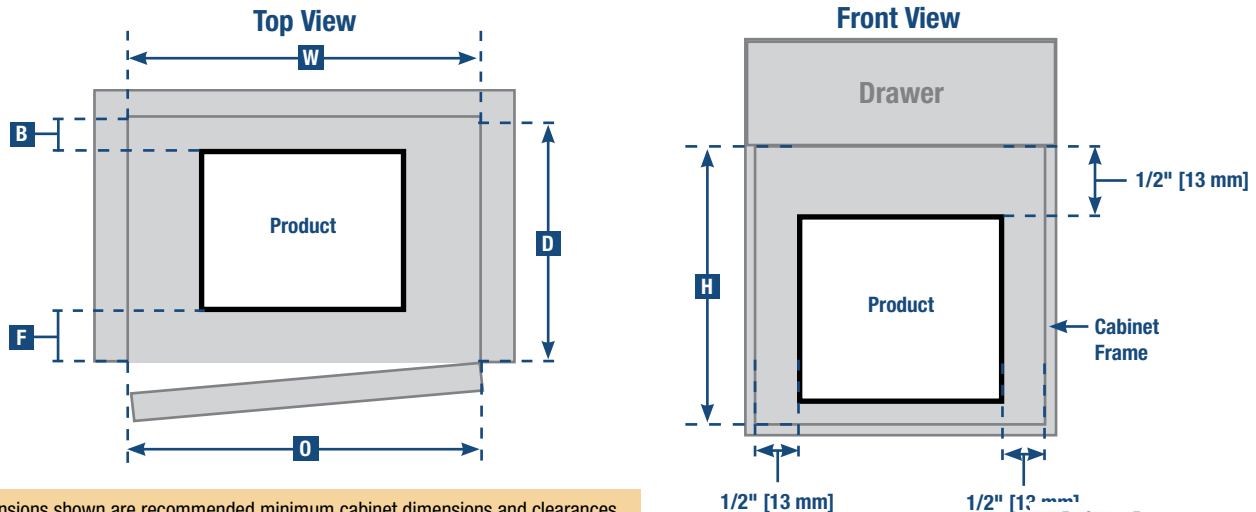
Dimensions shown are recommended minimum cabinet dimensions and clearances.

# Cabinet Dimensions

Stock #	Min. Cabinet Opening		Minimum Cabinet Dimensions			Minimum Cabinet Clearances						
	O	Width	W	Width	H	Height*	D	Depth	F	Front	B	Back
<b>DOUBLE BIN UNITS</b>												
<b>Non-Door-Mount</b>												
BSC12-2-27PT	12"	[305 mm]	12"	[305 mm]	19-1/2"	[495 mm]	22-9/16"	[573 mm]	-		1/8"	[3 mm]
BSC12-2-27WH	12"	[305 mm]	12"	[305 mm]	19-1/2"	[495 mm]	23-3/8"	[594 mm]	1/4"	[6 mm]	1/8"	[3 mm]
BSC15-2-20PT	15"	[381 mm]	15"	[381 mm]	20-3/8"	[518 mm]	20-3/8"	[518 mm]	1/4"	[6 mm]	1/8"	[3 mm]
BSC15-2-20WH	15"	[381 mm]	15"	[381 mm]	20-3/8"	[518 mm]	20-3/8"	[518 mm]	1/4"	[6 mm]	1/8"	[3 mm]
BSC15-2-35PT	15"	[381 mm]	15"	[381 mm]	19-5/16"	[491 mm]	23-3/8"	[594 mm]	1/4"	[6 mm]	1/8"	[3 mm]
BSC15-2-35WH	15"	[381 mm]	15"	[381 mm]	19-5/16"	[491 mm]	23-3/8"	[594 mm]	1/4"	[6 mm]	1/8"	[3 mm]
PRC12-2-27-W	12"	[305 mm]	12"	[305 mm]	19-1/4"	[489 mm]	23-3/8"	[594 mm]	1/4"	[6 mm]	1/8"	[3 mm]
PSW15-2-20WH	15"	[381 mm]	15"	[381 mm]	17-13/16"	[452 mm]	20-3/8"	[518 mm]	1/4"	[6 mm]	1/8"	[3 mm]
PSW15-2-35WH	15"	[381 mm]	15"	[381 mm]	19-5/16"	[491 mm]	22-3/8"	[568 mm]	1/4"	[6 mm]	1/8"	[3 mm]
<b>Door-Mount (Bottom-mount)</b>												
WUSC12-2-27PT	11-1/2"	[292 mm]	11-1/2"	[292 mm]	19-3/4"	[502 mm]	23-1/2"	[597 mm]	-		1/8"	[3 mm]
WUSC12-2-27WH	11-1/2"	[292 mm]	11-1/2"	[292 mm]	19-3/4"	[502 mm]	23-1/2"	[597 mm]	-		1/8"	[3 mm]
WUSC15-2-35PT	14-1/2"	[368 mm]	14-1/2"	[368 mm]	19-1/2"	[502 mm]	23-1/2"	[597 mm]	-		1/8"	[3 mm]
WUSC15-2-35WH	14-1/2"	[368 mm]	14-1/2"	[368 mm]	19-1/2"	[502 mm]	23-1/2"	[597 mm]	-		1/8"	[3 mm]
WUSC18-2-50PT	17"	[432 mm]	17"	[432 mm]	23-1/4"	[591 mm]	22-9/16"	[573 mm]	-		1/8"	[3 mm]
WUSC18-2-50WH	17"	[432 mm]	17"	[432 mm]	23-1/4"	[591 mm]	22-9/16"	[573 mm]	-		1/8"	[3 mm]
USC12-2-27PT	12"	[305 mm]	12"	[305 mm]	19"	[483 mm]	22-9/16"	[573 mm]	-		1/8"	[3 mm]
USC12-2-27WH	12"	[305 mm]	12"	[305 mm]	19-1/4"	[489 mm]	22-9/16"	[573 mm]	-		1/8"	[3 mm]
USC15-2-35WH	15"	[381 mm]	15"	[381 mm]	19-3/16"	[487 mm]	22-5/8"	[575 mm]	-		1/8"	[3 mm]
USC15-2-35PT	15"	[381 mm]	15"	[381 mm]	19-3/16"	[487 mm]	22-5/8"	[575 mm]	-		1/8"	[3 mm]
USC18-2-50WH	16"	[406 mm]	15-5/8"	[397 mm]	23-5/16"	[592 mm]	22-5/8"	[575 mm]	-		1/8"	[3 mm]
USC18-2-50PT	16"	[406 mm]	15-5/8"	[397 mm]	23-5/16"	[592 mm]	22-5/8"	[575 mm]	-		1/8"	[3 mm]
<b>Door-Mount (Top-mount)</b>												
PDMTM15-2-35WH	15"	[381 mm]	15"	[381 mm]	18"	[457 mm]	22-1/2"	[572 mm]	-		1/8"	[3 mm]
PDMTM175-2-35WH	17-1/2"	[445 mm]	17-1/2"	[445 mm]	18"	[457 mm]	22-1/2"	[572 mm]	-		1/8"	[3 mm]
PDMTM18-2-35WH	18"	[457 mm]	18"	[457 mm]	18"	[457 mm]	22-1/2"	[572 mm]	-		1/8"	[3 mm]
PDMTM21-2-35WH	21"	[533 mm]	21"	[533 mm]	18"	[457 mm]	22-1/2"	[572 mm]	-		1/8"	[3 mm]
TSC15-2-35WH	15"	[381 mm]	15"	[381 mm]	18"	[457 mm]	23-3/8"	[594 mm]	-		1/8"	[3 mm]
TSC15-2-35PT	15"	[381 mm]	15"	[381 mm]	18"	[457 mm]	23-3/8"	[594 mm]	-		1/8"	[3 mm]
TSC18-2-35WH	17-1/2"	[445 mm]	17-1/2"	[445 mm]	18"	[457 mm]	23-3/8"	[594 mm]	-		1/8"	[3 mm]
TSC18-2-35PT	17-1/2"	[445 mm]	17-1/2"	[445 mm]	18"	[457 mm]	23-3/8"	[594 mm]	-		1/8"	[3 mm]
<b>TRIPLE BIN UNITS</b>												
<b>Non-Door-Mount</b>												
BSC15-3-20PT	15"	[381 mm]	15"	[381 mm]	17-13/16"	[452 mm]	23-3/8"	[594 mm]	1/4"	[6 mm]	1/8"	[3 mm]
BSC15-3-20WH	15"	[381 mm]	15"	[381 mm]	17-13/16"	[452 mm]	23-3/8"	[594 mm]	1/4"	[6 mm]	1/8"	[3 mm]
PSW15-3-20WH	15"	[381 mm]	15"	[381 mm]	17-13/16"	[452 mm]	23-3/8"	[594 mm]	1/4"	[6 mm]	1/8"	[3 mm]
<b>FOUR BIN UNITS</b>												
<b>Non-Door-Mount</b>												
BSC24-4-27-PT	24"	[610 mm]	24"	[610 mm]	19-1/2"	[495 mm]	22-5/8"	[575 mm]	-		1/8"	[3 mm]
BSC24-4-27WH	24"	[610 mm]	24"	[610 mm]	19-1/2"	[495 mm]	23-3/8"	[594 mm]	1/4"	[6 mm]	1/8"	[3 mm]
PRC24-4-27-W	24"	[610 mm]	24"	[610 mm]	19-1/2"	[495 mm]	23-3/8"	[594 mm]	1/4"	[6 mm]	1/2"	[13 mm]

\* If using lid, add 3/4" [19 mm].

## Example of Frameless / Euro-Style Cabinet Application



Dimensions shown are recommended minimum cabinet dimensions and clearances.