

**NEW!**

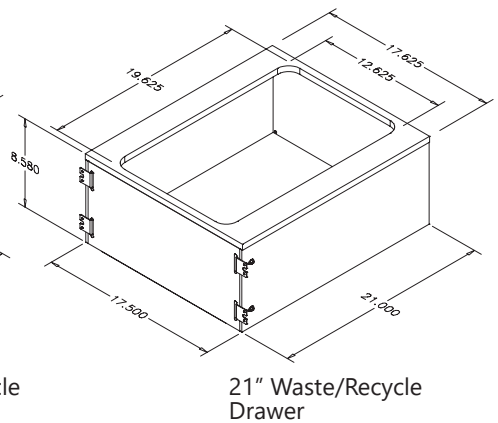
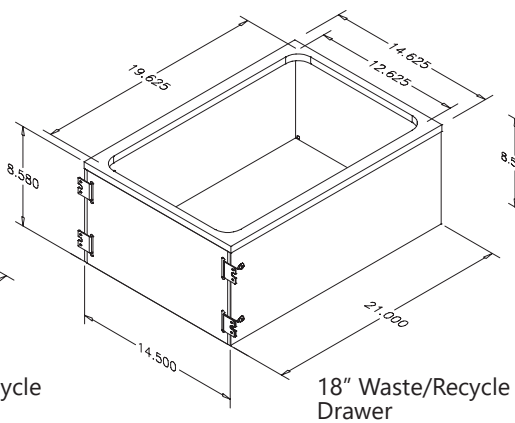
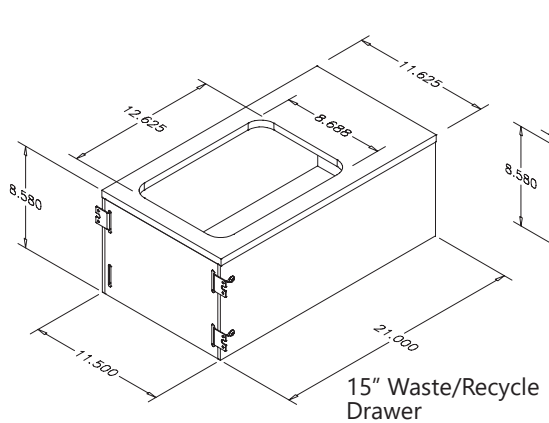
# SELECT WOOD WASTE DRAWERS



## Select Wood Waste Drawers

- Door mount pullout wood drawer for waste/ recycle containers (no drawer slides included)
- Machined for full-extension undermount slides (not included)
- Birch plywood construction - top is edgebanded on left and right sides
- Includes door mount hardware with 6-way adjustment
- Available for 15", 18" and 21" framed cabinets
- Accommodates most 35- and 50-quart containers (not included)
- Packaged individually
- Made in USA

Part #	Description	Retail Price
WR3015DNL1	15" Wood Waste/Recycle Drawer - Single	\$ 149.00
WR3018DNL1	18" Wood Waste/Recycle Drawer - Double	\$ 158.00
WR3021DNL1	21" Wood Waste/Recycle Drawer - Double	\$ 180.00



**Omega National**  
PRODUCTS