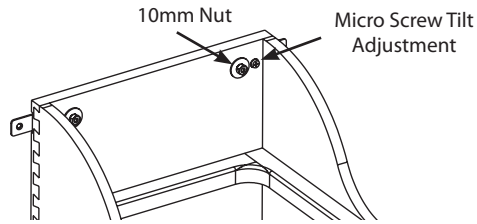
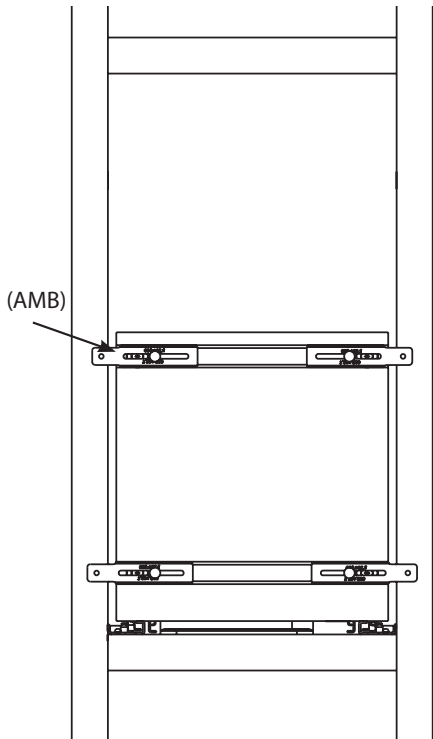


2 Door Mounting

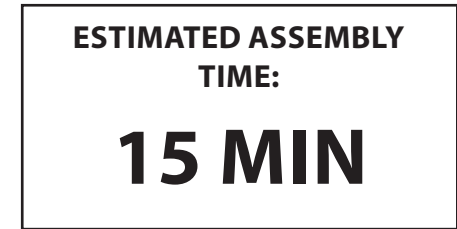
Your waste container features (4) adjustable mounting brackets (AMB).

- 1 Begin by loosening (4) nuts with (10mm) nut driver and slide brackets out to desired location. (**NOTE:** Be sure you are mounting AMB to thick portion of door.)
- 2 Use provided screws to attach your door to wood frame.
- 3 Slide door either left or right for proper door alignment. Re-tighten AMB once set.
- 4 Adjust (4) micro-screws for door tilt adjustment.



READ FIRST

Installation Instructions



- 1 Follow Blum template steps 1-6 for slide installation.

NOTE: Your Rev-A-Shelf waste container is already pre-drilled to accept the Blum tandem slide system. No drawer preparation is necessary.

