

Premiere
Cabinet Accessories

by: **REV-A-SHELF®**

Assembly Instructions for Sink Base Waste Containers

Series 8-785-30-DM2SS



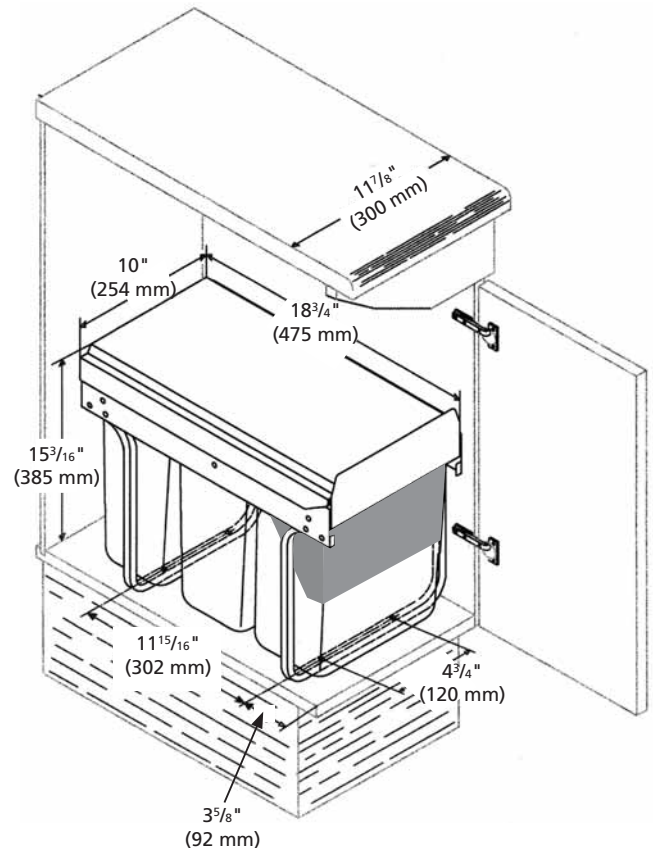
STEP 1

Mount unit to floor of cabinet with 6 screws (provided), per drawing

SEE OTHER SIDE FOR DOOR MOUNTING.



$\frac{3}{16}$ " x 1" (4 mm x 25 mm)



The waste bin can be cleaned with commercial household cleaner.

by:

Assembly Instructions for Door Mounting

STEP 2

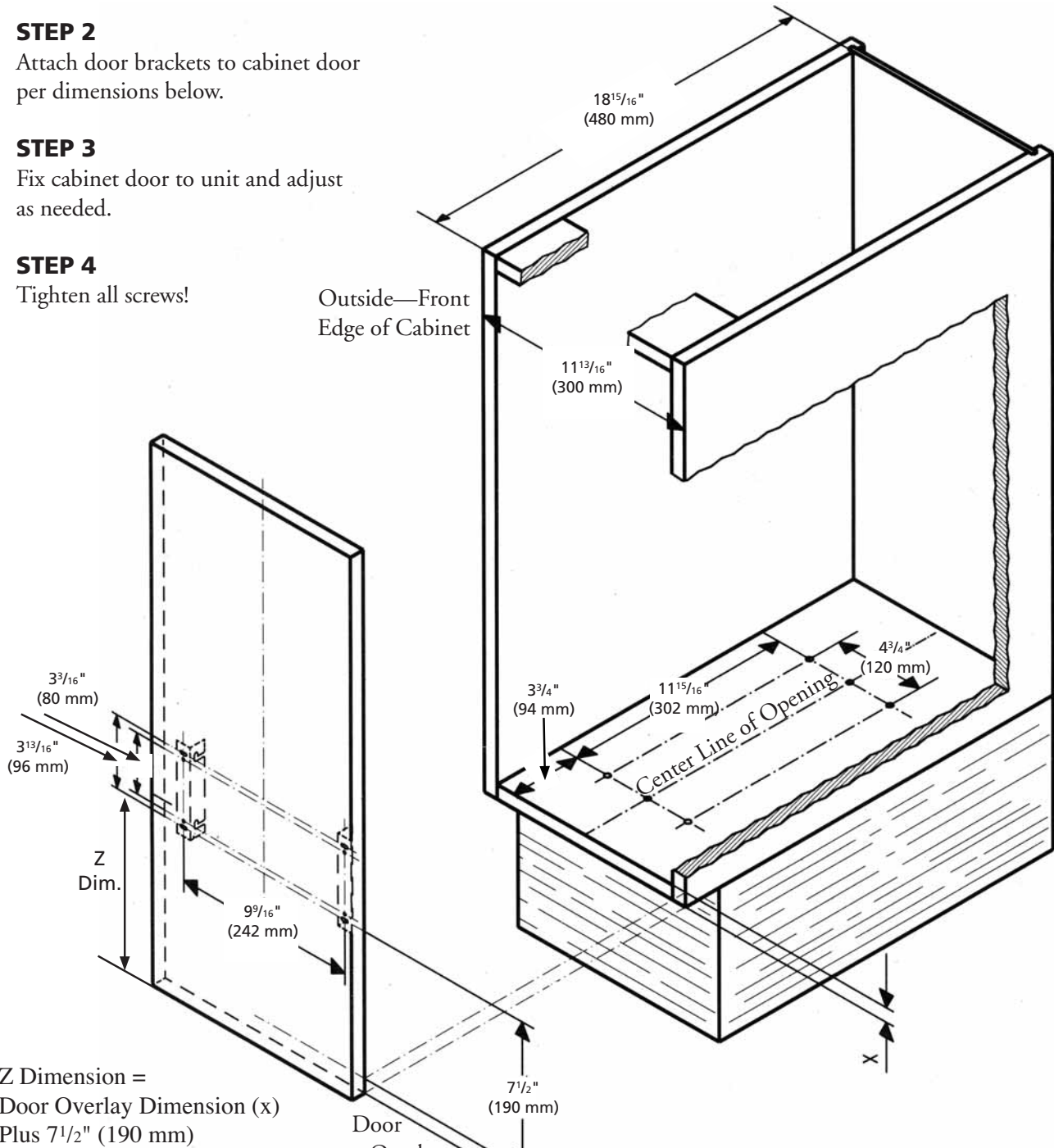
Attach door brackets to cabinet door per dimensions below.

STEP 3

Fix cabinet door to unit and adjust as needed.

STEP 4

Tighten all screws!



Z Dimension =
 Door Overlay Dimension (x)
 Plus 7 1/2" (190 mm)