

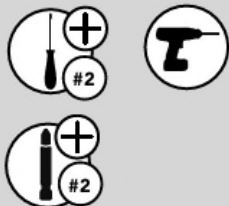
REV-A-SHELF®

Innovation through Organization™

INSTALLATION INSTRUCTIONS

DOOR MOUNT KIT

TOOLS REQUIRED:



ESTIMATED ASSEMBLY TIME:

20 MIN

CARE AND MAINTENANCE:

Clean with a damp cloth and wipe parts dry.

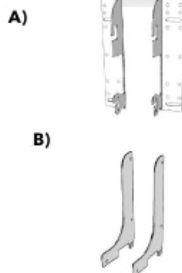
NOTE:

The door mount kit is designed to work with almost any RV series waste container, Single and Two-Tier pull-out baskets, Two-Tier Cookware Organizers and certain Hampers. This kit has a patented design to work with virtually all cabinet door designs.



PARTS LIST:

No.	Description	QTY.
A	Door Brackets	2
B	L Brackets	2
C	Screws and Nuts	4
D	Wood Screws	6
E	Machine Screws	4
F	Door Extenders	4
G	Double Stick Tape	4



WATCH TUTORIALS OF OUR PRODUCTS BEING INSTALLED



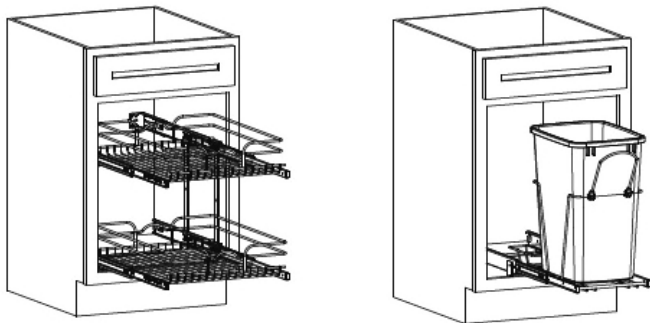
WWW.REV-A-SHELF.COM/VIDEOS

STEP 1

Make sure that your unit is securely installed into your cabinet. Remove the cabinet door and hinges to begin to begin installation.

(See Figure A).

FIG. A



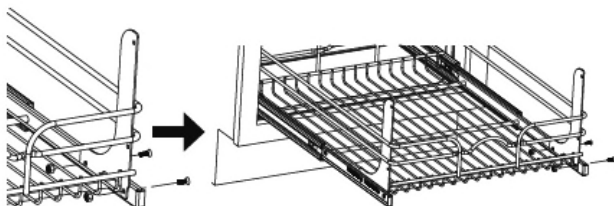
STEP 2

Using the (4) provided screws and nuts, attach the L-Brackets to the slide.

Note: Depending on your particular basket design L-Brackets will mount on either the inside or outside of wire.

(See Figure B).

FIG. B



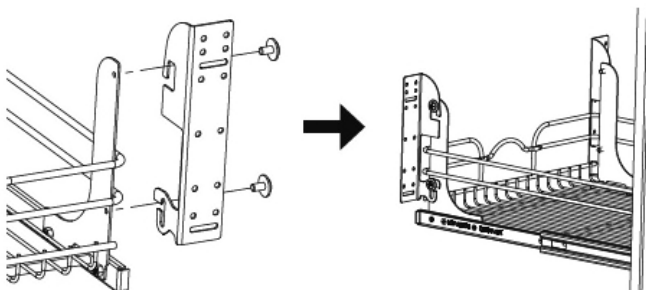
Inside wire shown

STEP 3A

Attach the door brackets to the outside of the L-brackets using the (4) provided screws.

(See Figure C)

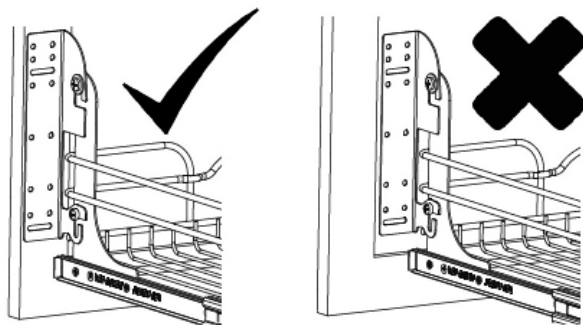
FIG. C



STEP 3B

Since each cabinet door is different make sure the door brackets line up with the thick portion of the cabinet door. This will ensure that the screws will not run thru and damage your door.
(See Figure D)

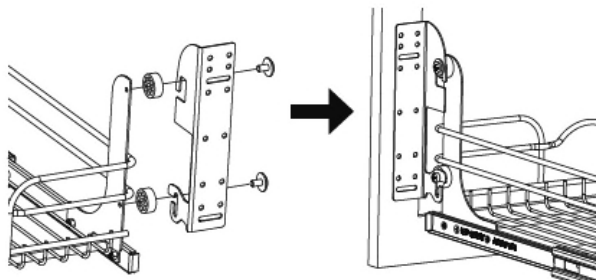
FIG. D



STEP 3C

Plastic spacers are provided if the door brackets need to be extended further to reach the thick portion of the door.
(See Figure E)

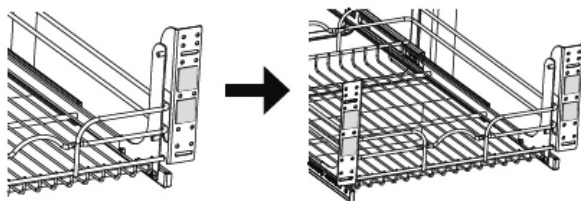
FIG. E



STEP 4

Apply double stick tape to the door brackets.
(See Figure F)

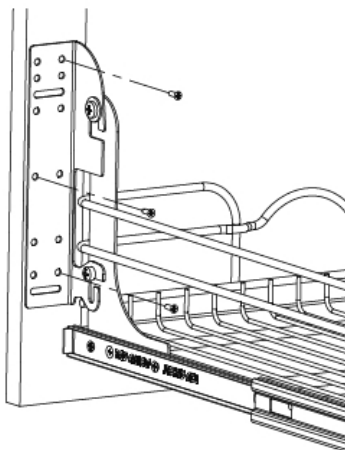
FIG. F



STEP 5

Attach cabinet door to the brackets while trying to keep door level. Don't worry if it is off a little, this can all be adjusted. Double stick tape will hold the door in place while you use the provided wood screws, to secure the brackets to cabinet door. (See Figure G)

FIG. G



STEP 6

Now that cabinet door is attached you will be able to fully adjust the door by loosening and positioning the bolts. Once the door is in the correct alignment, you can retighten all (4) bolts. (See Figure H)

FIG. H

