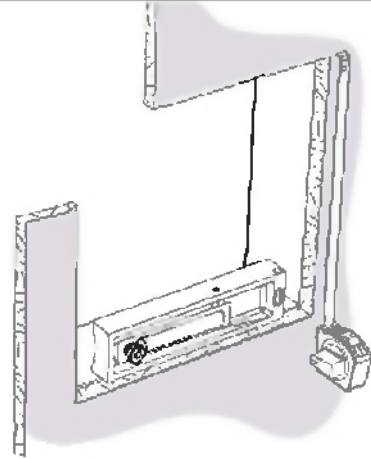
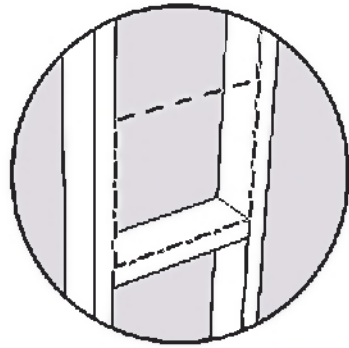




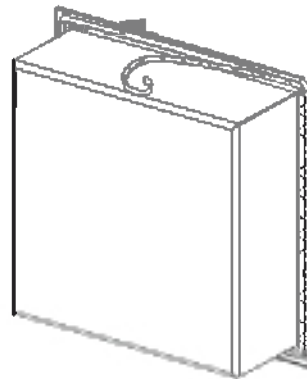
# Shower Niche Installation Instructions

- 1 Add horizontal stud to support bottom of Niche

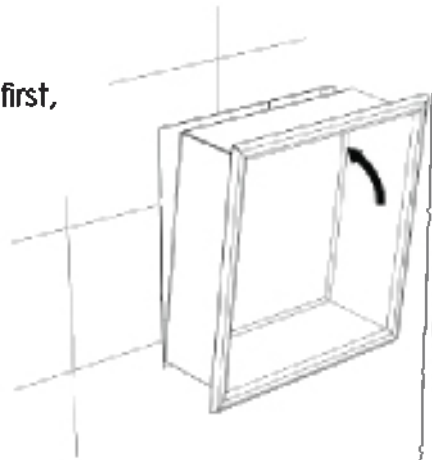
Refer to specifications for cut out dimensions



- 2 Peel off the tape cover.



- 3 Rest the bottom first, then push in.



Apply silicone around all edges.

