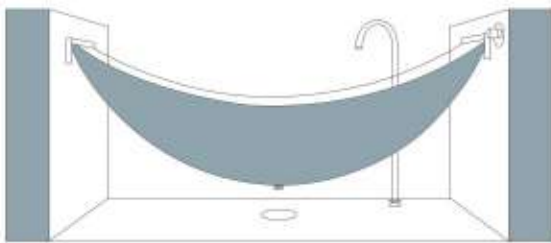


STEP 1: Wall Type

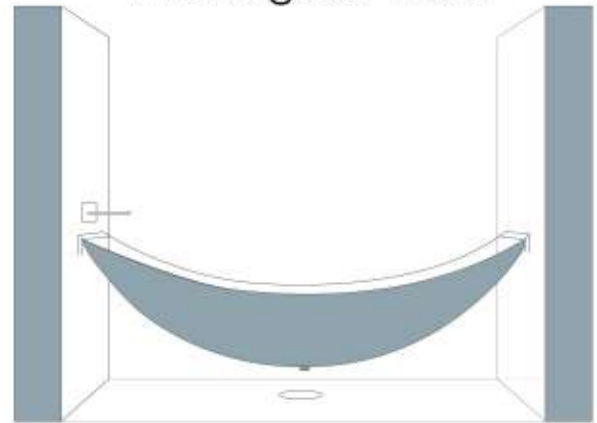
The first step is to decide what type of walls you would like to install your new HammockTub between. In all cases make sure that the finished surface of the walls are exactly 2000mm which is 78 3/4" apart.

Here are four options for the types of walls you can build.

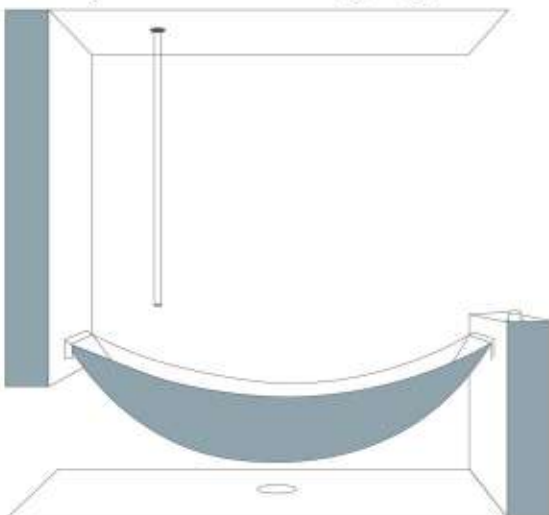
Two Pony Walls



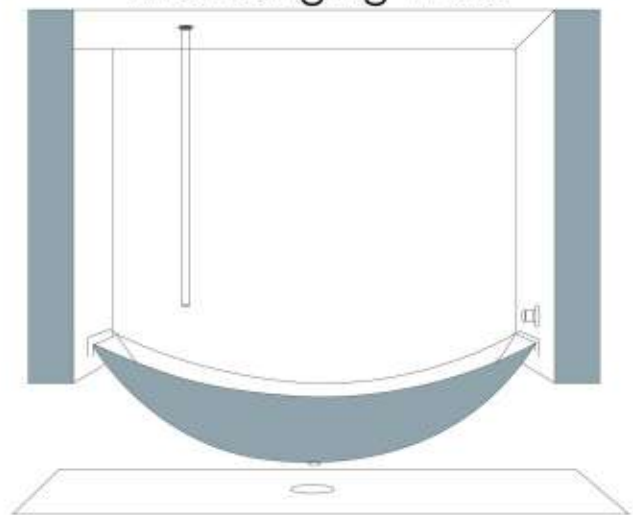
Two Regular Walls



Pony Wall + Hanging Wall



Two Hanging Walls



Visit www.ALFIbrand.com for more information.



HammockTub1 | Installation Instructions



In these instructions we will show samples of installation between two pony walls.



The same wood framing method should be used with the other types of wall installation options shown on the prior page.

Visit www.ALFIbrand.com for more information.



STEP 2: Building the Walls

You have the choice of building the walls out of concrete or wood framing. Just make sure that the finished surface between the walls is exactly 2000mm which is 78 3/4" apart and that the finished wall thickness is between 7 7/8" to 8 5/8". In these instructions we will discuss wood framing and show examples of that. The wall should be framed with 2x8's as shown below.



The ideal height of the metal plates is 27" from the finished floor to the center of the bolts, which would leave the tub hanging about 6" from the bottom of the tub to the floor and 4" from the bottom of the drain splash guard. You can go up to 2" lower or higher if desired.



Visit www.ALFIbrand.com for more information.

HammockTub1 | Installation Instructions

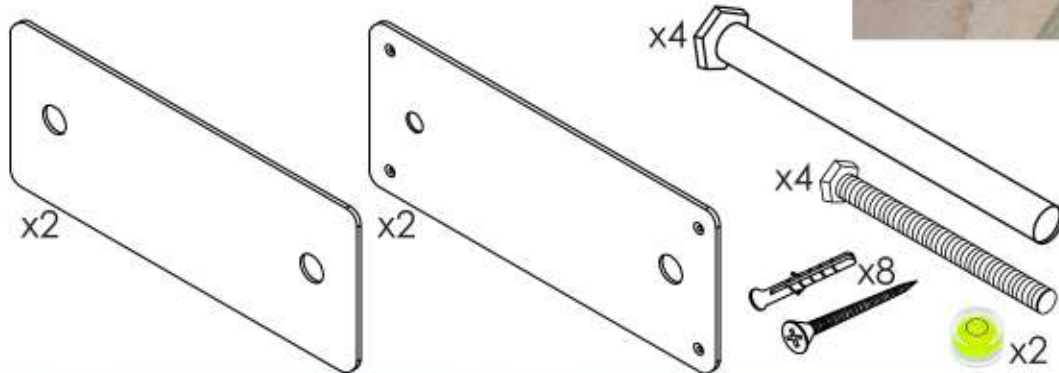


STEP 3: Installing the Metal Mounting Hardware

The metal plates should be installed in the vertical and horizontal center of the 2x8's. Making sure that the plate is level using the included leveling bubbles. Once screwed in you can drill the holes through the wood making room for the bolts. We recommend having all three 2x8's stacked and secured together to allow screwing the holes through all three of them at the same time.



Parts included in the box.



Visit www.ALFiBrand.com for more information.

HammockTub1 | Installation Instructions



STEP 4: Mounting the Tub

The tub has two hooks on both sides which allow it to hang on the bolts that stick out of the metal brackets.



After you mount the tub on the bolts you should tighten them in place by spinning the bolt on the outside of the wall while holding the other end of the bolt under the tub hook.

Now you are ready to install the pop up drain and connect it to the drain splash guard under the tub.



Visit www.ALFIbrand.com for more information.