

TrueOfuro Series Bathtub

A cutting-edge tub featuring state-of-the-art electronic controls

aquatica®

Function : Form : Fashion



Key Features:

- Made of 5th Generation AquateX™ solid surface material
- Two small sizes that will fit spaces where no other tub would ever have a chance
- Full-body bathing experience in extremely small form factor
- Numerous color and finish options
- Water heating and recirculation option with ozone disinfection
- Hot tub like temperature control feature that has no competition in this small size segment
- Integrated chromotherapy option
- Integrated Bluetooth Audio option
- Available for all international and domestic electrical systems – US/Canadian/Japanses 110V, US/Canadian 220-240V, European/International 220-230V/50Hz systems.
- 1.5-2.5kW heating elements available
- All systems fully integrated inside the bath body.



Optimized for seated soaking - even 6ft plus bathers

There is nothing else quite like our True Ofuro. This unique, modern take on the traditional Japanese-style bathtub is made for seated soaking. So the design incorporates a built-in seat and the depth of the tub has been extended to 24.25" (61.5 cm) to ensure full body immersion for even 6ft (180 cm) plus bathers. The interior ergonomics of this bathtub is all directed to providing effortless comfort and support.

TrueOfuro Series Bathtub

A cutting-edge tub featuring state-of-the-art electronic controls

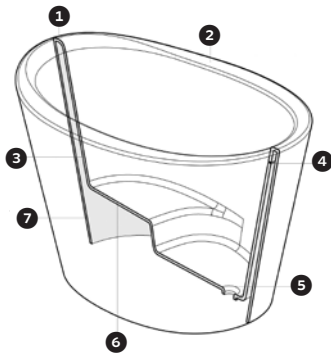
aquatica®

Function : Form : Fashion



Built-in ergonomical headrest

The True Ofuro Japanese style bathtub features an ergonomic built-headrest for comfortable and relaxing bathing experience. Aquatica continues to invest substantial amounts in R&D, especially in material science, ergonomics research and design. On the other hand, this bathtub is still able to deliver total bathing pleasure. The surprisingly large 16.25" (41 cm) depth and interior length rising to 4ft (122 cm) at the top edge, allows full body soaking and relaxation.



Ergonomically designed integrated seat with back support

Without doubt, the key feature of our Ofuro bathtub is the built-seat and ergonomically shaped backrest – designed for relaxing full body immersion. Discretely integrated and concealed overflow channel further adds to this modern Ofuro bathtub's charm.

- ① Ergonomic neck support
neck / head rest
- ② Wide rim design
easy to get in / get out
- ③ Comfortable backrest angle
allows for deep soaking
- ④ Discrete overflow
- ⑤ Drain hole
AquateX™ material plug
- ⑥ Ergonomic interior
optimized sitting position
- ⑦ AquateX™ material
matte finish / stone



Beautiful and useful standard and optional natural teak wood accessories

The Aquatica True Ofuro Japanese style bathtub ships standard with a teak wood shelve – a beautiful and very useful solid teak wood accessory intended for your personal hygiene items. The teak step is optional and recommended for older people or those shorter than 5" to ease the process of getting in and out of the bathtub.



Modern Capacitive Glass Keypad with Hot Tub Like Temperature Adjustment Function

Two modern, minimalist, LED-lit capacitive glass keypads with no moving parts provide the True Ofuro Tranquility series bathtubs with upscale look and hot tub like temperature control functionality. The 2-digit capacitive glass LCD displays the current water temperature while the two arrows allow the bather to adjust the water temperature to the desired level up to the maximum allowed level of +40C (104F).

Optional Aquatica Bathtub Nordic Insulation System

The Aquatica Bathtub Nordic Insulation System is a complete bathtub insulation system, designed for non-heater and certain heater equipped bathtub models installed in colder environments, designed to insulate and air seal all the bathtub inner surfaces, including the bathtub bottom. This premiere insulation system creates an air chamber that prevents heat loss; and maximizes energy efficiency which, of course, leads to energy savings. The Aquatica Bathtub Nordic Insulation System has been designed to work perfectly with the Aquatica Dual Wall solid surface superstructure. It creates a perfectly insulated, sound-proof, monolithic solid stone interior while benefiting from some substantial weight savings.