

Safety Information

1. Please read carefully and follows all instruction when operating.
2. An earth leakage circuit-breaker must be installed in the power box and please check it carefully before use.
3. To avoid electric shock, the wires replacement must be done by the electrical engineer or the retailer. Please do not change the wires by yourself. The wire shall be 3×1.5mm²
4. The earth wire of the water pump and air pump surface must be connected well. The minimum of the copper must be 1.5mm²
5. Please do not modify, append or eliminated the product.
6. Please do not use the product after alcohol or drug.
7. The children user shall be closely supervised by parents.
8. All the electrical spare parts except the remote controller must be stable to avoid slip into the bathtub.
9. Warning: the water temperature shall never exceed 60 degree centigrade.
10. Please do not use the strong causticity chemical liquid to clean the product, such as vitriol, hydrochloric acid and lye.
11. Please do not touch the surface of the surface of the power generator when it is running.
12. The water level must be higher than the jets before turning the product on.
13. Please do not drop anything into the pump or power generator connection.
14. Warning: to avoid electrical shock, the GFCI/RCD (Earth leakage circuit Breaker) must be installed.
15. Warning: to avoid electrical shock, please do not use extended wire. The socket must be installed near the product.
16. Bathtub working conditions: water pressure is 0.5-0.40MPa, and the ground must have the ability to support the expected loading.

Maintenance Instruction

1. The cleaning of the acrylic surface :

The sponge and water could be used for the daily maintenance. If there are scratches appear in the surface, please use the 1500 waterproof abrasive paper to polish the surface. Then use toothpaste to polish again. Also some dirt cleaning machine could be used. However, the strong causticity chemical liquid could not be used fo the cleaning, such as vitriol, hydrochloric acid and lye.

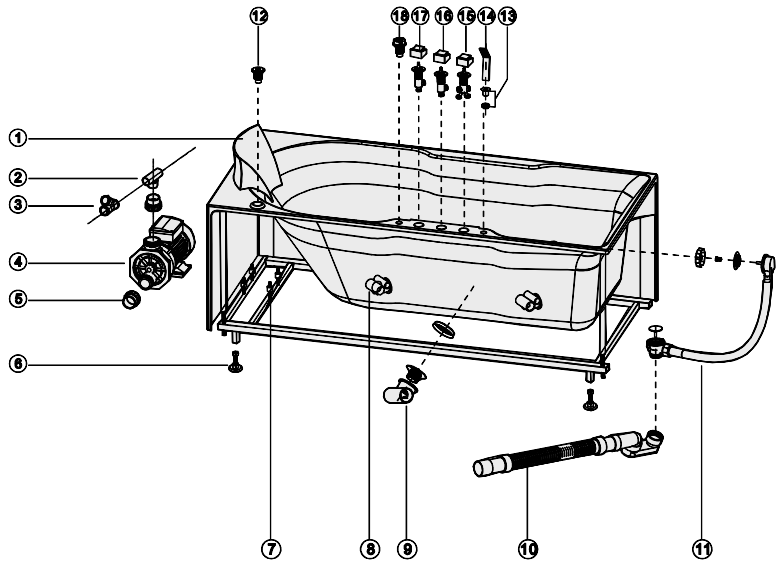
2. Electroplate cleaning :

Please use the soft cloth for the cleaning. Please do not use the rough cloth.

3 . Suction net cleaning :

Turn the screw out and take the suction net out, clean it to keep the water going through smoothly. Please do not use strong the strong causticity chemical liquid could not be used fo the cleaning, such as vitriol, hydrochloric acid and lye.

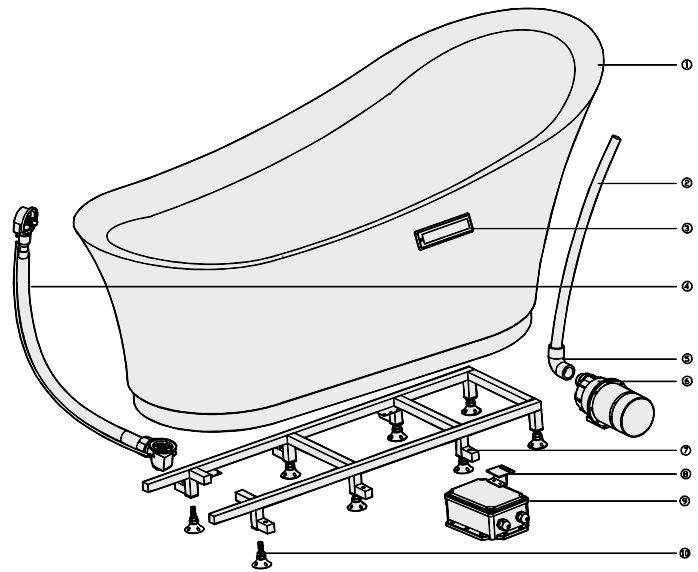
AM 212 Components instruction




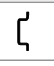





AM 212 Components instruction

1. H46B pillow	2. A07 lengthen plastic	3. 3.1 inch skew T-cock	4. Water pump	5. Water pump joint	6. Bathtub leg	7. Shockproof plastic pellet
8. AK-065D nozzle	9. Plastic backwater	10. Deodorant drain	11. 3628A-2 plastic drain	12. Water pump switch	13. Water proof shower sock	14. HC1500CP hand shower
15. 7080B/D16 valve	16. Chrome plated plastic adjustment switch					

AM 214 Components instruction



AM 214 Components instruction

1. Bathtub	2. Connect air tube	3.PR0105-B401 control board	4.306C drain	5.90 degree elbow	6. AP400 air pump	7. Stainless steel bracket
						
8.fused clip of computer board	9.PR0105-B401 computer board	10. Bathtub leg				
