

EAGO

AM 213 Installation Introduction

∴kitchensource.com

☎ 1.800.667.8721

Safety Information

- 1 Please read carefully and follows all instruction when operating.
- 2 An earth leakage circuit-breaker must be installed in the power box an please check it carefully before use.
- 3 To avoid electric shock, the wires replacement must be done by the electrical engineer or the retailer. Please do not change the wires by yourself. The wire shall be 3×1.5mm²
- 4 The earth wire of the water pump and air pump surface must be connected well. The minimum of the copper must be 1.5mm²
- 5 Please do not modify, append or eliminated the product.
- 6 Please do not use the product after alcohol or drug.
- 7 The children user shall be closely supervised by parents.
- 8 All the electrical spare parts except the remote controller must be stable to avoid slip into the bathtub.
- 9 Warning: the water temperature shall never exceed 60 degree centigrade.
- 10 Please do not use the strong causticity chemical liquid to clean the product, such as vitriol, hydrochloric acid and lye.
- 11 Please do not touch the surface of the surface of the power generator when it is running.
- 12 The water level must be higher than the jets before turning the product on.
- 13 Please do not drop anything into the pump or power generator connection.
- 14 Warning: to avoid electrical shock, the GFCI/RCD (Earth leakage circuit Breaker) must be installed.
15. Warning: to avoid electrical shock, please do not use extended wire. The socket must be installed near the product.
16. Bathtub working conditions: water pressure is 0.5-0.40MPa, and the ground must have the ability to support the expected loading: AM213 is 550kg.

Maintenance Instruction

1. The cleaning of the acrylic surface :

The sponge and water could be used for the daily maintenance. If there are scratches appear in the surface, please use the 1500 waterproof abrasive paper to polish the surface. Then use toothpaste to polish again. Also some dirt cleaning machine could be used. However, the strong causticity chemical liquid could not be used fo the cleaning, such as vitriol, hydrochloric acid and lye.

2. Electroplate cleaning :

Please use the soft cloth for the cleaning. Please do not use the rough cloth.

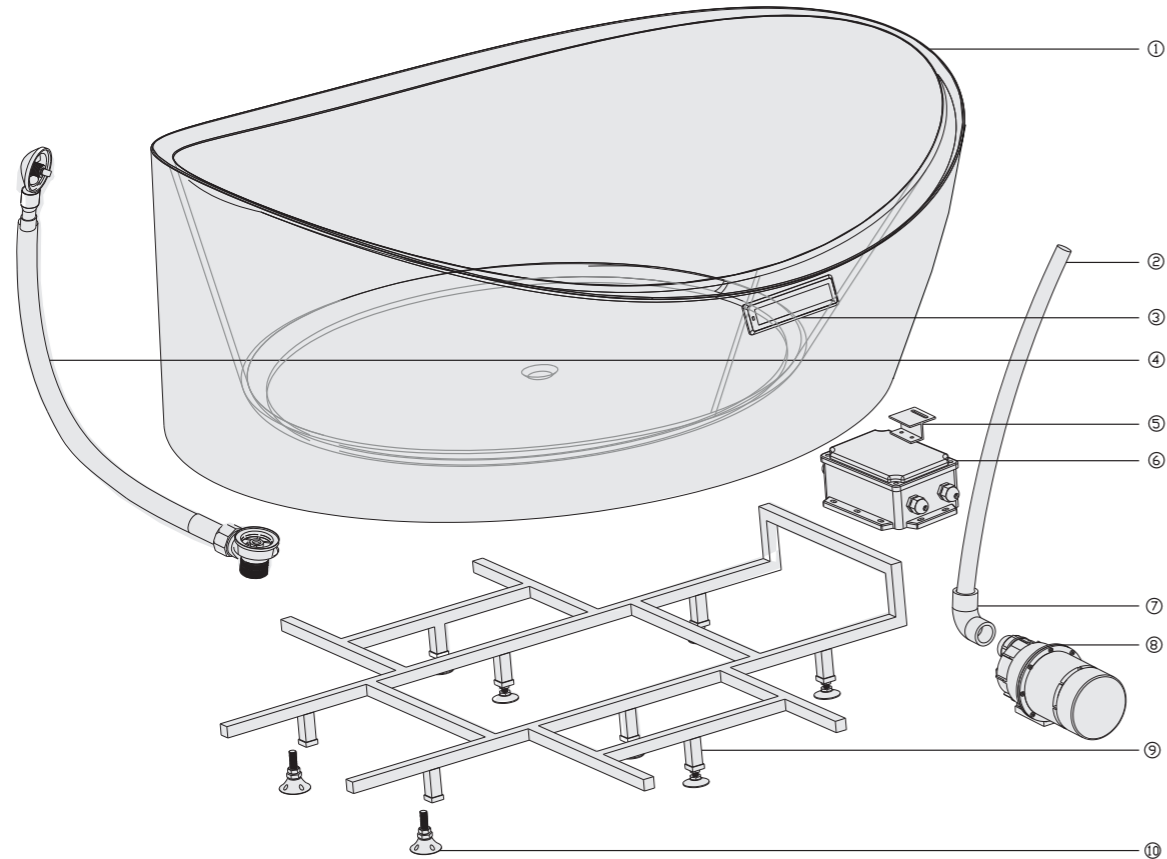
3 . Suction net cleaning :

Turn the screw out and take the suction net out, clean it to keep the water going through smoothly. Please do not use strong the strong causticity chemical liquid could not be used fo the cleaning, such as vitriol, hydrochloric acid and lye.




Contents

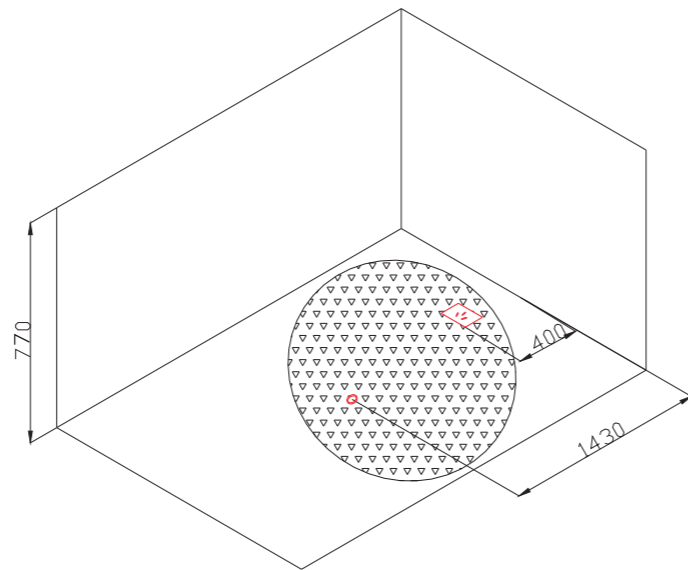
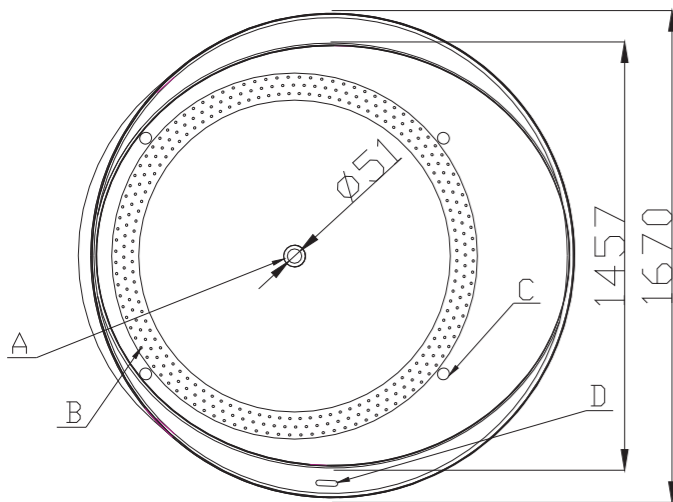
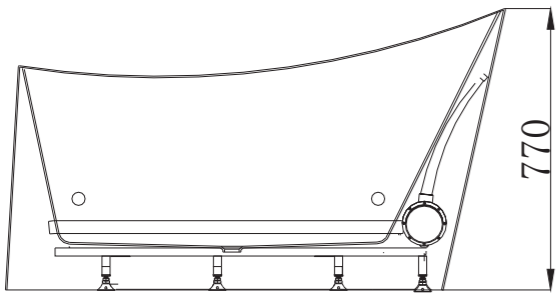
01-02	Am213
03	AM213 Water and Wire Instruction Diagram
04	Installation Step
05	Wire Connection Diagram for Whirlpool Bathtub
06	Control Panel Usage Instruction
07-08	Maintenance Record
09	Troubleshooting Instructions

AM 213 Components Structure



AM 213 Components Structure

1.Bathtub	2. Air pipe	3.PR0105-B401 Control panel	4.3623A-100 Drain	5.PC board clip	6.PR0105-B401 PC board	7.90 degree elbow
						
8.AP700 Air pump	9.Stainless steel bracket	10.Adjustable foot				
						



The product use the standard accessories. Please refer to the production tech parameter and follow the installation step as below:

1. Confirm the product install position→2. Adjust the product to horizontal→3. Connect the water inlet and drain pipe→4. Connect the power→
5. Check and confirm→6. Reposition→7. Water testing

1. Confirm the product install position

Please refer to the product tech parameter to connect the water inlet pipe, power socket and drain tube, and check if there is enough space for the connection.

2. Adjust the product to horizontal

Adjust the adjustable feet of the bathtub to make the product to horizontal.

3. Connect the water inlet and drain pipe

The drain pipe is lay in the bottom of the bathtub, with diameter 38mm. The pipe could be elbow and extend easily. Please put the pipe into the drain system and seal it well. Please keep the pipe running through to avoid water exhausted.

4. Connect the power

The product is suitable for the required power when purchasing. Please install the power socket according to the tech parameter. Pay attention to the water. Connect the connector plugs into the socket. (Note: the yellow-green-color wire from the water pump is the earth wire, which the diameter is 8mm.)

5. Check and confirm

Please check the connection parts are sealed or not after the installation. Clean the dirt in the bathtub and open the drain and then clean the bathtub. In order not to stuff the drain pipe and jets, please clean the dirt before the cleaning.

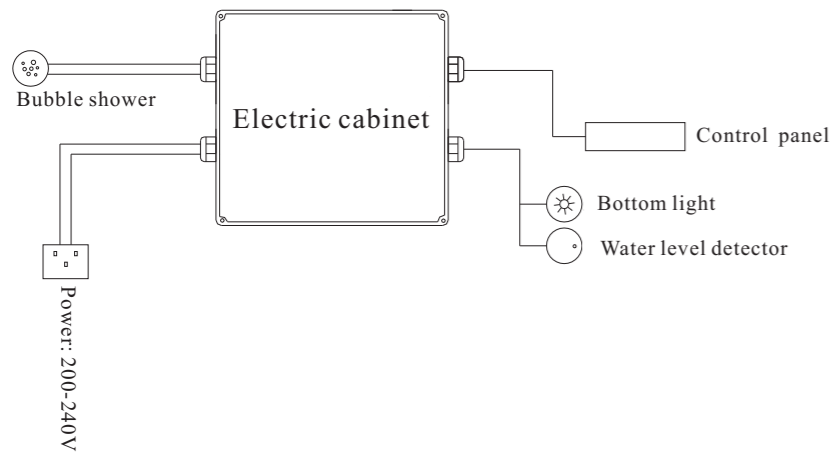
6. Reposition

Reposition the product to the install position.

7. Water testing

Confirm the bathtub is clean and close the drain. Start storing the water and check if the bathtub is leak or not. When the water level is higher than the probe, test the control panel function according to the instruction.

Wire Connection Diagram for Whirlpool Bathtub

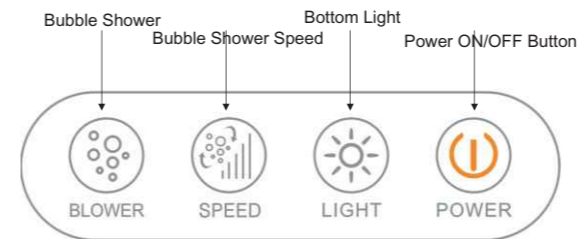


Electric parameter

Spare part Parameter	Massage Pump	Ozone machine	Bottom light	Thermostat	Electromagnetism valve	PC control panel	Speaker	Note
Rate voltage	■		■			■		
Rate voltage	■		■			■		
Rate power	■		■					

Control Panel Usage Instruction (AM213)

PC control panel



1 The induced button clicks when valid operation, but there is no response if invalid operation.

1 Power ON/OFF

Press the key for more than 1 second to turn on or turn off the system. The control panel would be turned off automatically for each time it is turned on in 60 minutes. The bottom lights would be turned on when the system is turned on. Turn on the power and the light button the red light will be turned on. Press the key again to turn off the system.

2. Bottom light

Turn on the system and press the key to turn on or turn off the bottom light and the red light.

Bubble function instruction:

2. The power of the bubble: weak, middle and strong.

3. Bubble button

Turn on the system and press the key to turn on or turn off the bubble function and the red light.

4. Bubble setting button

Turn on the system and the bubble function, press the key to set the bubble power among the strong, middle and weak level.

Cleaning function instruction

Turn off the system and the wait for the water in the bathtub is totally drained. After 10 seconds (it is based on the water level detector which tests if there is no water left in the bathtub in 10 seconds), the air pump will be turned on automatically and blow dry the water left in the bathtub pipes, and it will be turned off automatically after 90 seconds.

Troubleshooting

functions	Causes	Solutions	Malfunctions	Causes	Solutions
The bathtub shaking and 'make noise.	1. The steel stand at bottom of bathtub is not balance. 2. The fasten screws for motor and shockproof rubber is incomplete close. 3. Problem of motor.	1. Adjust the leg to make the steel stand even. 2. 4 Pieces of screw and 4 shockproof rubbers shall be provided of the motor. Fasten the nuts. 3. Contact with your dealer or the manufacturer.	Chromotherapy light doesn't work.	1. Plug is off. 2. Control circuit board is burnt.	1. Re-plug in the plug or replace plug. 2. Contact with your dealer or the manufacturer.
			Slow water outlet	1. Supply water pressure is low. 2. Water inlet block.	1. Check supply water pressure. 2. Clean water inlet filter.
			The filter doesn't work	1. The rubber ring in the filter is damage.	1. Change a new one.
The pump is running, but poor jet action.	1. The suction net partly blocked. 2. Not adequate water level. 3. Adjusting valve of function is shut down. 4. The inlet pipe of pump exist air. 5. Other probable cause.	1. Take off the suction net with screwdriver. Clean it to keep the water going through smoothly. 2. Pour more water until it over flow the sensor. 3. Open the adjusting valve of function. 4.a) Open the washout valve to exhaust the air inside the pipe, b) Check and tighten all connection part of the inlet pipe. c) Close the washout valve properly. 5. The water pipe and air pipe may be mixed up. Please contact the professional technician to fix it.	No bubble out from the Hydro-massage jet	1. Air pipe block. 2. Air pump is switch off. 3. Air pump does not operate.	1. Take off the lid of the jet, clean the small air hole by thin wire. 2. Turn on the air pump. 3. Follow the "air pump does not operate instruction "process to check the air pump.
			The pop-up water outlet valve can't pop-up or it is leaking	1. The waste cover is leakage, the screw is loose or the water divert adjust too low. 2. The pulling cord of water outlet is broken. 3. The washer is uneven.	1. Take off the stopper of pop-up water outlet valve, fasten the screw or adjust the mandril to the proper place. 2. Replace with new rubber. 3. Dismantle the water outlet, level the washer and re-install it.
			Some water left inside the pipe	Some models of bathtub can not drain all water out from the pipe because of its special construction.	
The massage motor or the air motor can't be started.	1. Voltage is abnormal or electric power is disconnected. 2. The air pressure switch or the micro pneumatic switch is broken	1. Take off the cover of the jet which does not work and clean the air pipe. 2. Turn on the air pump. 3. Check the air pump as the air pump motor failure instruction.			