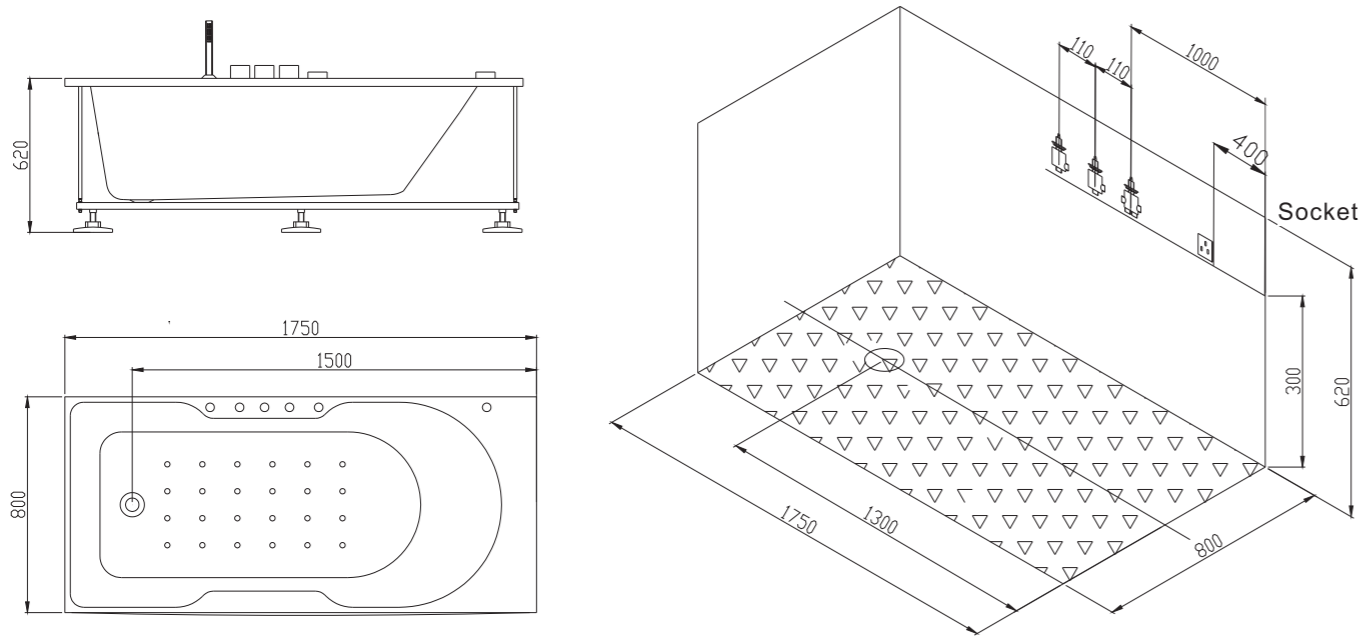
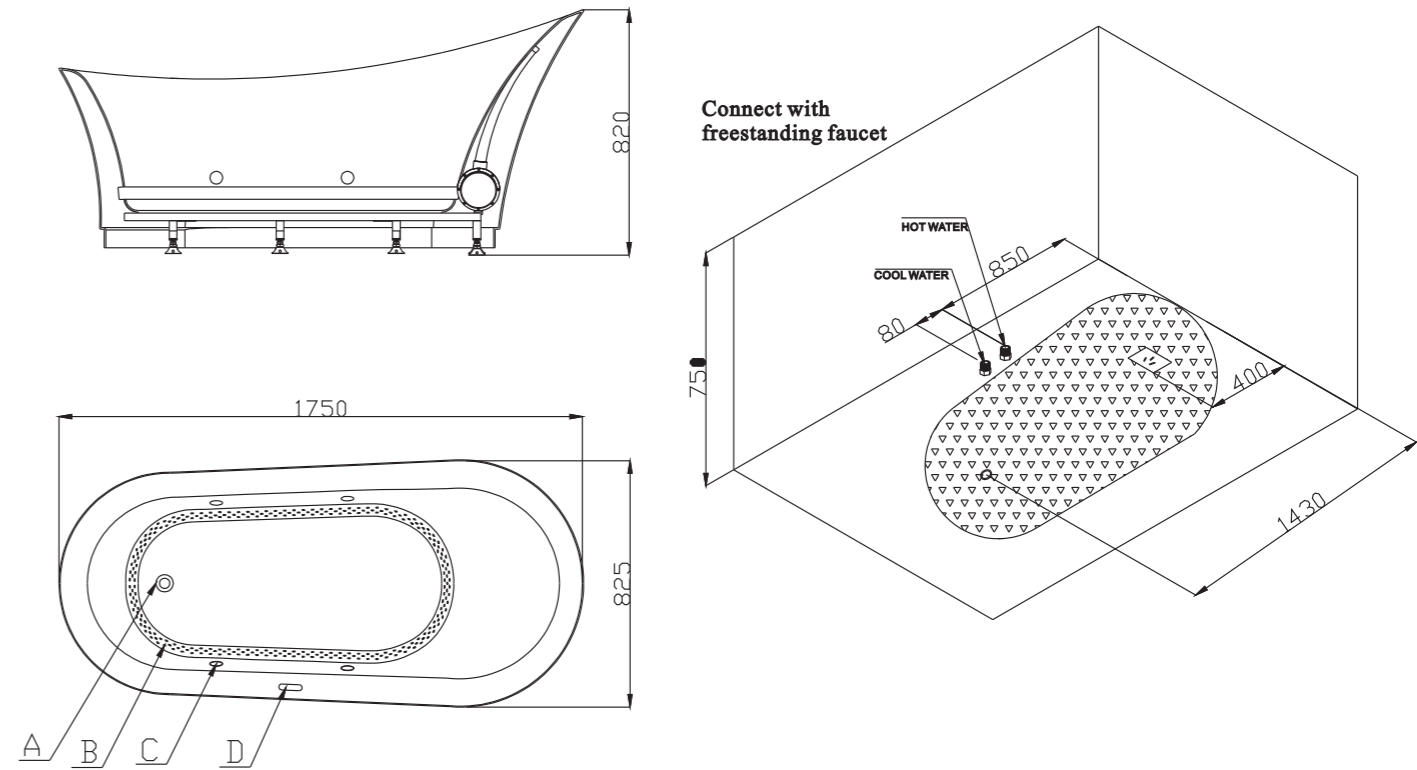


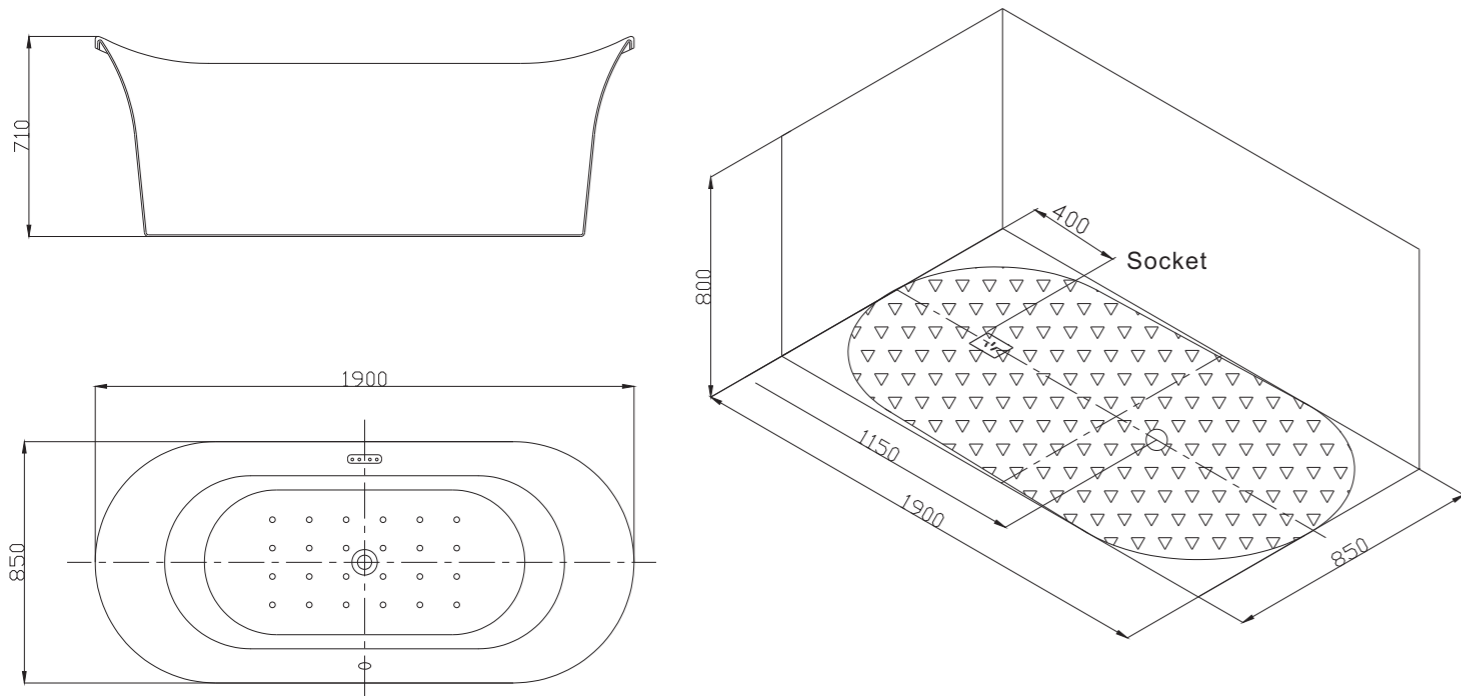
AM212 Wire and water connection diagram



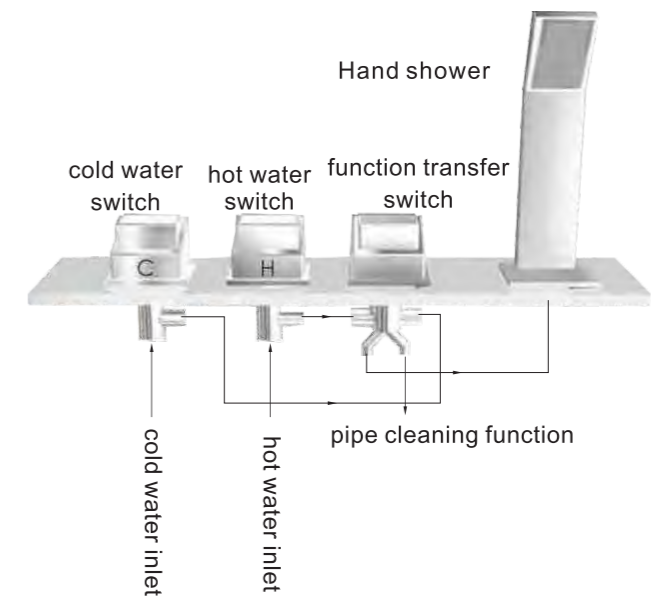
Am214 Wire and water connection diagram



GKF1900-1 Wire and water connection diagram



Water pipe of AM212 faucet connection diagram



Installation steps

The product adopts standard accessories. Please refer to production tech parameter and follow the below steps for installation:

1. Confirm the product installation position → 2. Adjust the product to horizontal → 3. Connect the water inlet and drain → 4. Connect the power → 5. Check and clean → 6. Reposition → 7. Pouring water and test

1. Confirm the product installation position

Please see to the product technique diagram and related tech parameter to connect the water pipe, socket and water inlet pipe. Confirm if there is enough space for the connecting.

2. Adjust the product to horizontal

Adjust the adjustable leg of the product to adjust it to horizontal level.

3. Connect the water inlet and drain

The water outlet pipe is at the bottom of the bathtub with diameter 38 mm, the pipe could be elbow in whatever way you like. Please put the bathtub water outlet pipe elbow into the drainpipe and seal it well. Please keep the pipe running through to avoid water exhausted.

4. Connect the power

This item is suitable for the required power when purchased; please install the stock according to the direction of the technique parameter and connect the connector plugs into the socket. (Noted: the yellow-green color wire from the water pump is the ground line, the diameter is 8 mm).

5. Check and clean

After the above steps, please check the joints are sealed well or not. Clean the dirt in the bathtub and open the drain. to clean the bathtub by water. In order not to stuff the pipeline and jets, please do clean the dirt before washing.

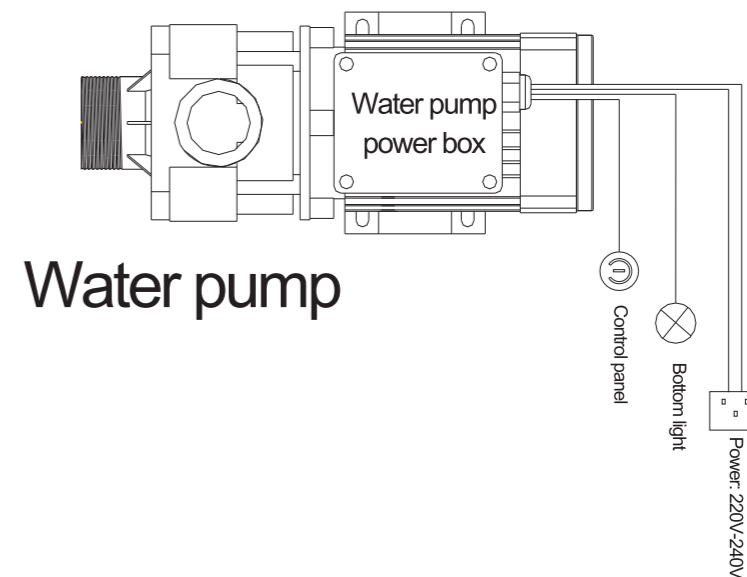
6. Reposition

Reposit the product to where you want.

7. Pouring water and test

Confirm the bathtub is clean. Close the drain and start storing water. When the water level is higher than the probe, turn on the bathtub and try the functions according to the control panel instruction.

AM212 installation and wire connection diagram



Electrical parameters

Configuration Parameter	Water pump	Ozone	Bottom light	Thermostat	Solenoid Valve	Computer controller	Speaker	Note
Rated operational voltage	AC220-240V/50HZ							
Rated operational voltage	AC110-120V/60HZ							
Rated power	750W							