



ACRYLIC FREESTANDING BATHTUB SERIES

OWNER'S MANUAL & INSTALLATION GUIDE



READ ENTIRE INSTALLATION GUIDE PRIOR TO INSTALLING THE BATHTUB

This bathtub should only be installed by a certified plumber
two people are required to lift the bathtub

For installation and assembly videos, please visit our website
www.streamlinebath.com

OR

our YouTube page by searching for
"Streamline Bath"

OR

following the below link to our channel:

<https://www.youtube.com/channel/UCII7TGMbkwoGSqzo-pGfaJw>



**Drain D1040C-XX
Installation Video**



**Drain D1040F
Installation Video**



**Drain D1845-XX
Installation Video**



**Drain ND-045-XX
Installation Video**



**Drain N-PU-1606-XX
Installation Video**

PRIOR TO INSTALLATION

These products must be installed by a fully insured and licensed plumber only.

Installation of any product by anyone other than fully insured and licensed plumber shall void limited warranty.

We are not responsible for any local code compliance for this product.

Building and plumbing codes may vary state-to-state.

Streamline shall not be held liable for any and all incidental damages or flood caused due to use of this product.

Streamline shall not be held liable for any and all fees stemming from cost of installation, re-installation, removal, subsequent damage, or transportation in a case of a product defect.

TOOLS REQUIRED



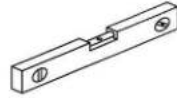
SILICONE



MEASURING
TAPE



PENCIL



LEVER BAR

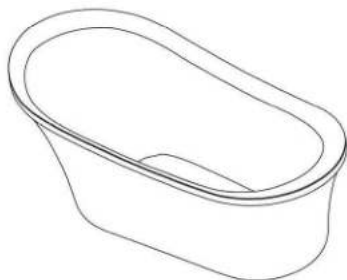


ADJUSTABLE
KEY



SAFETY
GLASSES

WHAT'S IN THE BOX



BATHTUB



D1040F-XX
OVERFLOW ASSEMBLY PRE-INSTALLED;
DRAIN & OVERFLOW COVER COME
INCLUDED IN A SEPARATE BOX



A1845-XX
OVERFLOW ASSEMBLY PRE-INSTALLED;
DRAIN COMES INCLUDED IN A SEPARATE
BOX; NO OVERFLOW COVER BY DESIGN



ND-025-XX
DRAIN COMES INCLUDED
IN A SEPARATE BOX; NO
OVERFLOW HOLE BY
DESIGN



D1040C-XX
DRAIN, OVERFLOW ASSEMBLY, AND
OVERFLOW COVER COME INCLUDED
IN A SEPARATE BOX



N-PU1606-XX
DRAIN COMES INCLUDED IN A
SEPARATE BOX; NO OVERFLOW
COVER BY DESIGN



FLEXIBLE HOSE
(INCLUDED WITH ALL
BATHTUB MODELS)

**XX REPRESENTS DIFFERENT COLORS OF THE ITEM

DRAIN MODEL COMPATIBILITY

FREESTANDING BATHTUB



MODEL:
D1040F-XX

| | | | | | | |
|--|---|--|--|--|---|--|
| | | | | | | |
| N-140-60FSWH-FM N-141-65FSWH-FM N-142-62FSWH-FM | N-160-60FSWH-FM | N-260-66FSWH-FM N-261-62X30FSWH-FM N-262-58FSWH-FM N-263-62X33FSWH-FM | N-300-59FSWH-FM N-301-69FSWH-FM N-302-65FSWH-FM | N-320-60FSWH-FM N-321-70FSWH-FM | N-360-62FSWH-FM | N-660-59FSWH-FM |
| | | | | | | |
| N-380-63FSWH-FM N-381-67FSWH-FM | N-420-63FSWH-FM N-421-67FSWH-FM N-422-70FSWH-FM | N-540-62FSWH-FM N-541-67FSWH-FM N-542-70FSWH-FM | N-560-59FSWH-FM N-781-67FSWH-FM N-562-71FSWH-FM | N-580-62FSWH-FM N-581-66FSWH-FM | N-620-63FSWH-FM N-621-59FSWH-FM N-622-67FSWH-FM | N-880-59FSWH-FM N-881-63FSPRWH-FM N-882-67SBL-FM |
| | | | | | | |
| N-680-59FSWH-FM N-681-67FSWH-FM N-682-63FSWH-FM | N-700-59FSWH-FM N-701-67FSWH-FM | N-760-63FSWH-FM | N-780-59FSWH-FM N-781-67FSWH-FM | N-800-67FSWH-FM N-801-59FSBL-FM N-802-67FSBL-FM N-803-59FSWH-FM | N-640-59FSWH-FM | N-1240-67FSWH-FM N-1241-59FSWH-FM |
| | | | | | | |
| N-940-75FSWH-FM | N-980-67FSWH-FM | N-1000-71FSWH-FM | N-1040-59FSWH-FM N-1041-67FSWH-FM | N-1200-67FSWH-FM N-1201-59FSWH-FM | N-840-59FSWH-FM N-841-67FSWH-FM | N-1400-67FSWH-FM |
| | | | | | | |
| N-1260-67FSWH-FM N-1261-59FSWH-FM | N-1280-67FSWH-FM | N-1300-67FSWH-FM N-1301-59FSWH-FM | N-1320-67FSWH-FM N-1321-59FSWH-FM | N-1340-67FSWH-FM | N-1220-67FSWH-FM N-1221-59FSWH-FM | N-662-59FSBLU-FM N-663-67FSBL-FM N-664-59PRWH-FM |
| | | | | | | |
| N-1440-67FSWH-FM | N-1460-67FSWH-FM | N-1480-59FSWH-FM | N-1500-63FSWH-FM N-1500-67FSWH-FM | N-1540-67FSWH-FM | N-1360-67FSWH-FM | N-1681-59FSWH-FM N-1682-59FSBL-FM |
| | | | | | | |
| N-1782-67FSWH-FM | N-240-60FSWH-FM | N-3300-59FSWH-FM N-3301-67FSWH-FM | N-3320-59FSWH-FM N-3321-63FSWH-FM N-3322-67FSWH-FM N-3323-71FSWH-FM | N-3380-59FSWH-FM N-3381-63FSWH-FM | N-3400-63FSWH-FM N-3401-67FSWH-FM | N-3420-59FSWH-FM N-3421-63FSWH-FM |
| | | | | | | |
| N-3440-58FSWH-FM N-3441-62FSWH-FM | N-3460-62FSWH-FM | N-3480-62FSWH-FM | N-3500-59FSWH-FM N-3501-63FSWH-FM | N-3520-62FSWH-FM N-3521-65FSWH-FM | N-3540-59FSWH-FM N-3541-62FSWH-FM | N-3600-63FSWH-FM N-3601-67FSWH-FM |
| | | | | | | |
| N-3620-53FSWH-FM N-3621-60FSWH-FM N-3622-58FSWH-FM N-3623-65FSWH-FM | | | | | | |



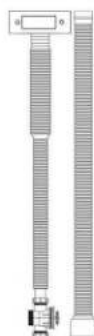
MODEL:
D1040C-XX

| | | | | | | |
|------------------------------------|------------------------------------|---|--------------------------------------|--------------------------------------|--|--------------------------------------|
| | | | | | | |
| N-720-60FSWH-FM N-721-67FSWH-FM | N-740-67FSWH-FM N-741-63FSWH-FM | N-280-59FSWH-FM N-281-67FSWH-FM N-282-63FSWH-FM | N-1160-59FSWH-FM N-1161-59FSWH-FM | N-1420-67FSWH-FM | N-1520-61FSWH-FM N-1521-65FSWH-FM N-1522-69FSWH-FM | N-1060-59FSWH-FM N-1061-67FSWH-FM |
| | | | | | | |
| N-1800-67FSWH-FM | N-2040-51FSWH-FM | N-2060-59FSWH-FM | N-2120-59FSWH-FM | N-3340-59FSWH-FM N-3341-63FSWH-FM | N-3560-61FSWH-FM N-3561-65FSWH-FM | |

For a full drain and model compatibility list, please visit our website, www.streamlinebath.com, and search for the model that you are interested in in the upper right-hand corner of the website.

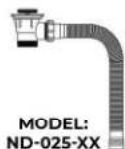
DRAIN MODEL COMPATIBILITY

FREESTANDING BATHTUB



**MODEL:
D1845-XX**

(MODEL DOES NOT
COME WITH AN OVERFLOW
COVER BY DESIGN)

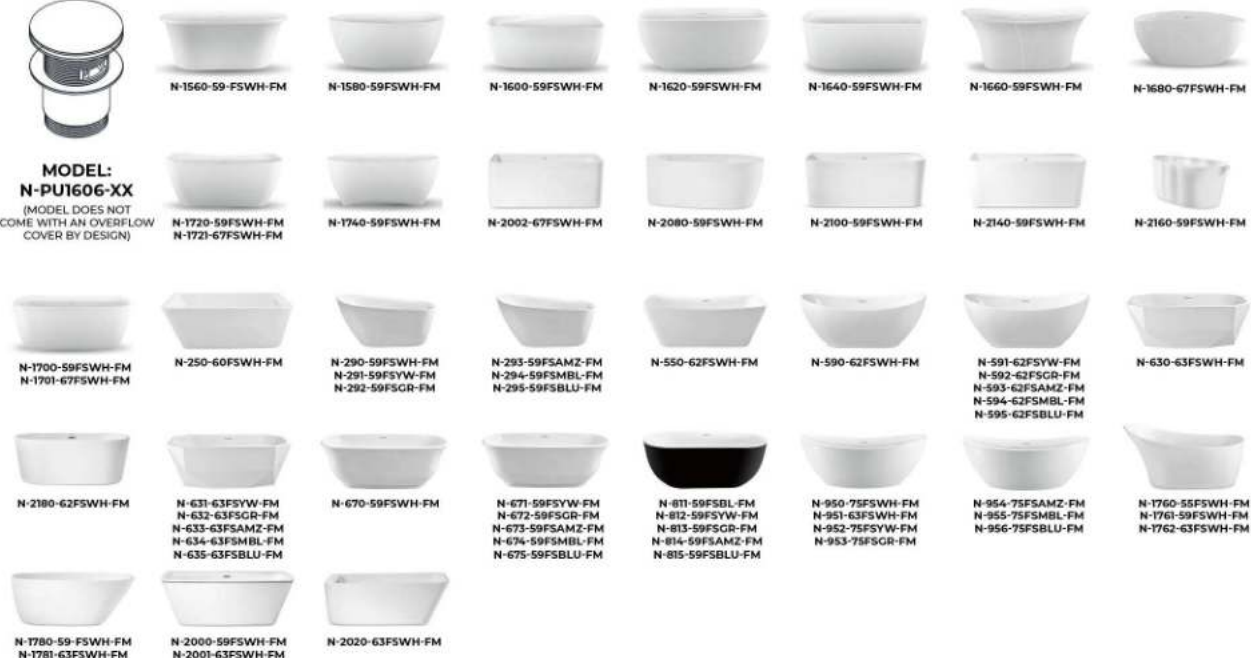


**MODEL:
ND-025-XX**



**MODEL:
N-PU1606-XX**

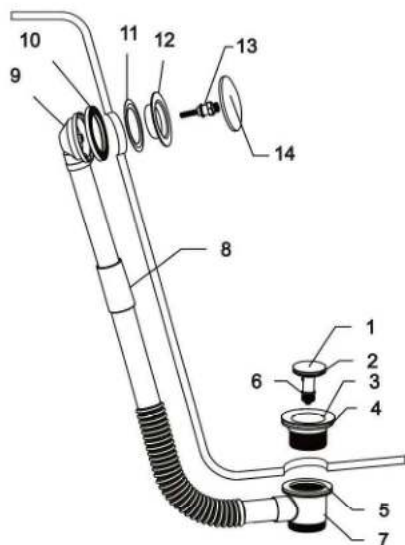
(MODEL DOES NOT
COME WITH AN OVERFLOW
COVER BY DESIGN)



For a full drain and model compatibility list, please visit our website, www.streamlinebath.com, and search for the model that you are interested in in the upper right-hand corner of the website.

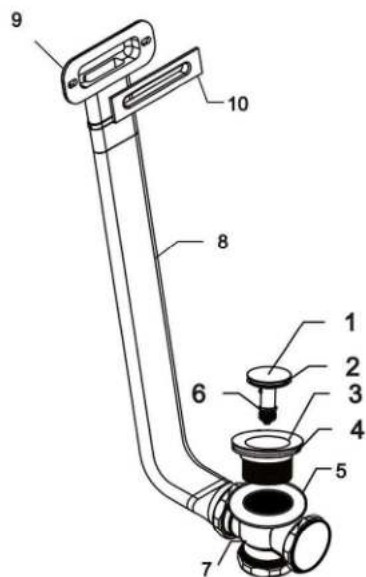
DRAIN DIAGRAMS

MODEL: D1040C-XX



| NO. | ITEM | QTY. |
|-----|---------------------|------|
| 1 | Pop-Up Cover | 1 |
| 2 | O Ring | 1 |
| 3 | Strainer | 1 |
| 4 | Upper Rubber Gasket | 1 |
| 5 | Lower Rubber Gasket | 1 |
| 6 | Cartridge | 1 |
| 7 | Drain Tee | 1 |
| 8 | Coupling Pipe | 1 |
| 9 | Overflow Body | 1 |
| 10 | Backside Gasket | 1 |
| 11 | Frontside Gasket | 1 |
| 12 | Strainer | 1 |
| 13 | Pin Bolt | 1 |
| 14 | Overflow Plate | 1 |

MODEL: D1040F-XX



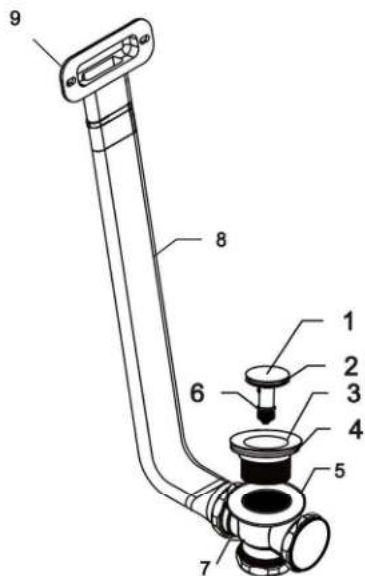
| NO. | ITEM | QTY. |
|-----|---------------------|------|
| 1 | Pop-Up Cover | 1 |
| 2 | O Ring | 1 |
| 3 | Strainer | 1 |
| 4 | Upper Rubber Gasket | 1 |
| 5 | Lower Rubber Gasket | 1 |
| 6 | Cartridge | 1 |
| 7 | Drain Tee | 1 |
| 8 | Coupling Pipe | 1 |
| 9 | Overflow Body | 1 |
| 10 | Overflow Plate | 1 |

**XX REPRESENTS DIFFERENT COLORS OF THE ITEM

DRAIN DIAGRAMS

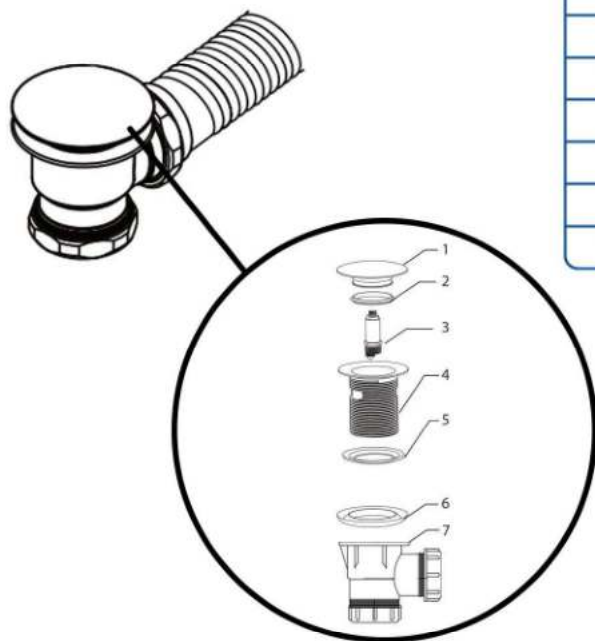
MODEL: D1845-XX

(MODEL DOES NOT COME WITH AN OVERFLOW COVER BY DESIGN)



| NO. | ITEM | QTY. |
|-----|---------------------|------|
| 1 | Pop-Up Cover | 1 |
| 2 | O Ring | 1 |
| 3 | Strainer | 1 |
| 4 | Upper Rubber Gasket | 1 |
| 5 | Lower Rubber Gasket | 1 |
| 6 | Cartridge | 1 |
| 7 | Drain Tee | 1 |
| 8 | Coupling Pipe | 1 |
| 9 | Overflow Body | 1 |

MODEL: ND-025-XX



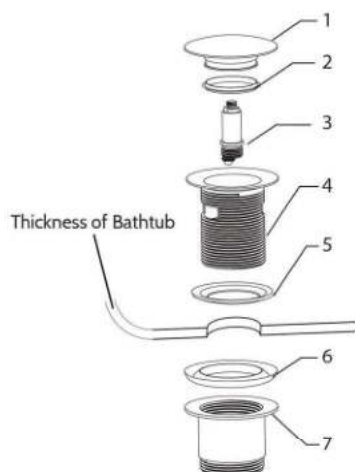
| NO. | ITEM | QTY. |
|-----|--------------|------|
| 1 | Pop-Up Cover | 1 |
| 2 | O Ring | 1 |
| 3 | Cartridge | 1 |
| 4 | Strainer | 1 |
| 5 | Upper Gasket | 1 |
| 6 | Lower Gasket | 1 |
| 7 | Drain Tee | 1 |

**XX REPRESENTS DIFFERENT COLORS OF THE ITEM

DRAIN DIAGRAMS

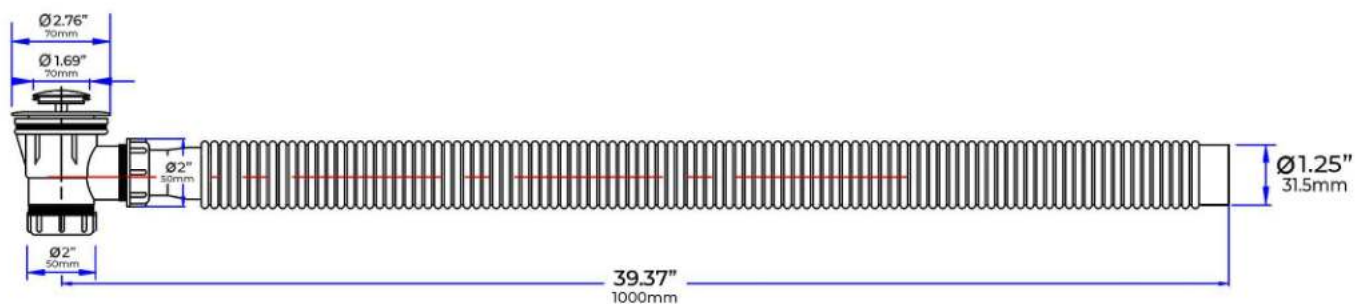
MODEL: N-PU1606-XX

(MODEL DOES NOT COME WITH AN OVERFLOW COVER BY DESIGN)



| NO. | ITEM | QTY. |
|-----|--------------|------|
| 1 | Pop-Up Cover | 1 |
| 2 | O Ring | 1 |
| 3 | Cartridge | 1 |
| 4 | Strainer | 1 |
| 5 | Upper Gasket | 1 |
| 6 | Lower Gasket | 1 |
| 7 | Drain Tee | 1 |

ND-025-XX



**XX REPRESENTS DIFFERENT COLORS OF THE ITEM