

Owner's Manual & Installation Guide

Clawfoot Bathtubs



- Please read all instructions carefully before proceeding with installation.
- Due to the complexity of the installation procedure a professional plumber is required.
- Specifications and directions may change without notice.

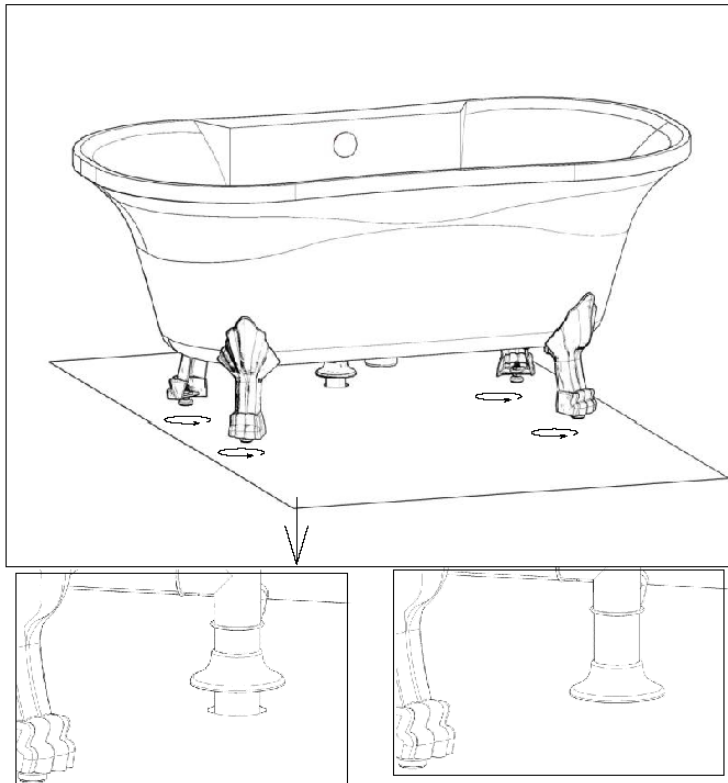
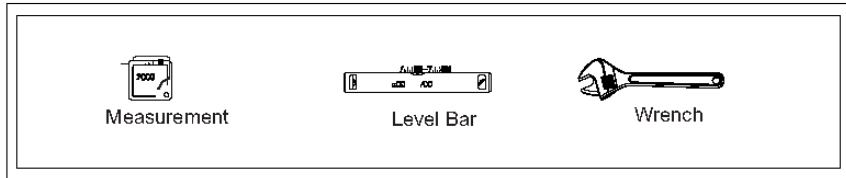
Table of Contents:

1. Installation Guide Applicable Bathtub Models	1
2. External Drain Configuration	2
3. External Drain and Overflow Installation	3
4. Internal Drain Configuration.....	4
5. Internal Drain Installation	5
6. Clawfeet Configuration, Installation, and Replacement	6
7. Deck Mount Faucet Capability.....	7
8. Bathtub Installation	8
9. Product Care and Maintenance	9

Product Care and Maintenance

- In order to clean the bathtub, please only use soft cotton cloth or soft sponge.
- Never use acidic, alkali, or any products that state on their label that they are not suitable for use on Acrylic, ABS, Polystyrene or Plastic to clean the bathtub.
- To clean inside, fill it with warm water and add a couple of squirts of dish liquid. Allow it to sit for 30 minutes. Let the bathtub drain and wipe away the residue. You can also use cleaning products in aerosol cans or solvents, including acetone to deep clean.
- To remove light marks / scratches apply toothpaste to the area and scrub with soft cloth/sponge.

Bathtub Installation



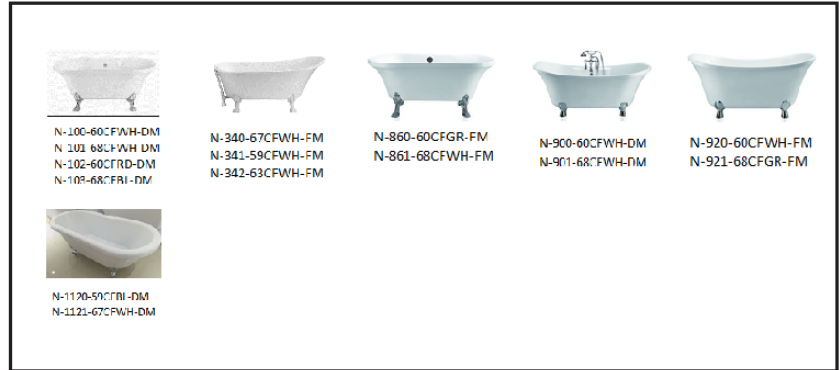
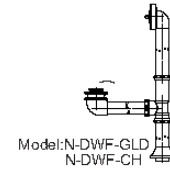
1. Lift the bathtub and fit the drain pipe with the floor waste drain.
2. Pull the waste pipe and put it into floor drain.
3. Pull the flange to cover the floor drain.
4. Adjust the leveling feet to level the tub with the floor.



Installation Guide Applicable Bathtub Models

Drain Models N-DWF-GLD and N-DWF-CH are used with below bathtub models

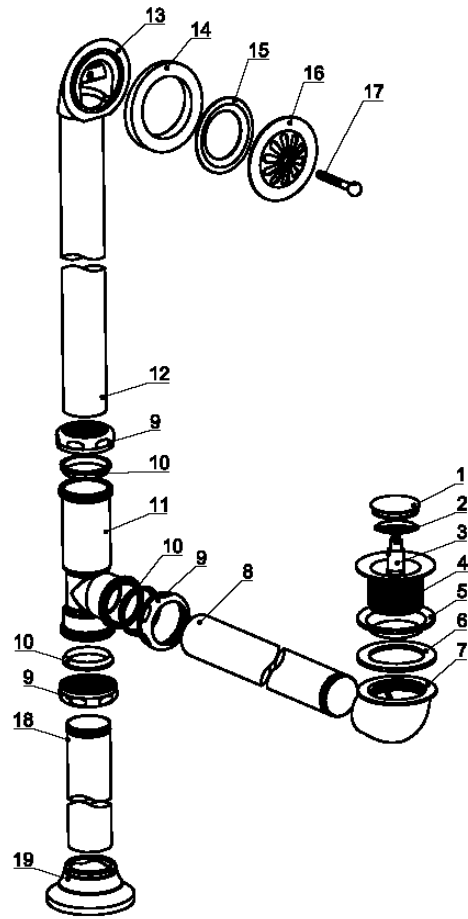
Clawfoot Bathtub



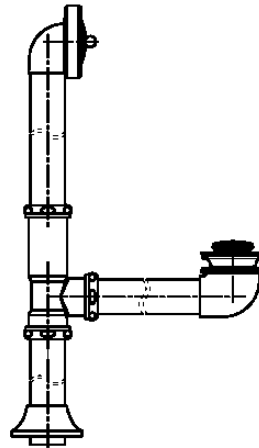
Drain Models A1840-0 are used with below bathtub models



External Drain Configuration



Model: N-DWF-GLD
N-DWF-CH

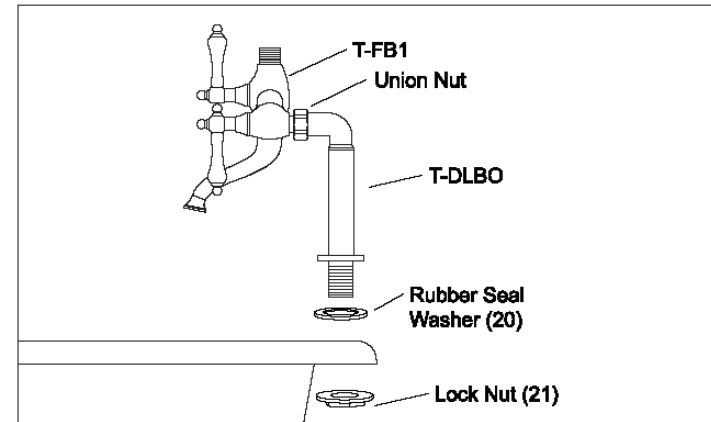


No	ITEM	Qty
1	Cover	1
2	Cover gasket	1
3	Cartridge	1
4	Strainer	1
5	Waste upper gasket	1
6	Waste lower gasket	1
7	Connector	1
8	Coupling nut	1
9	Nut	1
10	Washer	3
11	Tee	3
12	Pipe	1
13	Overflow body	1
14	Tapered rubber gasket	1
15	Overflow upper gasket	1
16	Overflow plate	1
17	Pin bolt	1
18	Talc piece	1
19	Flange	1

Deck Mount Faucet Capability

These Bathtubs are Deck Mount Faucet Capable with Additional Alterations:

N-100-60CFWH-DM



Step 1:

If your tub does not have faucet holes use 1" hole saw and drill holes in the deck centered across the overflow hole on 8" centers.

Step 2:

Insert faucet through holes in tub rim with #20 seal washer above the deck and secure with #21 lock nut.

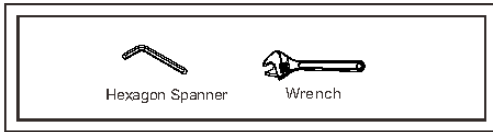
Note:

Faucet is not provided. These instructions simply show how to prepare your bathtub for deck mount faucet if it has that capability.

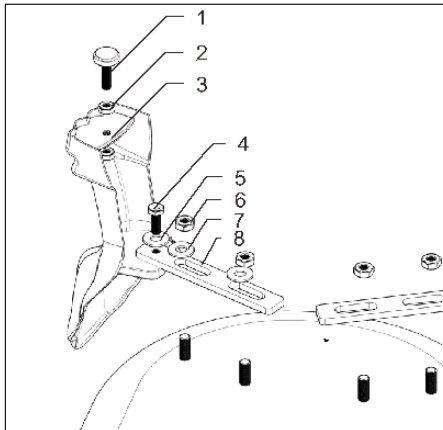
Please ensure all local plumbing and building codes are observed when installing these faucets.

Water supply lines must be roughed in at 8" centers.

Clawfeet Configuration, Installation, and Replacement



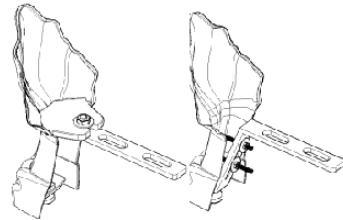
Bathtub is pictured upside down



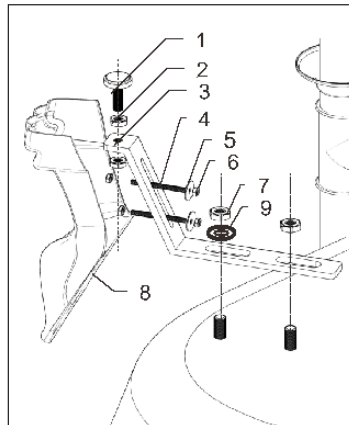
Applicable models :

- N-CFL1775-CH
- N-CFL1775-WH
- N-CFL1775-BL
- N-CFL1775-GLD
- N-CFL1912-CH
- N-CFL1912-WH
- N-CFL1912-BL
- N-CFL1912-GLD

No.	ITEM	Qty
1	Adjustable feet	1
2	Nut	3
3	Claw feet	1
4	Bolt	1
5	Washer	2
6	Nut	2
7	Washer	4
8	Metal plate	1



Bathtub is pictured upside down

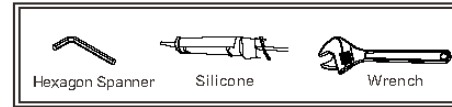


Applicable models:

- N-CFL11601-CH
- N-CFL11601-BL
- N-CFL11601-GLD
- N-CFL11601-WH

No.	ITEM	Qty
1	Adjustable feet	1
2	Nut	3
3	Metal plate	1
4	Bolt	1
5	Washer	4
6	Nut	4
7	Nuts	2
8	Claw feet	1
9	Washer	4

External Drain and Overflow Installation



Model:N-DWF-GLD

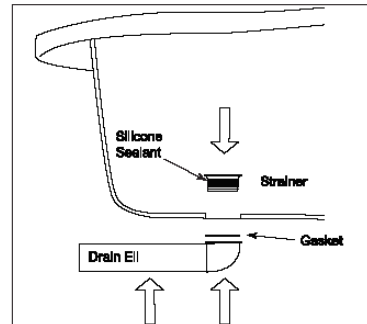


FIGURE 1 Connect strainer to drain ell

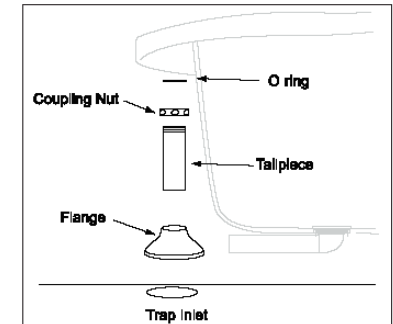


FIGURE 2 Connect tailpiece to trap inlet

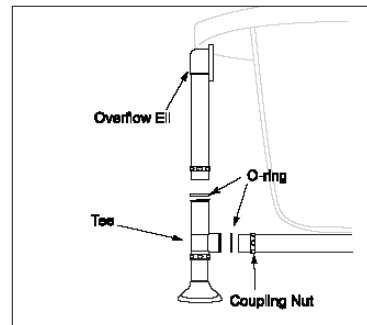


FIGURE 3 Assemble tee section

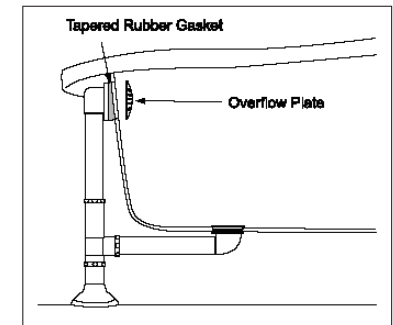
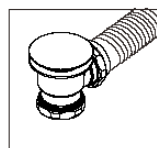
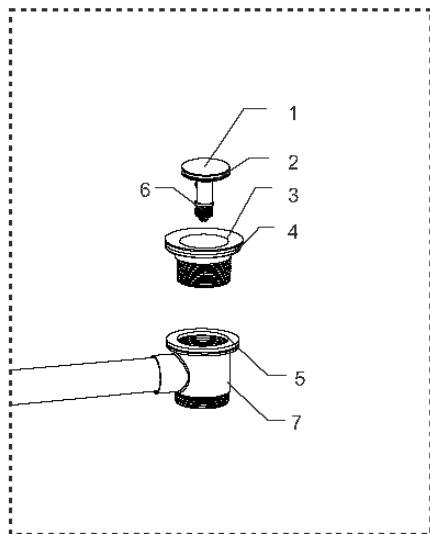


FIGURE 4 Secure drain to tub with overflow plate

1. Connect Drain Strainer & Drain Ell. Use silicone sealant. **DO NOT** use plumbers putty to seal.
2. Insert tailpiece into trap inlet. The tailpiece may need to be cut for proper fit. 1"- 2" of the tail piece should fit inside the trap. Slip the flange over the tailpiece and slide down to floor.
3. Assemble tee section to Tailpiece, overflow ell and drain ell using coupling nuts and O-rings that are provided.
4. Attach the tapered rubber gasket to the overflow ell. Align the overflow ell with the overflow hole and secure drain to the tub with overflow plate and screw provided.
5. Make sure a watertight seal exists on all bath drain connections.

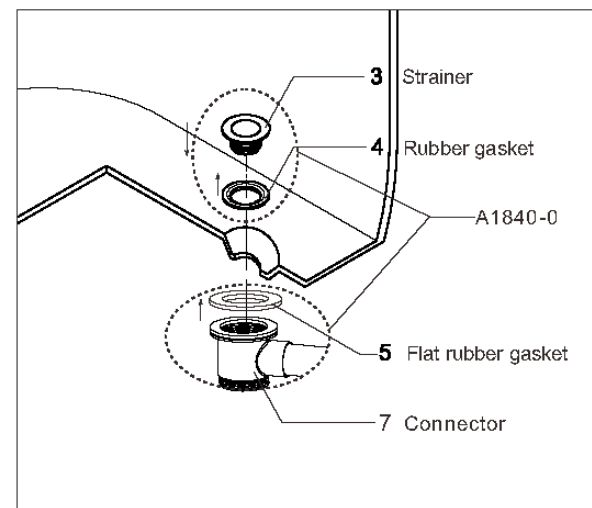
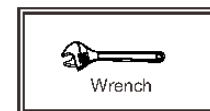
Internal Drain Configuration



Model: A1840-0

No.	ITEM	Qty
1	Pop-up cover	1
2	O ring	1
3	Strainer	1
4	Rubber gasket	1
5	Flat rubber gasket	1
6	Cartridge	1
7	Connector	1

Internal Drain Installation



1. Put Rubber gasket (Part 4) onto Strainer (Part 3).
2. Put Rubber gasket and Strainer through the pre-drilled drain hole.
3. Put Flat rubber gasket (Part 5) on the Connector (Part 7).
4. Connect Connector with the Flat Rubber Gasket with the Strainer and Rubber Gasket and tighten them by hand. Then use a wrench to tighten the Connector (Part 7).