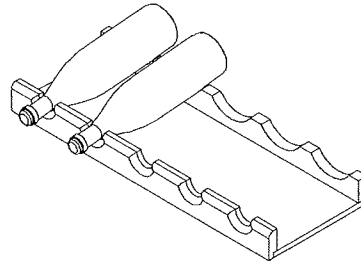




## BOTTLE RACK



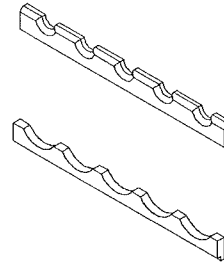
### **Important Notes**

- Always read the instructions completely and carefully before beginning assembly.
- Remove and check contents for damage and/or missing parts. Keep the original carton and packing materials, which are required for any authorized adjustment by our dealers.

## Parts List

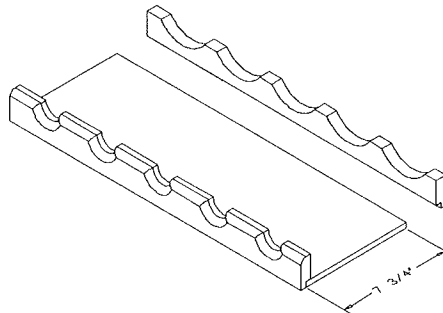
1 EA.- BOTTLE RACK FRONT

1 EA.- BOTTLE RACK BACK



## Installation Instructions

- Step 1:** Trim Bottle Rack (on each end to keep centered) to match the length of shelf it will be placed on.
- Step 2:** Attach the Front and Back to a 3/8" x 7 3/4" piece of plywood or MDF that matches the length of the Bottle Rack.



- Step 3:** The Bottle Rack can now be attached to a shelf, placed on a counter, or attached to the top of a cabinet.