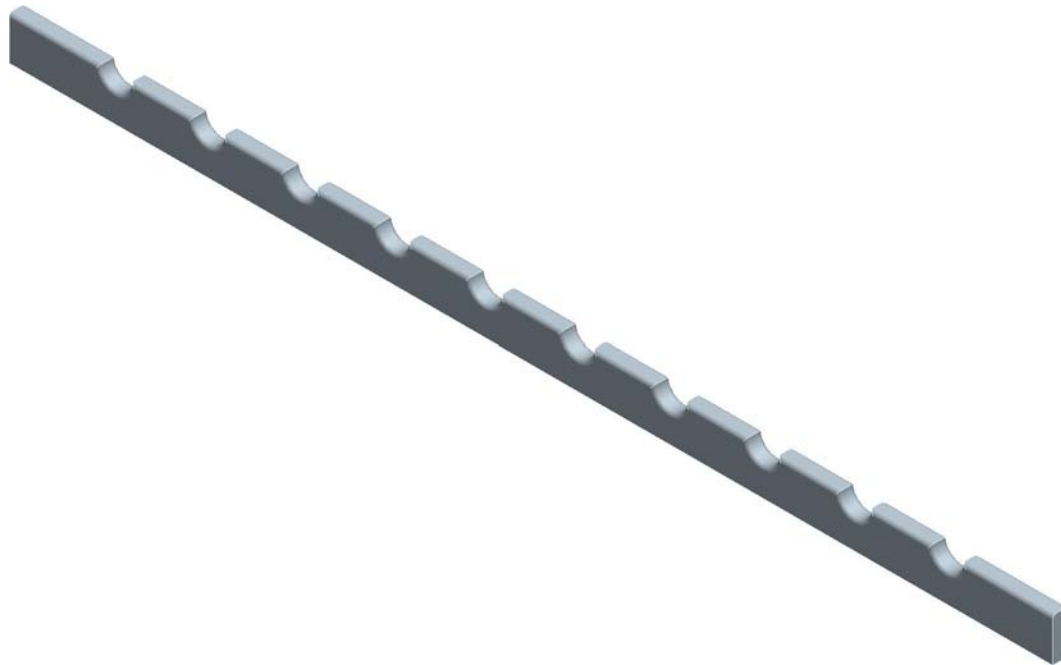
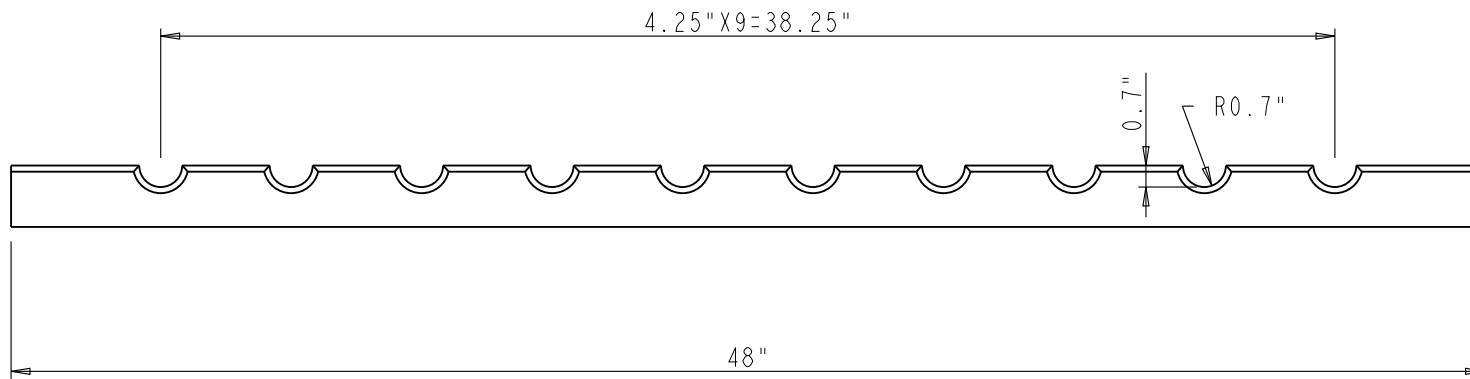


Contents of Box:
 1-Large Scalloped Rail
 1-Small Scalloped Rail
 2-Adhesive Strips
 (38x19x1.2mm 双面胶)

HARDWARE HR 4319 MARLENA ST. BOSSIER CITY, LA 71111 RESOURCES PROPRIETARY AND CONFIDENTIAL THE INFORMATION CONTAINED IN THIS DRAWING IS THE SOLE PROPERTY OF HARDWARE RESOURCES INC. ANY REPRODUCTION IN PART OR AS A WHOLE WITHOUT THE WRITTEN PERMISSION OF HARDWARE RESOURCES INC. IS PROHIBITED	ITEM: BR48-LARGE	MATERIAL: Hard Maple
	FINISH:	WEIGHT: g
TOLERANCE UNLESS OTHERWISE SPECIFIED: X : MM ±0.20 X X : MM ±0.10 X X X : MM ±0.05 ANGULAR: ±0.5° DO NOT SCALE DRAWING	UNIT: SIZE:	PROJECTION:
	DRAWN BY: alan.liu	DATE:
	CHECKED BY:	DATE:
	APPROVED BY:	DATE:



HARDWARE HR 4319 MARLENA ST. BOSSIER CITY, LA 71111 RESOURCES PROPRIETARY AND CONFIDENTIAL THE INFORMATION CONTAINED IN THIS DRAWING IS THE SOLE PROPERTY OF HARDWARE RESOURCES INC. ANY REPRODUCTION IN PART OR AS A WHOLE WITHOUT THE WRITTEN PERMISSION OF HARDWARE RESOURCES INC. IS PROHIBITED	ITEM: BR48-SMALL	MATERIAL:
	FINISH:	WEIGHT: 9
TOLERANCE UNLESS OTHERWISE SPECIFIED: X : MM ±0.20 X.X : MM ±0.10 X.XX : MM ±0.05 ANGULAR : ±0.5° DO NOT SCALE DRAWING	UNIT:	DRAWN BY: <i>alan.liu</i>
SIZE:	CHECKED BY:	DATE:
APPROVED BY:		DATE: